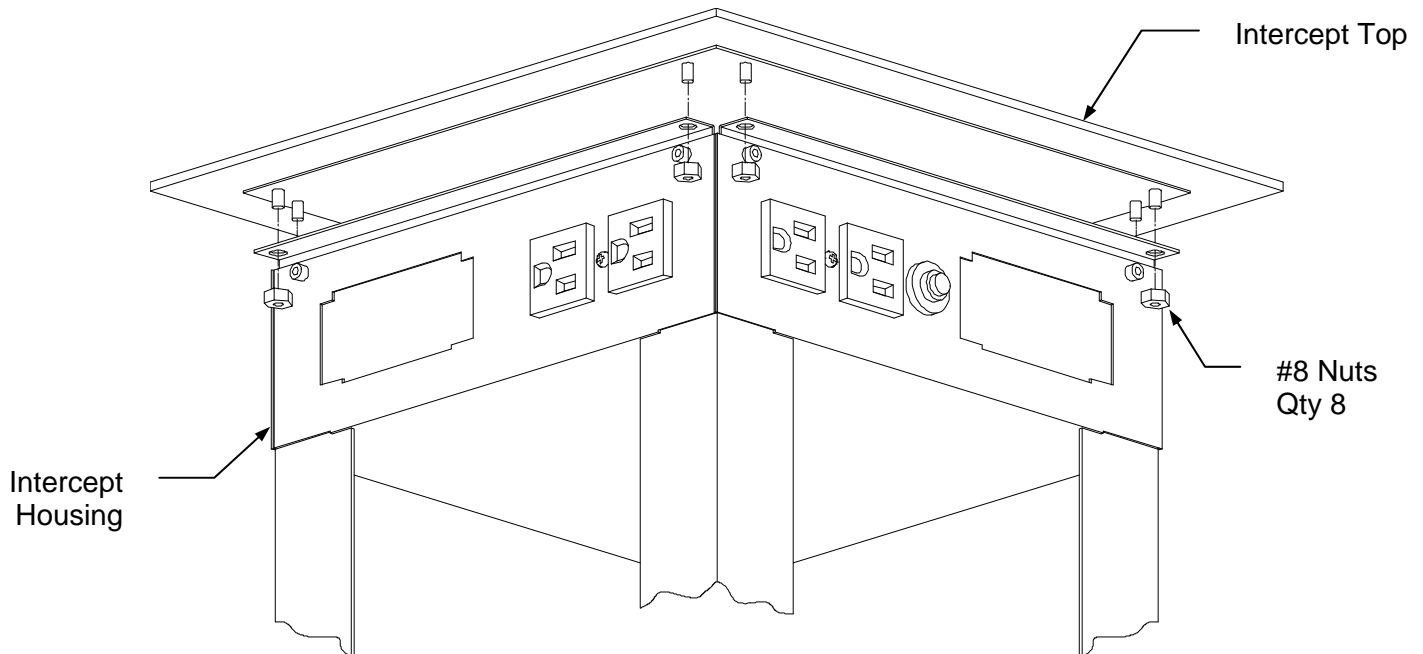

Intercept Top Installation Instructions



Installation Instructions

1. Replace the current Intercept Inner Pan Flanges with the shorter Flanges that come with this kit.
2. Follow Intercept Installation Instructions to adjust shorter Flanges for table thickness.
3. Install Intercept into table as directed in Intercept Installation Instructions.
4. Place Intercept Top onto Intercept Housing as shown in diagram above.
5. Install #8 nuts (qty 8) onto threaded studs to secure Intercept Top in place.

Innovative Power + Data Solutions

ECA • 10 Mountain View Drive • Shelton, CT 06484 • Phone: 1-800-521-3175 • Fax: 203-924-6687

www.electri-cable.com