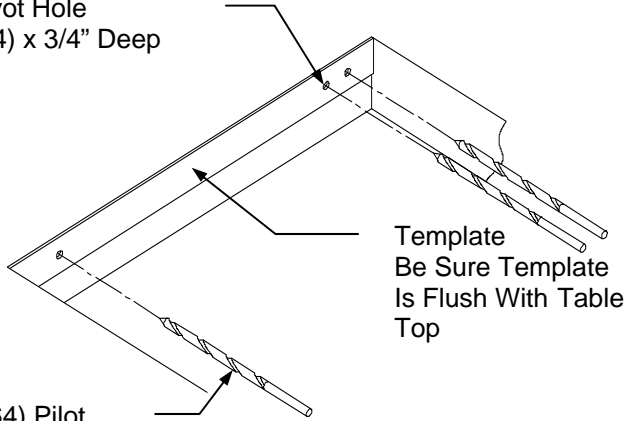


Interface G2 UT & Interact G2 UT Trim Pivot Kit Installation Sheet

Hole #3, Pivot Hole
 $\varnothing .20$ (13/64) x 3/4" Deep
 Both Sides



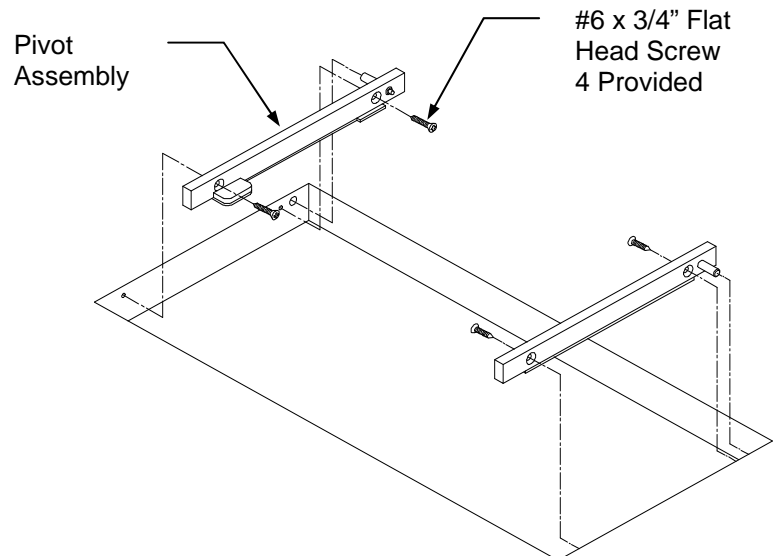
$\varnothing .10$ (7/64) Pilot
 Drill
 3 Places

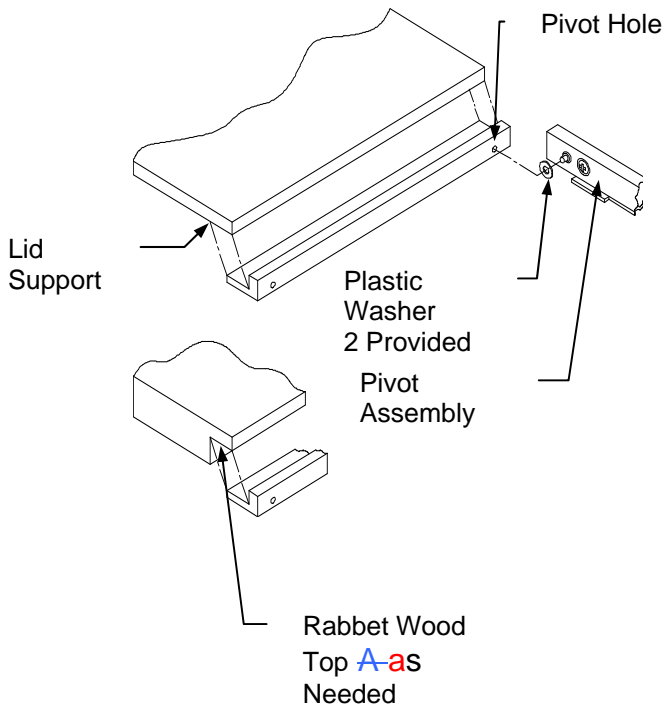
Step 1 : Table Preparation

- 1a. Cutout table, where Interface I UT will be mounted, to size 13-3/4" x 6-3/8". Dimension is finish surface to finish surface.
- 1b. Cutout table, where Interact UT will be mounted, to size 8" x 4-1/2". Dimension is finish surface to finish surface
2. Using template provided drill three $\varnothing .10$ " (7/64) pilot holes into both cutout sides as shown. Hole #3 is the hinge side. Drill all holes 3/4" deep.
 NOTE: Use care to ensure template is flush with top of table and drill doesn't pierce table surface
3. Remove template and enlarge hole #3 for pivot pin clearance, $\varnothing .20$ (13/64). NOTE: Use care not to pierce table surface.

Step 2 : Mounting Pivot Assemblies

1. Determine position of each Pivot Assembly and locate the four #6 x 3/4" flat head screws provided.
2. Insert pivot pin into hole three on either side of cutout and attach Pivot Assembly to side of cutout with two #6 screws as shown. NOTE: Use care when tightening screws to ensure table surface isn't damaged during installation.
3. Mount other Pivot Assembly to other side of cutout as shown.





Step 3 : Lid Assembly & Installation

1. Remove red liner from adhesive on Lid Support and adhere to lid as shown. NOTE: Lid must be 1/4" thick at point of mounting, rabbet wood lids as needed. Top size is 12-13/16" x 5-3/4" for Interface & 7-1/16" x 3-7/8" for Interact, Recommended max top thickness 3/4".
2. Check lid to clearance between pivots, between 1/32" & 1/16" total is sufficient for proper operation. If more or less clearance is needed remove Pivot Assembly and extend or retract pivot pin as needed.
3. Place plastic washer over pivot pin and engage one side into Lid Support pivot hole.
4. Using small screwdriver depress remaining pivot pin and repeat step 3 for other side. NOTE: Use care not to scratch finish surface. Once lid is in place removal from table requires complete disassembly, which can damage lid and/or table.
5. Test lid for proper operation.