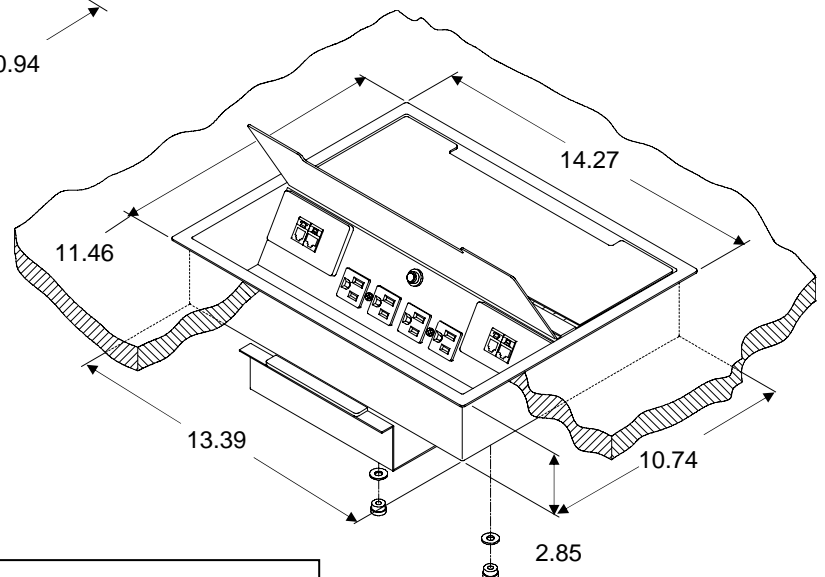
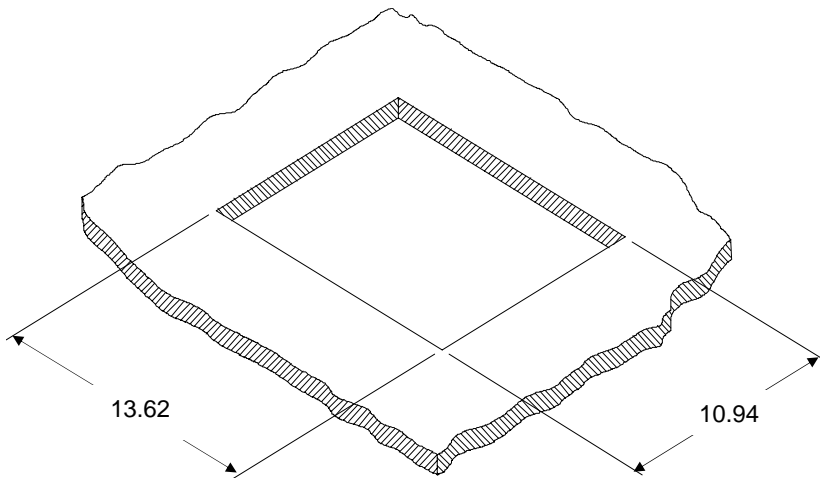


Interface II TT Installation Instructions



Installation Instructions

1. Select the location on the table surface for the installation of the Interface
2. Remove a section of the surface measuring 13-5/8" x 10-15/16".
3. Remove the Clamping Bracket from the underside of the Interface by removing the thumb-nuts and washers
4. Insert the Interface through the opening in the table surface until flange is flat on surface
5. From the underside of the table surface slide the Clamping Bracket over the threaded studs and secure to bottom of table surface with thumb nuts and washers. Tighten until Interface is snug.
6. Attach the power supply cord. - CAUTION: Test each outlet for continuity and grounding prior to use
7. Connect Tel-Com as needed and snap plates into cutouts of Interface.

Innovative Power + Data Solutions

ECA • 10 Mountain View Drive • Shelton, CT 06484 • Phone: 1-800-521-3175 • Fax: 203-924-6687

www.electri-cable.com