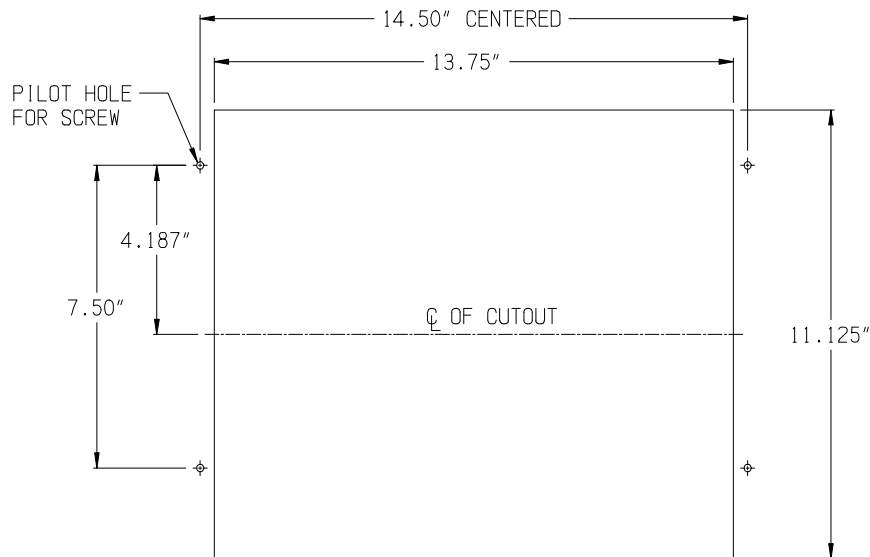
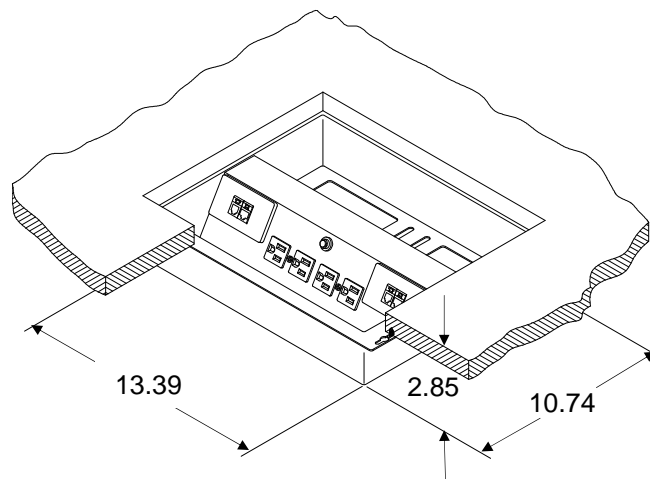


INTERFACE II UT Installation Instructions



Recommended Table Cutout



Installation Instructions

1. Use Table Cutout above for cutout size and screw locations.
2. Mount Interface utilizing keyholes and slide into position.
3. Fabricate top as required.

Innovative Power + Data Solutions

ECA • 10 Mountain View Drive • Shelton, CT 06484 • Phone: 1-800-521-3175 • Fax: 203-924-6687

www.electri-cable.com