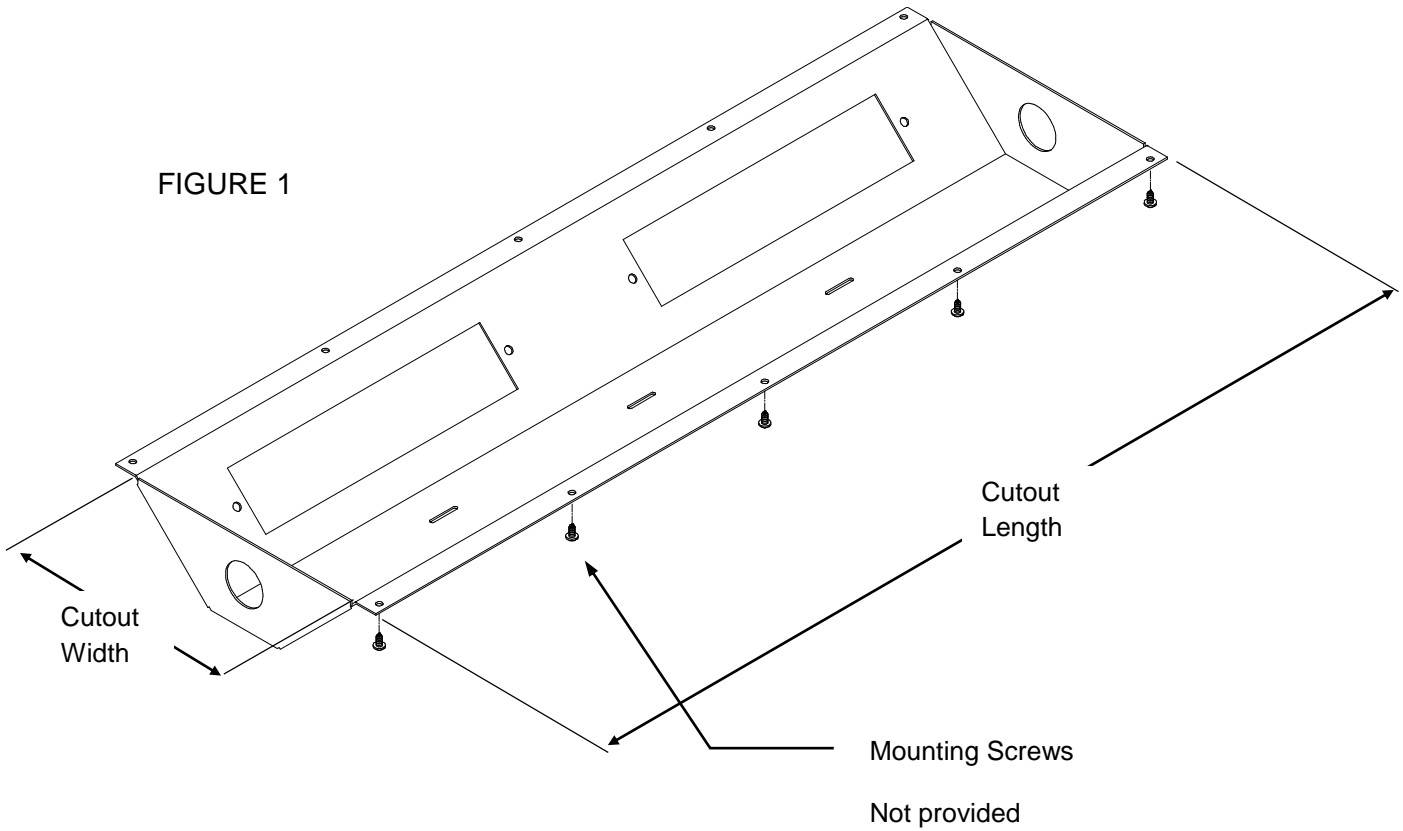


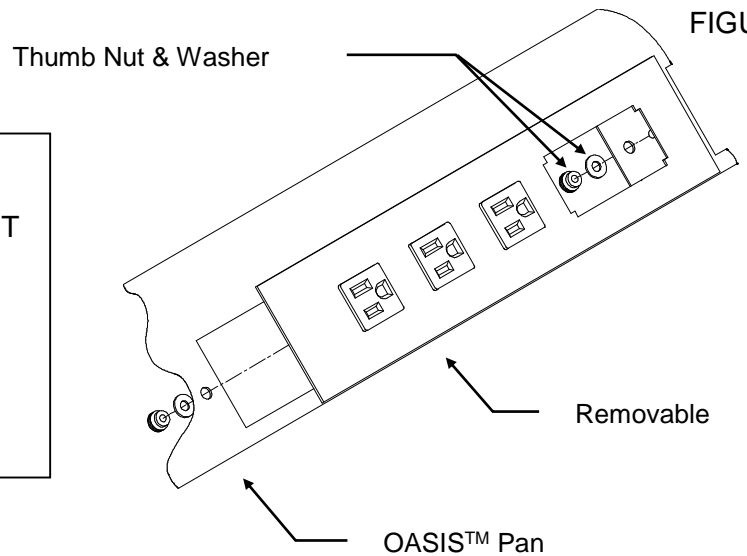
# OASIS™ UT & OASIS™ MINI UT Table Trough Installation Sheet

FIGURE 1



CUTOUT SIZES		
	Oasis UT	Oasis Mini UT
Cutout Width	8.25	8.25
Cutout Length	29.12	14.12

FIGURE 2




# OASIS™ UT & OASIS™ MINI UT Table Trough Installation Sheet



## Installation Instructions

1. Cutout table as required (see Figure 1 & Cutout Sizes)
2. Center OASIS™ UT on cutout from below and mount with screws as shown, not provided.
3. OASIS™ Inserts may have been installed at the factory but may be repositioned in the field if desired. To reposition OASIS™ Inserts remove thumb nuts & washers from rear and reposition as needed (see Figure 2).  
Note: Disconnecting ground tether may be required.
4. Connect all power & data cabling as needed and check for proper operation.
5. Attach Outer Pan (optional) to underside of table if desired.

*Plug into an appropriate outlet that is properly installed and grounded in accordance with all local codes and regulations.*

Recycled Content Information 				
	Oasis A UT	Oasis B UT	Oasis Mini A UT	Oasis Mini B UT
Post-Consumer Content	21.00%	17.20%	17.10%	20.00%
Pre-Consumer Content	5.30%	4.30%	4.30%	5.00%
Total % qualifying toward LEED®	23.60%	19.30%	19.20%	22.50%