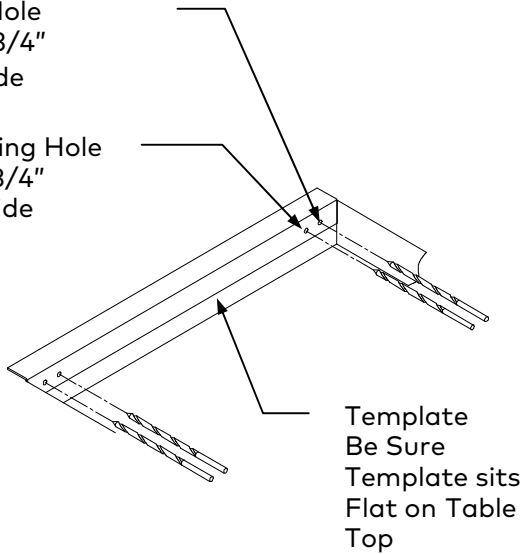


# Oasis UT Trim Pivot Kit Installation Sheet

Hole #2, Pivot Hole  
Ø .20 (13/64) x 3/4"  
Deep 2 Each Side

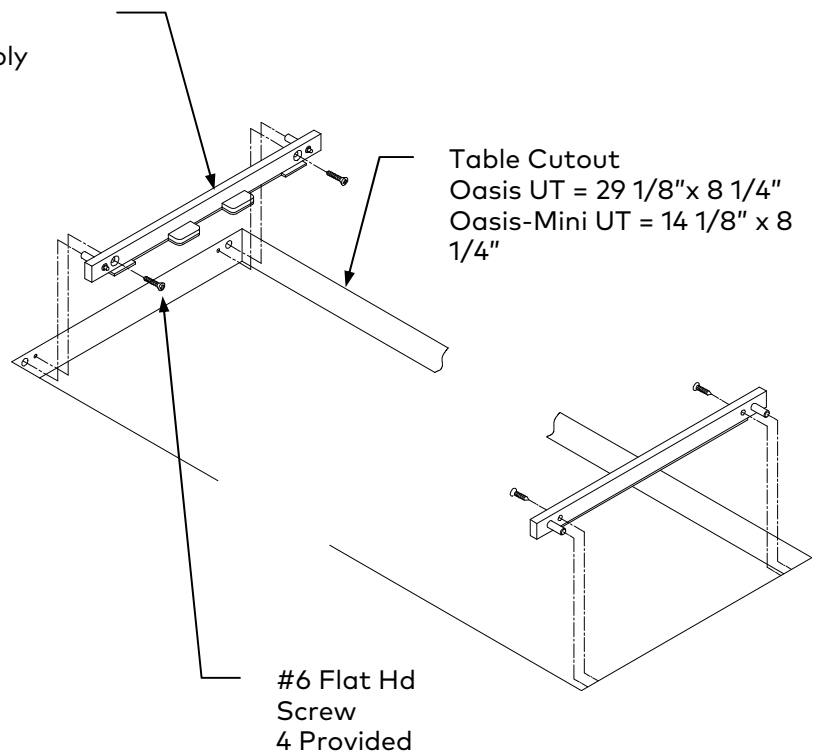
Hole #1 Mounting Hole  
Ø .10 (7/64) x 3/4"  
Deep 2 Each Side



## Step 1 : Table Preparation

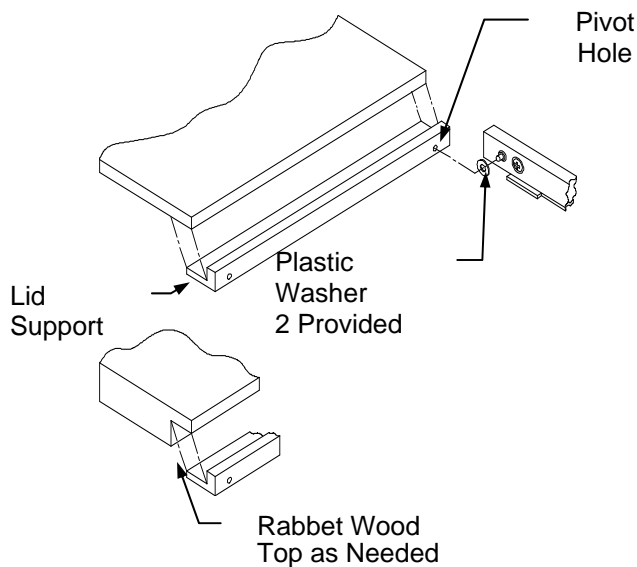
1. Cutout table, where Oasis UT will be mounted, to size 29 1/8" x 8 1/4" for Oasis UT or 14 1/8" x 8 1/4" for Oasis-Mini UT. Dimension is finish surface to finish surface.
2. Using template provided drill two Ø.10" (7/64) pilot holes (Hole #1) into both cutout sides as shown. Then drill two Ø.20 (13/64) pivot holes (Hole #2) into each cutout side as shown for the hinge pivot pin. Drill all holes 3/4" deep. NOTE: Use care to ensure template sits flat on top of table and drill doesn't pierce table surface.

Pivot  
Assembly



## Step 2 : Mounting Pivot Assemblies

1. Determine position of each Pivot Assembly and locate the two #6 x 3/4" flat head screws per side, provided.
2. Insert pivot pins into #2 holes on either side of cutout and attach Pivot Assembly to side of cutout with two screws as shown. NOTE: Use care when tightening screws to ensure table surface isn't damaged during installation.
3. Mount other Pivot Assembly to other side of cutout as shown.



### Step 3 : Lid Assembly & Installation

1. Remove red liner from adhesive on Lid Support and adhere to lid as shown. NOTE: Lid must be 1/4" thick at point of mounting, rabbit wood lids as needed. Top size (2 required):  
 Oasis UT = 28 1/8" x 3 5/8" Oasis-Mini UT = 13 1/8" x 3 5/8"  
 Max recommended thickness 3/4"
2. Check lid for clearance between pivots, between 1/32" & 1/16" total is sufficient for proper operation. If more or less clearance is needed remove Pivot Assembly and extend or retract pivot pin as needed.
3. Place plastic washer over pivot pin and engage one side into Lid Support pivot hole.
4. Using small screwdriver depress opposing pivot pin and repeat step 3 for other side. NOTE: Use care not to scratch finish surface. Once lid is in place removal from table requires complete disassembly, which can damage lid and/or table.