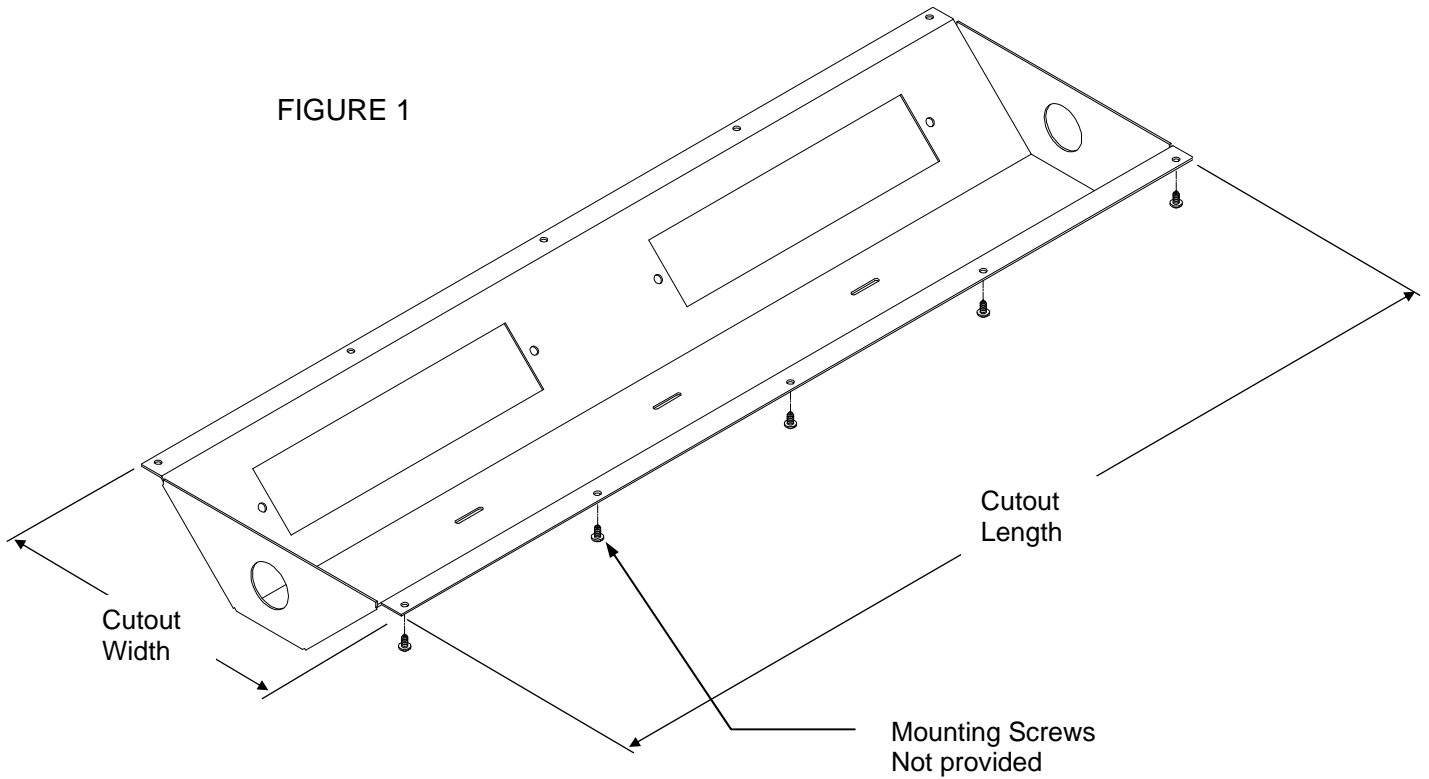


# OASIS™ UT & OASIS™ MINI UT Table Trough Installation Sheet

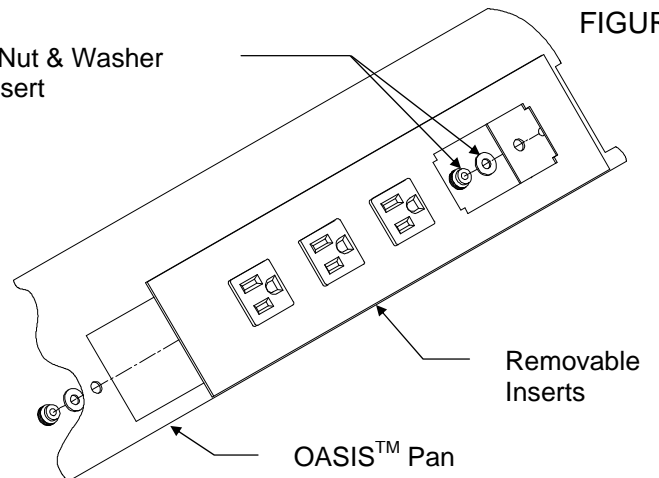
FIGURE 1



CUTOUT SIZES		
	Oasis UT	Oasis Mini UT
Cutout Width	8.25	8.25
Cutout Length	29.12	14.12

Thumb Nut & Washer  
2 Per Insert

FIGURE 2



## **Installation Instructions**

1. Cutout table as required (see Figure 1 & Cutout Sizes)
2. Center OASIS™ UT on cutout from below and mount with screws as shown, not provided.
3. OASIS™ Inserts may have been installed at the factory but may be repositioned in the field if desired. To reposition OASIS™ Inserts remove thumb nuts & washers from rear and reposition as needed (see Figure 2). Note: Disconnecting ground tether may be required.
4. Connect all power & data cabling as needed and check for proper operation.
5. Attach Outer Pan (optional) to underside of table if desired.