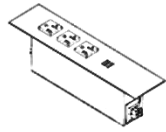


OASIS INSERT INSTALLATION

Components & Hardware



(A) Insert, Qty. 1



(B) Safety cover, Qty. 1
(42 system only)

Tools Needed



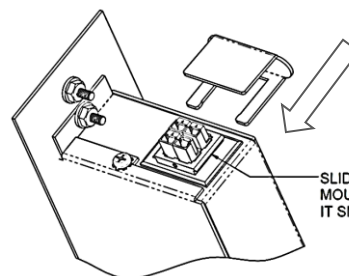
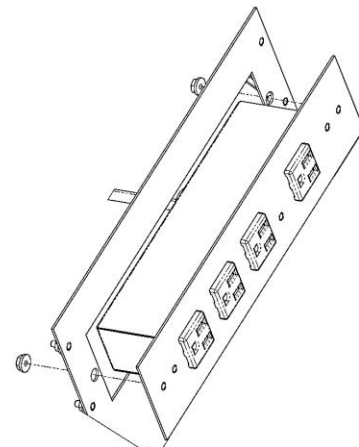
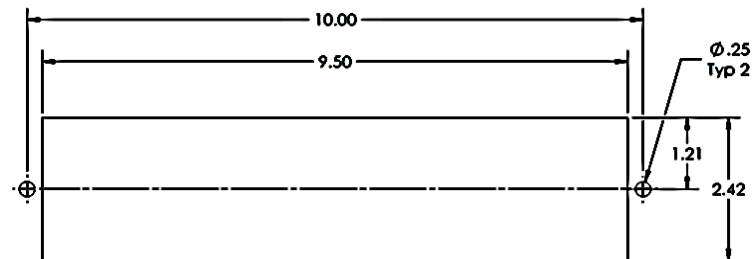
Note for system 42 inserts only: Use only Electri-Cable Assemblies System 42 Cables. ECA System 42 connectors have been evaluated to prevent inadvertent contact with live parts. Connector openings are not required to be covered; however a cover is provided for use if desired, see number 4 below.

Note: A licensed electrician should make the hardwire connections. For use on dry work surfaces or furniture only. No serviceable parts, do not disassemble.

Plug into an appropriate outlet that is properly installed and grounded in accordance with all local codes and regulations.

Installation Instructions:

- 1- Provide cutout as shown (Note: the same cutout is used for both Oasis Inserts). Oasis Insert is to be mounted perpendicular, or off angle to work surface, do not mount flat to work surface.
- 2- Place Oasis Insert (A) into cutout as shown and secure with provided nuts, as shown.
- 3- Make data connections if required. Plug in Oasis Insert as needed.
- 4- Slide safety cover (B) onto open male cable mount if desired, see Detail A.
- 5- Connections for hardwire units:
Black wire – circuit hot
White wire – circuit neutral
Green wire – circuit ground



SLIDE COVER BEHIND MOUNTING CLIPS UNTIL IT SNAPS INTO POSITION

Detail A