

STU
DIO

BY DEKKO

2505 Dekko Drive
Garrett, IN 46738
Customer Service: 800.357.5622

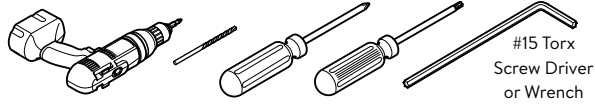
ASHLEY QUAD UNDER

- Corded -

Under Worksurface Mounting Installation Instruction

This device complies with part 15A of the FCC Rules. Operation is subject to the following two conditions: (1) This device may not cause harmful interference, and (2) this device must accept any interference received, including interference that may cause undesired operation.

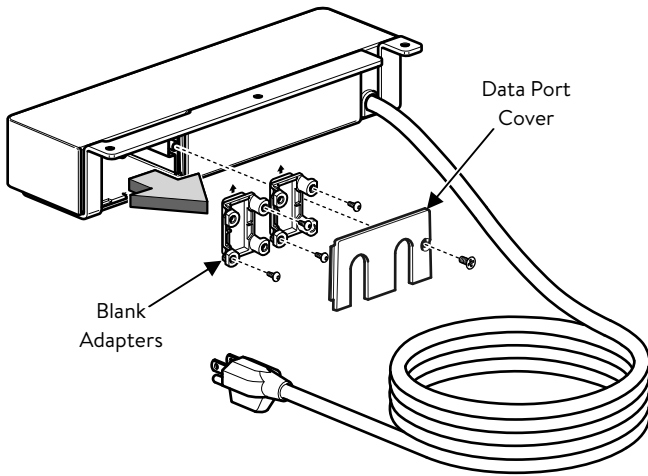
Tools Required



NOTE

All Tech Adapters Need to be Mounted in the
↑ "UP" ↑ Position. (Refer to the back of Parts)

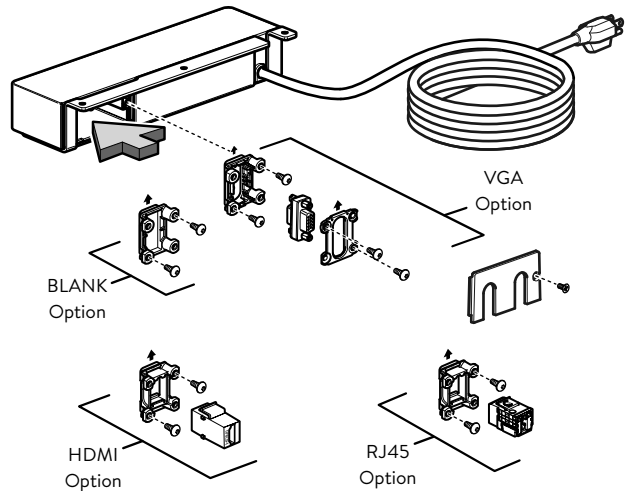
1 Remove Data Port Cover and Blank Adapters



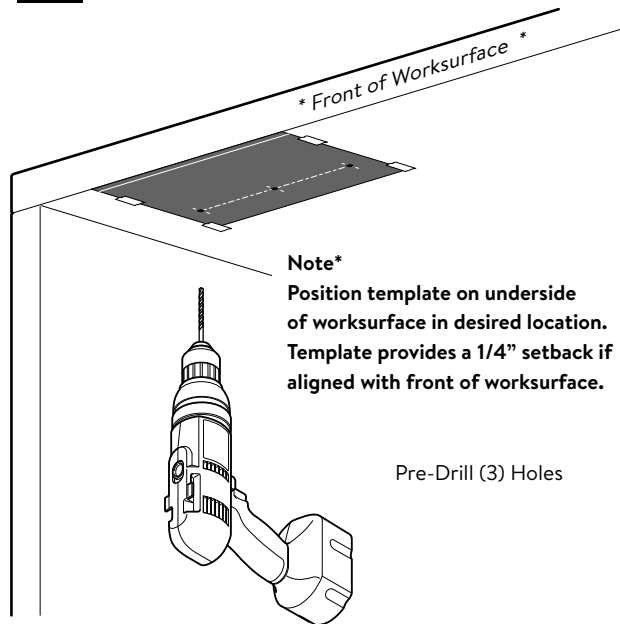
2 Install Data Port Options - (VGA, RJ45, HDMI, BLANK)

NOTE

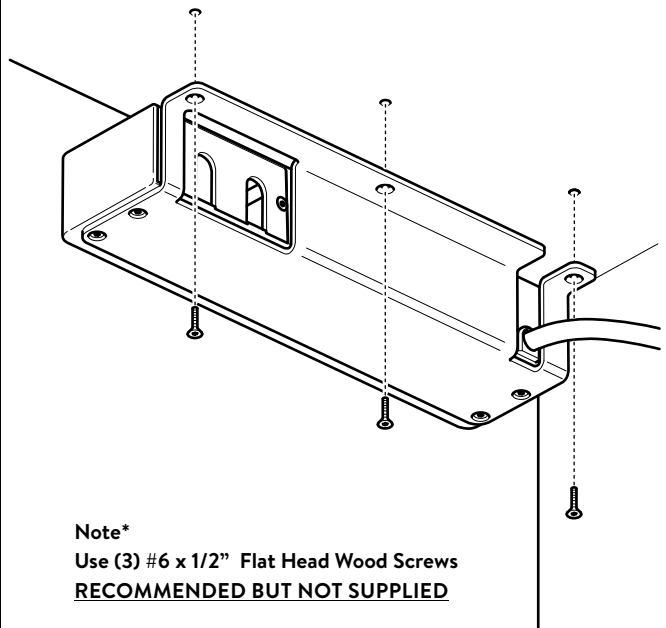
See Sheet #2 for Detailed Instructions



3 Place Template and Pre-Drill Holes



4 Install Ashley 412 Under to Worksurface



E.C.N. No: GD17-002663

Part Number: G110185

Page Number: 1 of 4

Revision: B

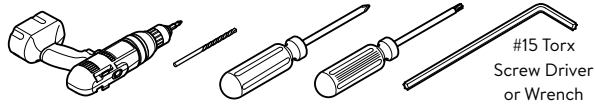
ASHLEY QUAD UNDER

- Corded -

Under Worksurface Mounting Installation Instruction

This device complies with part 15A of the FCC Rules. Operation is subject to the following two conditions: (1) This device may not cause harmful interference, and (2) this device must accept any interference received, including interference that may cause undesired operation.

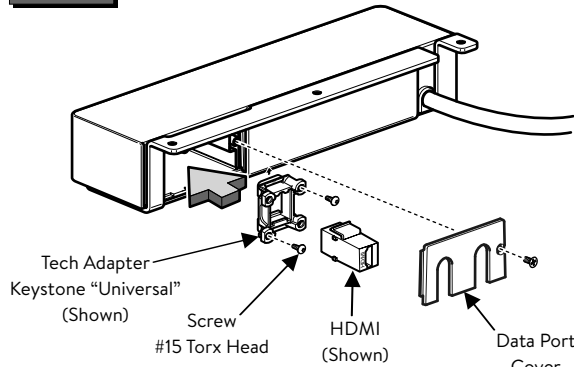
Tools Required



NOTE

**All Tech Adapters Need to be Mounted in the
↑ "UP" ↑ Position. (Refer to the back of Parts)**

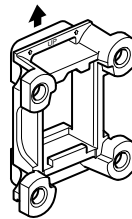
2.1 Install Data Tech Adapter Option



(Universal)

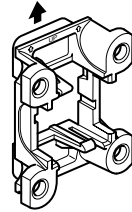
KEYSTONE

HDMI	Optical Cable Corp 5e
Tripp-Lite	Optical Cable Corp 6
Allen-Tel	Ortronics
AMP TE-Krone	Panduit NetKey
Belden KeyConnect	Hubbell Premise
Leviton Quick Port	Type F Coax
Leviton Quick Port Extreme	ETC. (ET. AL.)



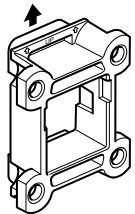
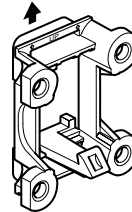
(Specific)

Belden EZ MDVO

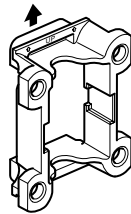


(Specific)

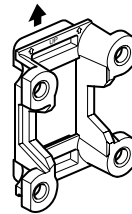
Panduit Mini-COM



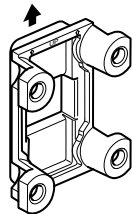
(Specific)
Commscope



(Specific)
Ortronics TrackJack

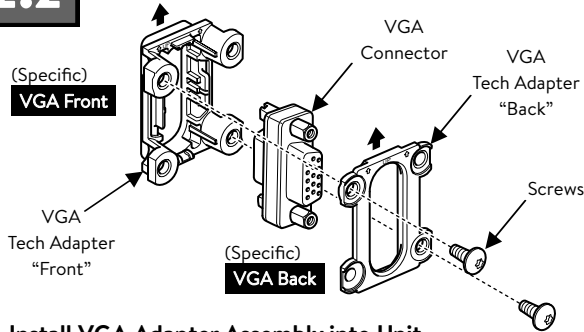


(Specific)
Siemon

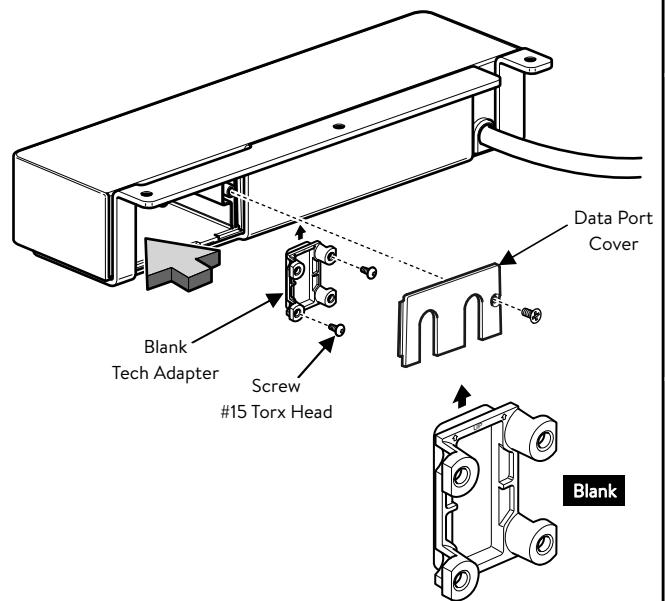


(Specific)
Cable Retainer

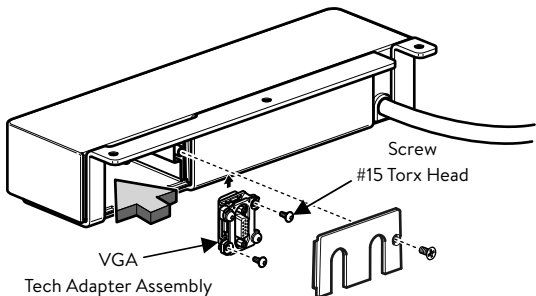
2.2 A Install VGA Connector to VGA Tech Adapters



2.3 Install Blank Tech Adapter Option



B Install VGA Adapter Assembly into Unit



STU
DIO

BY DEKKO

2505 Dekko Drive
Garrett, IN 46738
Customer Service: 800.357.5622

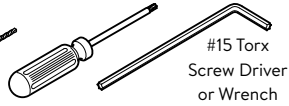
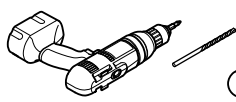
ASHLEY QUAD UNDER

- Corded -

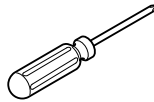
Under Worksurface Mounting Installation Instruction

This device complies with part 15A of the FCC Rules. Operation is subject to the following two conditions: (1) This device may not cause harmful interference, and (2) this device must accept any interference received, including interference that may cause undesired operation.

Tools Required



#15 Torx
Screw Driver
or Wrench

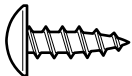


Screwdriver needed for optional
power cord mounting clamps.

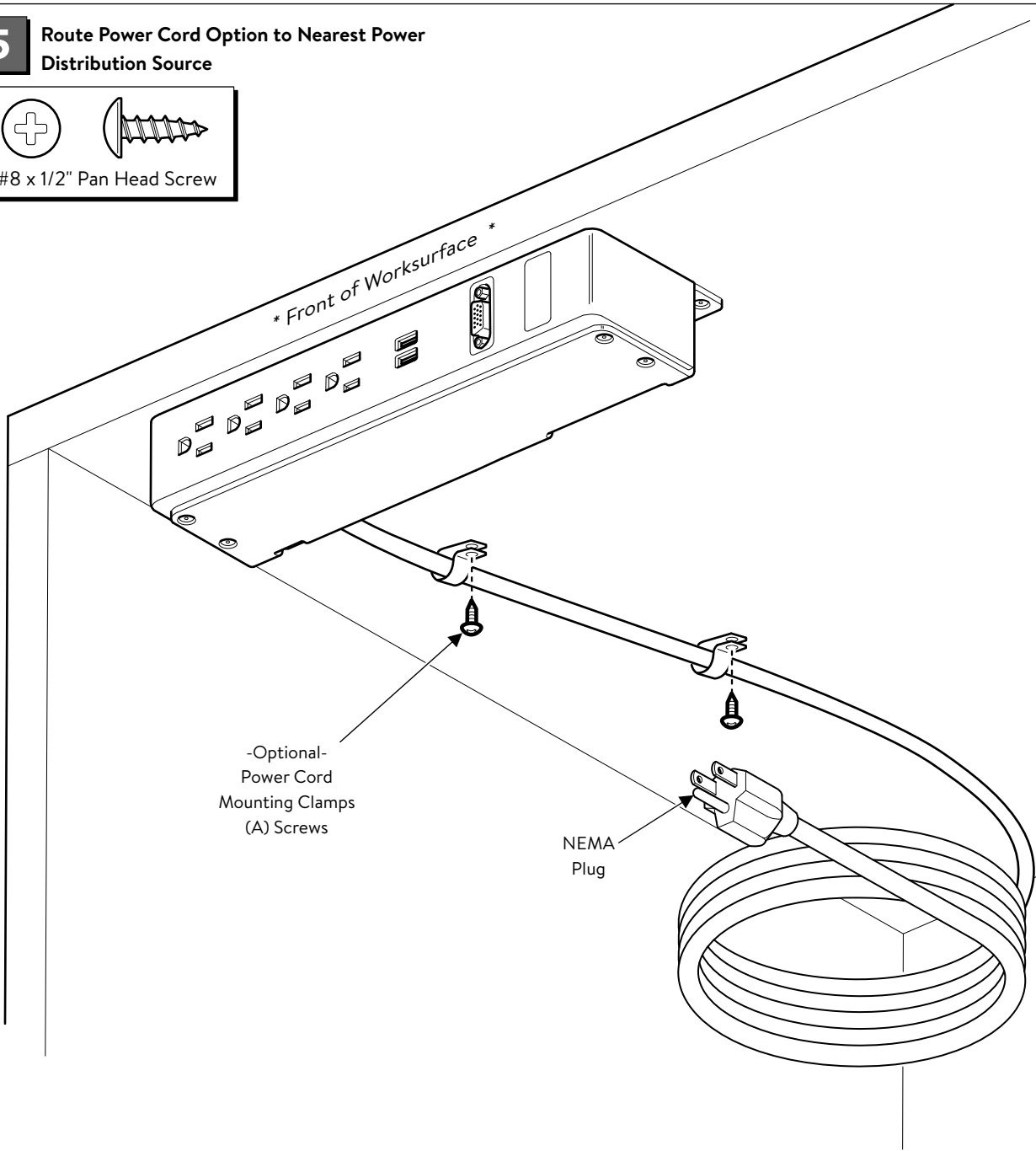
5

Route Power Cord Option to Nearest Power Distribution Source

(A)



#8 x 1/2" Pan Head Screw



-Optional-
Power Cord
Mounting Clamps
(A) Screws

NEMA
Plug

ASHLEY QUAD UNDER

- Corded -

Under Worksurface Mounting
Installation Instruction Template



2505 Dekko Drive
Garrett, IN 46738
Customer Service: 800.357.5622

This device complies with part 15A of the FCC Rules. Operation is subject to the following two conditions: (1) This device may not cause harmful interference, and (2) this device must accept any interference received, including interference that may cause undesired operation.

**This template is
NOT TO
SCALE!**

SUGGESTED SET BACK

1/4" SET BACK FROM FRONT EDGE

FRONT EDGE OF WORKSURFACE

FRONT OF ASHLEY 412 UNDER

1/4" SET BACK FROM FRONT EDGE

ASHLEY 412 UNDER DRILLING TEMPLATE

PRE-DRILL (3) HOLES

3.46"

10.0"

5.0"