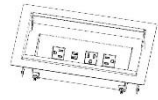


# REEF MINI INSTALLATION

## Components & Hardware



(A) REEF MINI, Qty. 1



(B) Thumb Screw, Qty. 2



(C) Clamp, Qty. 2

## Tools Needed

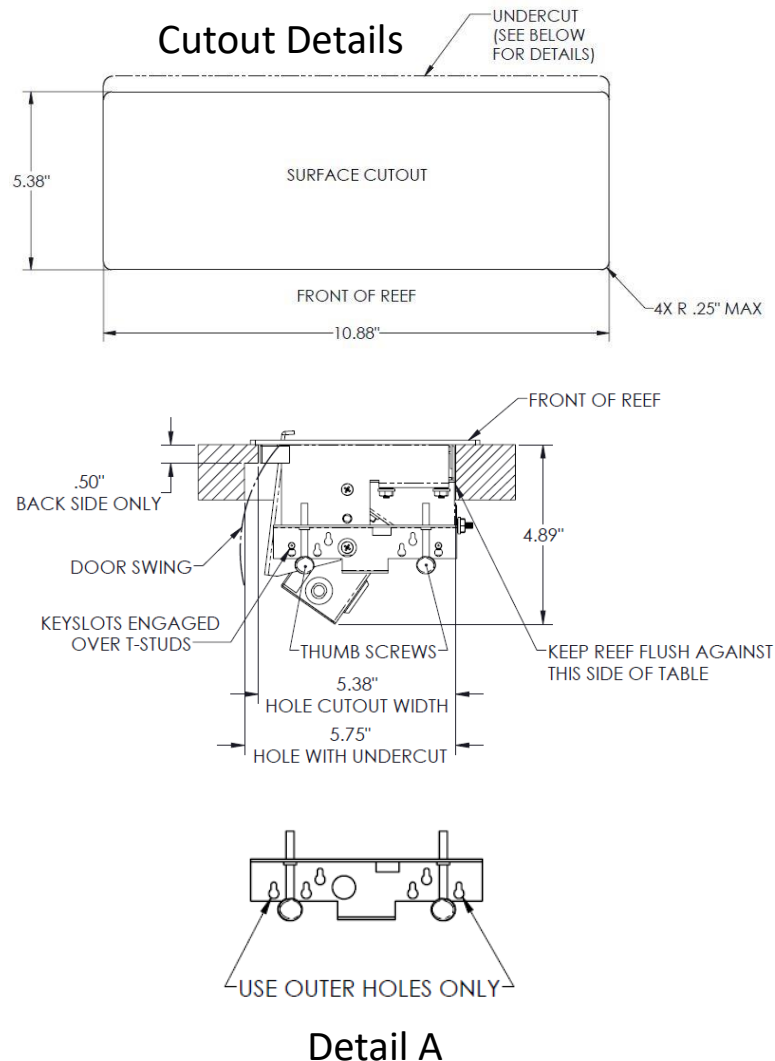


**For use with:** This product fits tables 1.00" - 2.00" thick.

**Note:** A licensed electrician should make the hardwire connections. For use on dry work surfaces only. No serviceable parts, do not disassemble.

## Installation Instructions:

- 1- Determine the Reef Mini's (A) mounting location and prepare the surface.
- 2- Insert the Reef Mini (A) into the cutout from above and check for smooth operation of the door and adjust position in cutout if required.
- 3- Clamp into position using clamps (C) and thumb screws (B) provided. Note: Key slots in clamps engage over T-studs in Reef (A) and thumb screws (B) tighten against the underside of the table. Use appropriate key slots to clamp (C) into position (see detail A).
- 4- Connect all power and data cabling as needed.
- 5- Connections for hardwire units:  
Black wire – circuit hot  
White wire – circuit neutral  
Green wire – circuit ground



Plug into an appropriate outlet that is properly installed and grounded in accordance with all local codes and regulations.