



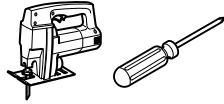
2505 Dekko Drive
Garrett, IN 46738
Customer Service: 800.357.5622

STAFFORD MINI

(Patent Pending)
- Perimeter -
Surface Mounting
Installation Instruction

This device complies with part 15A of the FCC Rules. Operation is subject to the following two conditions: (1) This device may not cause harmful interference, and (2) this device must accept any interference received, including interference that may cause undesired operation.

Tools Required



* SPECIAL NOTE *

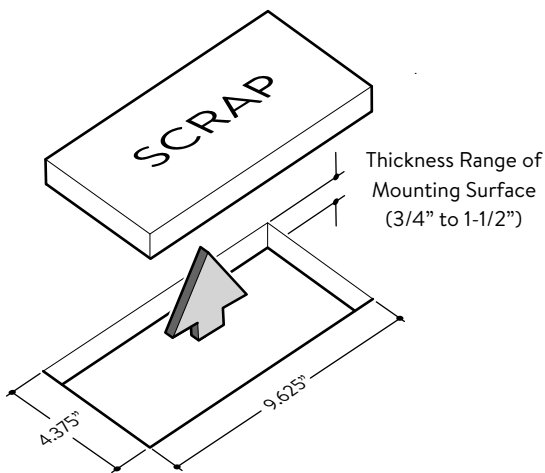
Optional MAAP connector options will need to be purchased from Extron.



1 Cutout Opening for Stafford Mini Assembly

* NOTE *

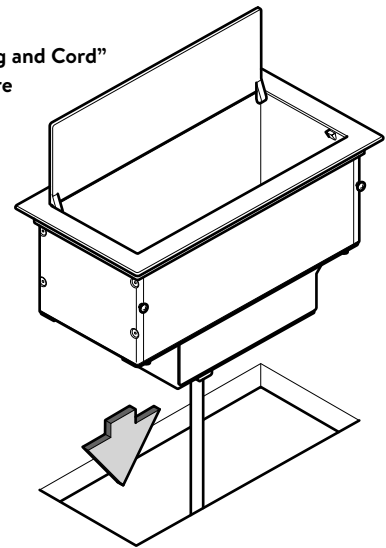
Max Radius on Cutout Corners is 1/4"



2 Install Stafford Mini Assembly into Cutout

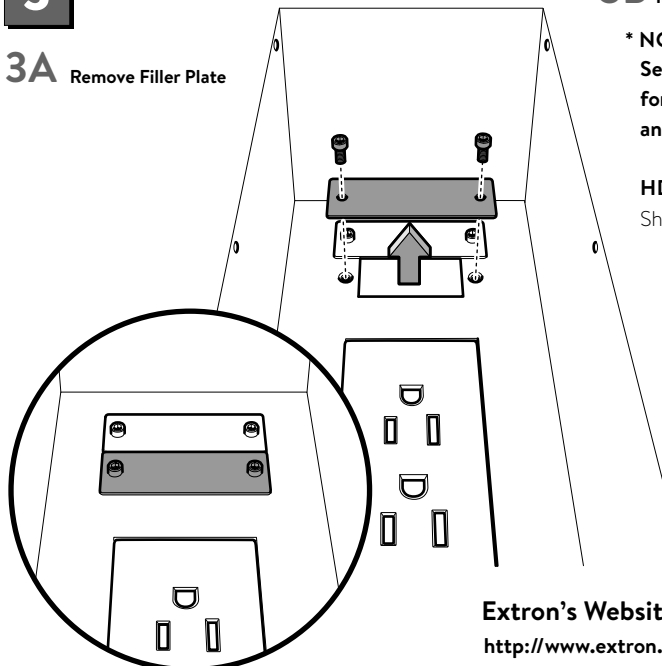
* NOTE *

Route "Perimeter Plug and Cord" Through Cutout Before Inserting Assembly into Cutout.



3 Install Video/Data Connection Point

3A Remove Filler Plate

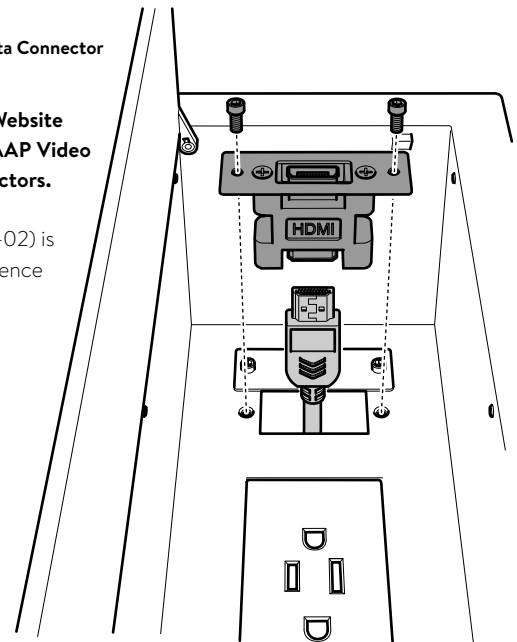


3B Install Video/Data Connector

* NOTE *

See "Extron's" Website for Available MAAP Video and Data Connectors.

HDMI - (70-617-02) is Shown for Reference



Extron's Website Address for MAAP Connectors

<http://www.extron.com/company/article.aspx?id=aapmaap&subtype=aapmaap&s=3>

E.C.N. No: GD17-002964

Part Number: G110221

Page Number: 1 of 2

Revision: C



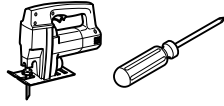
2505 Dekko Drive
Garrett, IN 46738
Customer Service: 800.357.5622

STAFFORD MINI

(Patent Pending)
- Perimeter -
Surface Mounting
Installation Instruction

This device complies with part 15A of the FCC Rules. Operation is subject to the following two conditions: (1) This device may not cause harmful interference, and (2) this device must accept any interference received, including interference that may cause undesired operation.

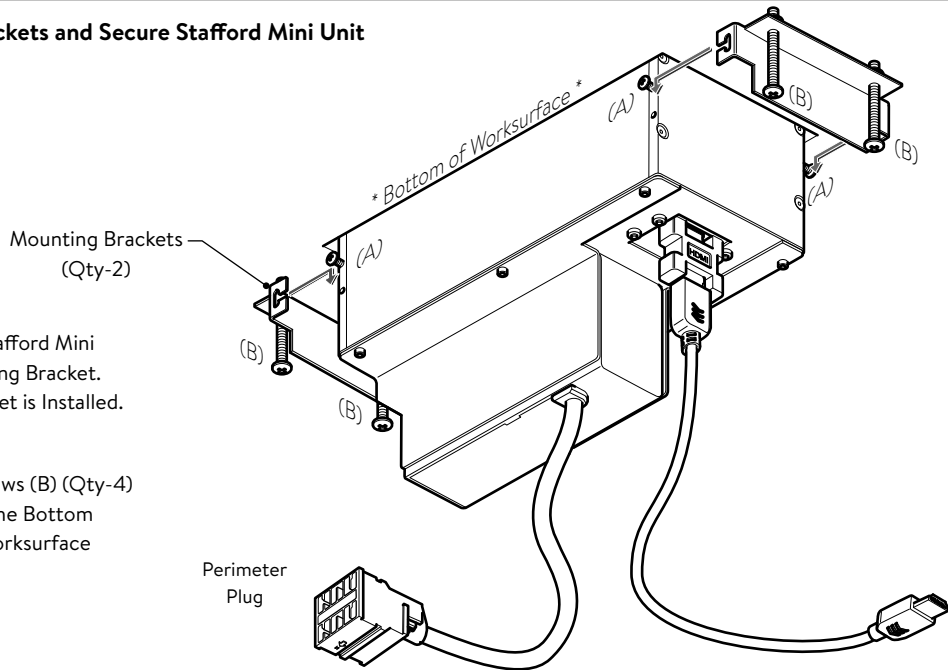
Tools Required



4 Attach Mounting Brackets and Secure Stafford Mini Unit to Worksurface

* Back Screws (A) out of Stafford Mini Enclosure to Accept Mounting Bracket. Tighten Screws (A) once Bracket is Installed.

* Tighten Screws (B) (Qty-4) Snug to the Bottom of the Worksurface



5 Route Perimeter Plug to Nearest Power Distribution Source

*** NOTE ***
Route Video/Data cables to appropriate device or distribution source.

