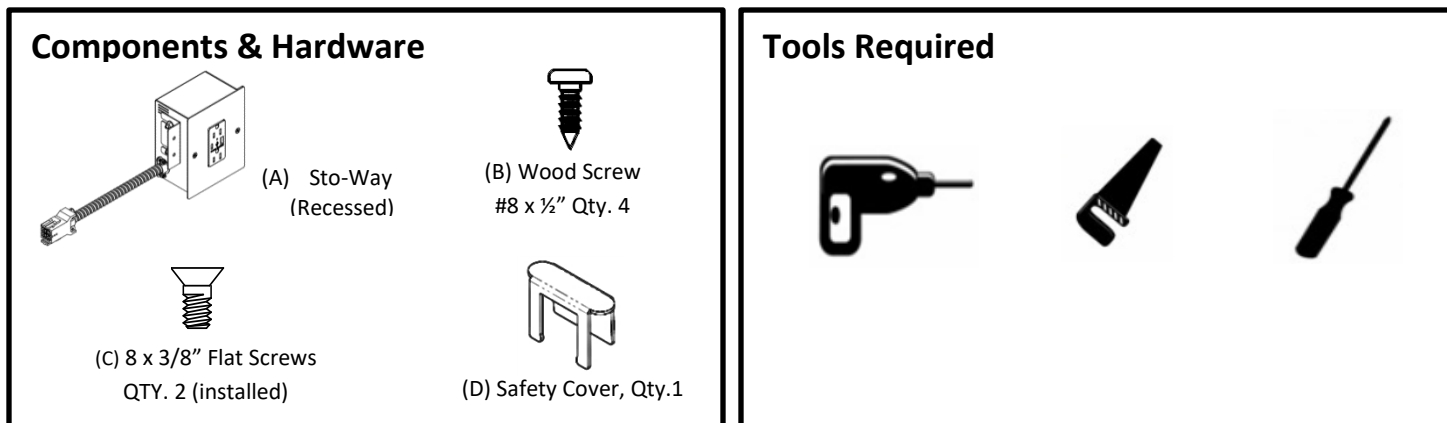


# STO-WAY (RECESSED) WOOD INSTALLATION



**Note:** Unit is not for permanent installation as part of the building structure and not for mounting in a permanently installed furnishing such as a countertop. Unit is to be mounted about the furnishing surface and oriented in such a way that spilled liquid on the furnishing surface cannot enter any part of the unit. \*Recommended mounting for System 42 and cord to wood of .625" to 1.00" thick with supplied hardware. \*\* Use for System 42 and corded versions. Do not connect more than 12 outlets on one circuit. **Caution:** Disconnect electrical load before servicing the unit.

## Installation instructions:

- 1- Remove the finish cover plate from the Power unit(s) (A). Save the screws (C) for use later.
- 2- Determine the power units mounting location and prepare the surface (FIG.1).
- 3- Loosen the 4 Locking nuts on the mounting brackets (FIG.2). Expose adhesive back and press in place to seat tape.
- 4- Align the face of the unit with the inner surface of the Locker. Snug the Mounting bracket against the back panel and insert the 4 wood screws (B). \*Do not pierce finished surfaces. Confirm inner surface alignment and tighten the Locking nuts. Take care not to over tighten.
- 5- Attach the finish cover plate via the two center holes on the power unit using the two screws(C) removed in step 1 (FIG.2).
- 6- Repeat steps 1-5 for each Power unit in the circuit.
- 7- Beginning with the last Sto-Way in the circuit; attach the Safety cover (D) to the unused connector. (FIG.4). Connect the whip to the next Power unit (FIG.3). Repeat this for all units in the system.
- 8- At the first Sto-Way in the circuit attach the power infeed (sold separately). Energize the circuit (FIG.3).

# STO-WAY (RECESSED) WOOD INSTALLATION

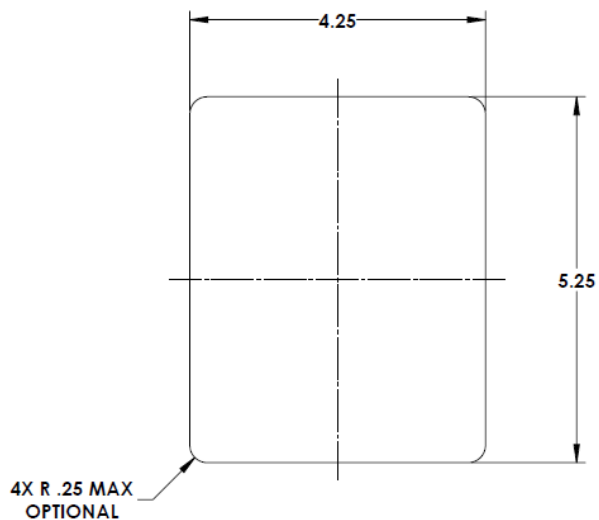


FIG. 1

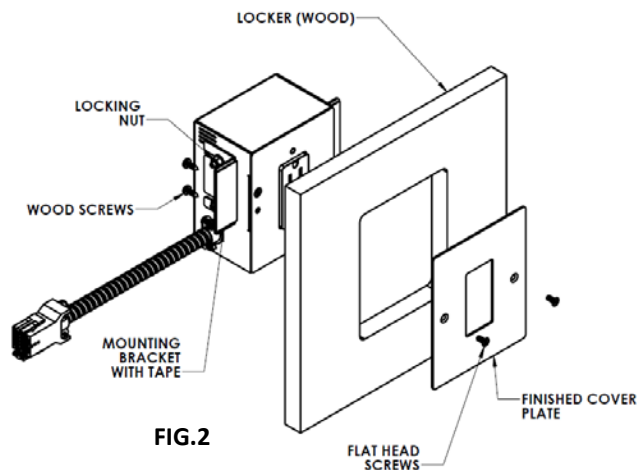


FIG. 2

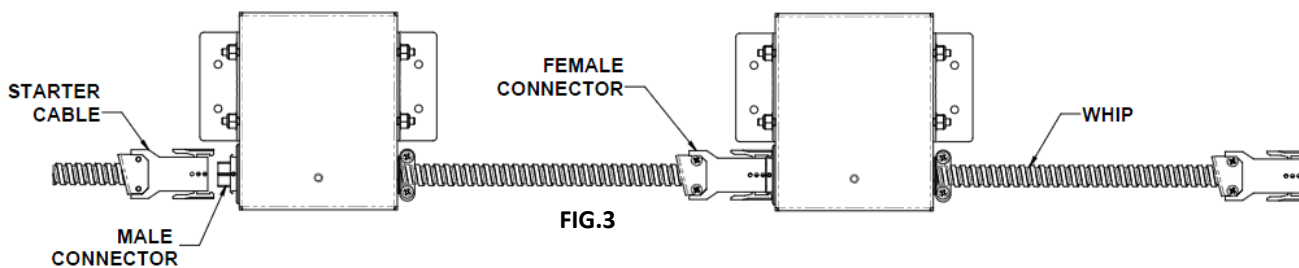


FIG. 3

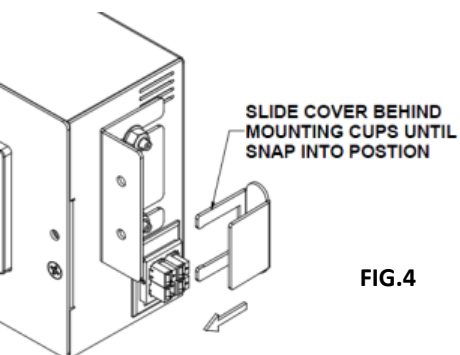


FIG. 4