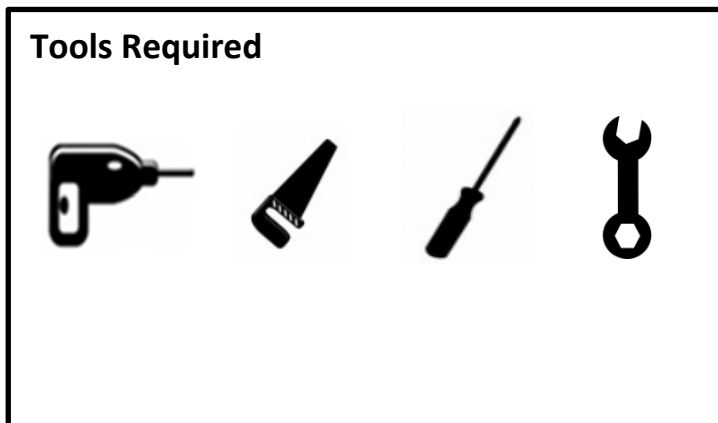
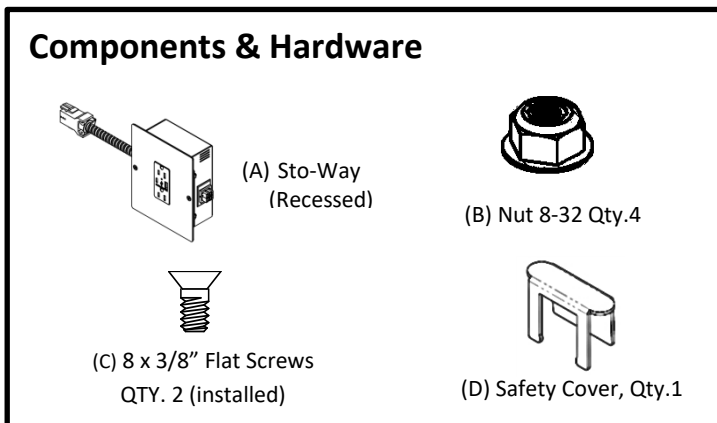


STO-WAY (RECESSED) SHEET METAL INSTALLATION



Note: Unit is not for permanent installation as part of the building structure and not for mounting in a permanently installed furnishing such as a countertop. Unit is to be mounted about the furnishing surface and oriented in such a way that spilled liquid on the furnishing surface cannot enter any part of the unit. Recommended mounting for System 42 and cord to sheet metal of .025" to 0.78" thick. * Use for System 42 and corded versions. Do not connect more than 12 outlets on one circuit. **Caution:** Disconnect electrical load before servicing the unit.

Installation instructions:

1. Remove the finish cover plate from the Power unit(s) (A). Save the screws (C) for use later.
2. Determine the power units mounting location and prepare the surface (FIG 1). Ensure the correct spacing to allow the finish cover to be installed later.
3. Insert the Mounting plate from inside the locker with the studs protruding through the holes drilled in step 2.
4. Attach the Power unit from the rear aligning the flange holes over the studs. Thread on the four flange nuts (B). Take care not to over tighten (FIG 2).
5. Attach the finish plate via the two center holes on the Mounting plate (FIG 2).
6. Repeat steps 1-5 for each power unit.
7. Starting with the last power unit and working toward the first connect each into the next. Connect the power infeed (sold separately) to the first power unit in the circuit (FIG 3).
8. Attach the End Cap (D) to the past unit in the circuit if desired (FIG 4).

STO-WAY (RECESSED) SHEET METAL INSTALLATION

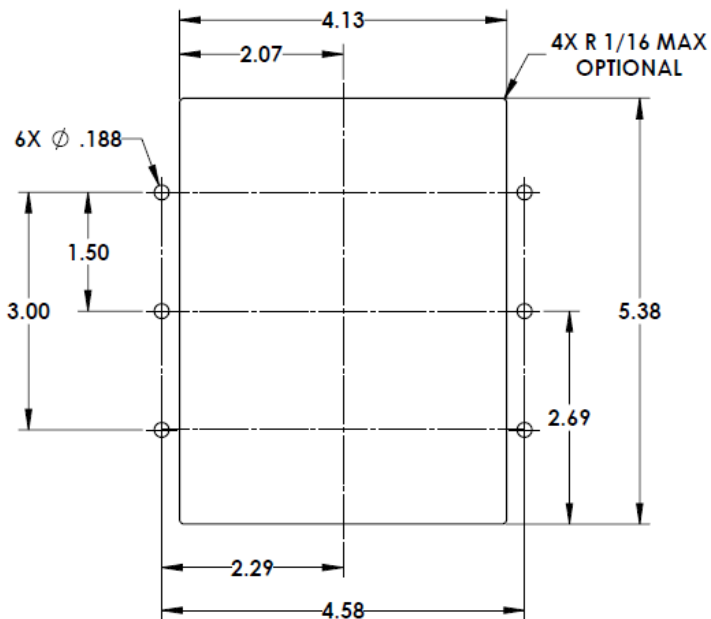


FIG 1

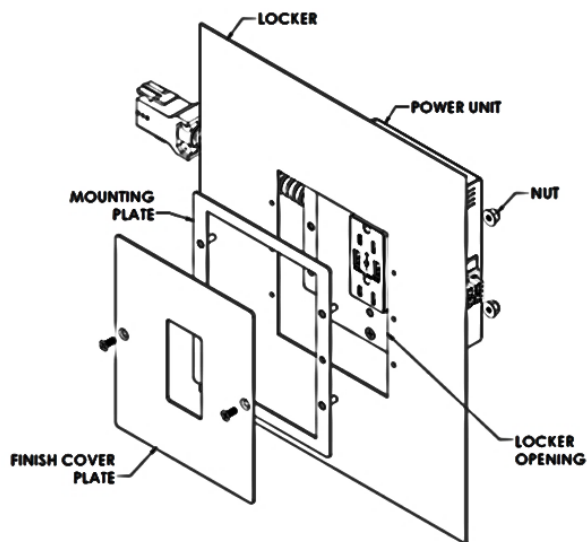


FIG 2

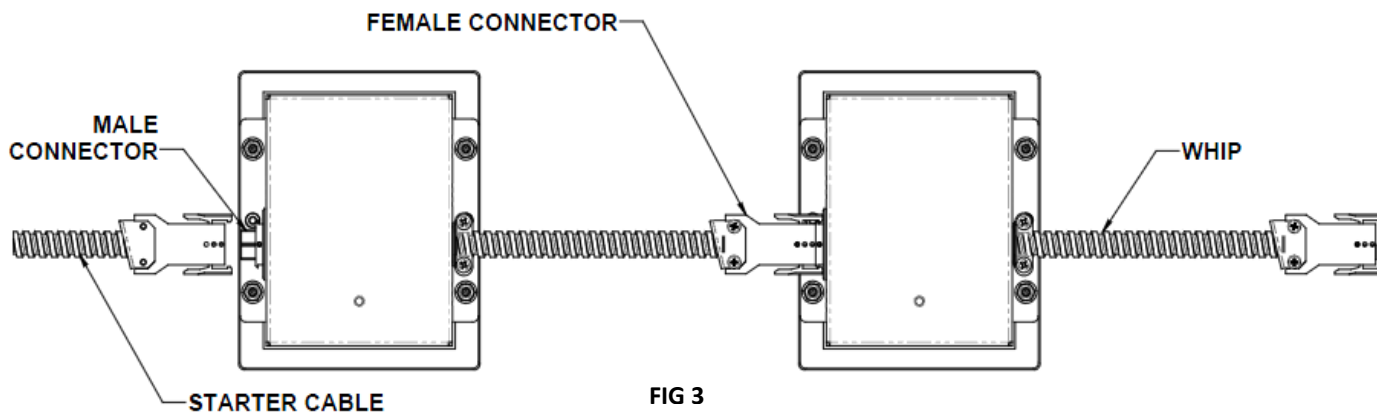


FIG 3

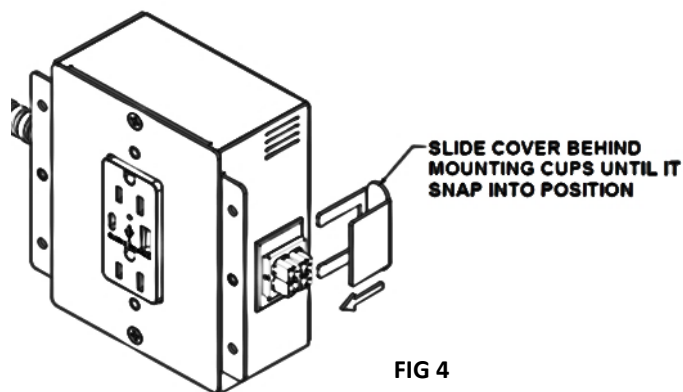


FIG 4