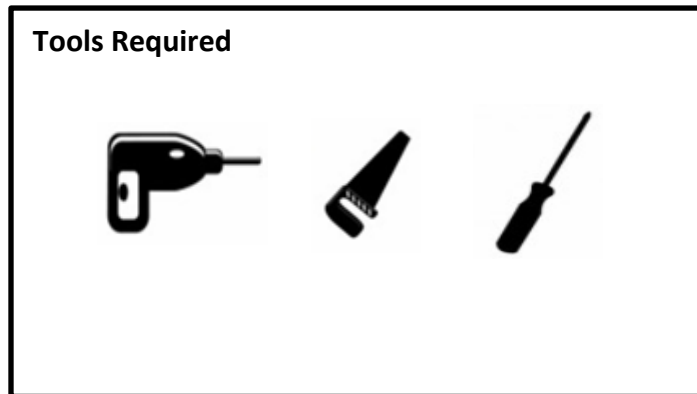
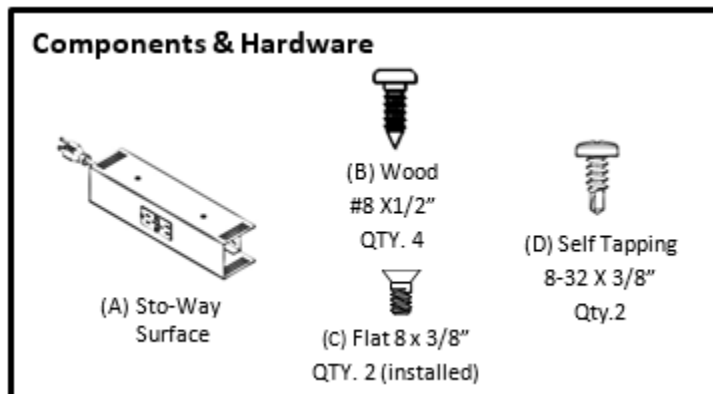


STO-WAY (SURFACE) CORDED INSTALLATION



Notes: Unit is not for permanent installation as part of the building such as a countertop. Unit is to be mounted above the furnishing surface cannot enter any part of the unit.. * Ensure all screws will not Recommended for sheet metal .025" to .078" thick and wood 5/8" to

Installation Instructions:

- 1- Remove the finish cover from the power unit(s). Save the screws for use later.
- 2- Determine the power units mounting location and prepare the surface (fig.1). Ensure the correct spacing to allow the finish cover to be reinstalled later.
- 3- Position the cable pass through opening (fig.1). Remove any sharp edges in the opening and pass the plug through the opening. Take care not to pinch cord.
- 4- Mount the power unit using screw (B) for wood or screw (D) for sheet metal. * Take care not to pierce finished surfaces.
- 5- Repeat step 1 – 4 for each power unit.
- 6- Connect to the appropriate 15A outlet.
- 7- Mount the finish cover(s) with two screws (C) removed during step one to each power box (fig. 3).

