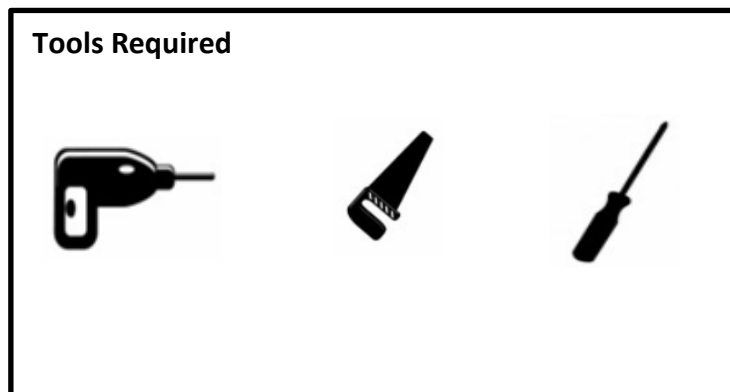
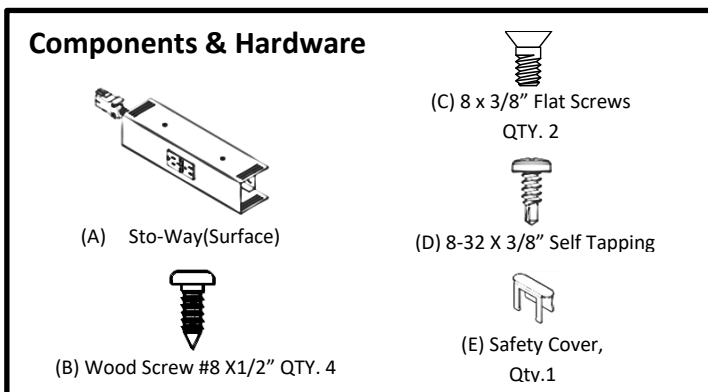


STO-WAY (SURFACE) SYSTEM 42 INSTALLATION



Notes: Unit is not for permanent installation as part of the building structure and not for mounting in a permanently installed furnishing such as a countertop. Unit is to be mounted above the furnishing surface and oriented such a way that spilled liquid on the furnishing surface cannot enter any part of the unit. * Use for System 42 and Corded Versions use. ** Ensure all screws will not pierce finished work surface. Recommended for mounting system 42 and corded versions to wood 5/8" to 1.0" thick and sheet metal .025" to 0.78" thick Do not connect more than 12 outlets on one circuit Caution: Disconnect electrical load before servicing the unit

Installation Instructions:

- 1- Remove the finish cover from the power unit(s). Save the screws for use later.
- 2- Determine the power units mounting location and prepare the surface per (fig.1)
Ensure the correct spacing to allow the finish cover to be reinstalled later.
- 3- Position the cable pass through opening (figs. 2 & 3)
- 4- (Attach interconnecting cable if needed) Insert the cable end through the pass through (fig. 2). Mount the power unit using screw (D) for sheet metal or screw (B) for wood** (fig. 3). Don't tighten the screws all the way. Place the cover over the base to ensure proper fit shifting the base as needed. Tighten the mounting screws to fix in place.
- 5- To connect unit #2 align like color contacts and connect the base with the interconnecting cable (fig. 5). Mount the power unit using screw (D) for sheet metal or screw (B) for wood** (fig. 3). Don't tighten the screws all the way. Place the cover over the base to ensure proper fit adjusting the base as needed. Tighten the mounting screws to fix in place.
- 6- Repeat steps 1-5 as needed until the last unit in line is installed.
- 7- Connect the power infeed (sold separately) to the first power unit in the circuit (fig.5).
- 8- Attach the end cap (E) to the last power unit in the circuit if desired (fig.6).
- 9- Mount the finish cover(s) with two screws (C) removed during step one to each Power box (fig. 4).

STO-WAY (SURFACE) SYSTEM 42 INSTALLATION

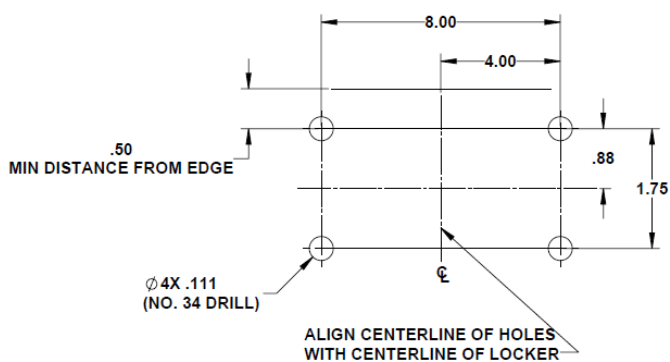


FIG 1

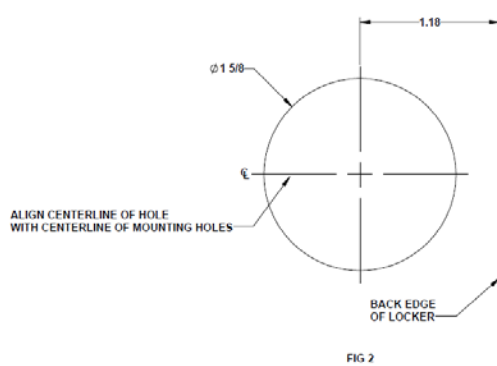


FIG 2

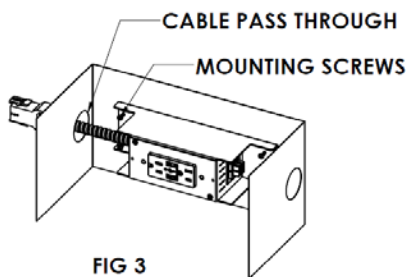
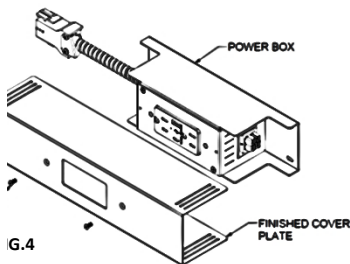


FIG 3



G.4

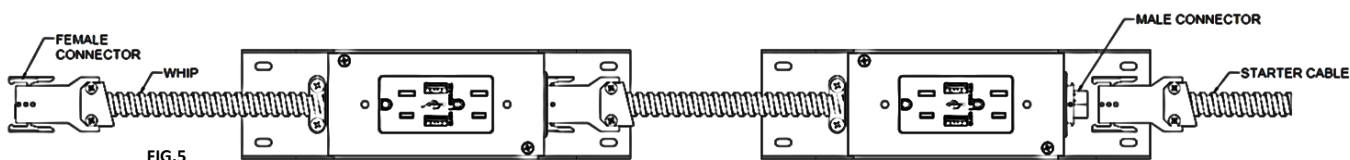


FIG.5

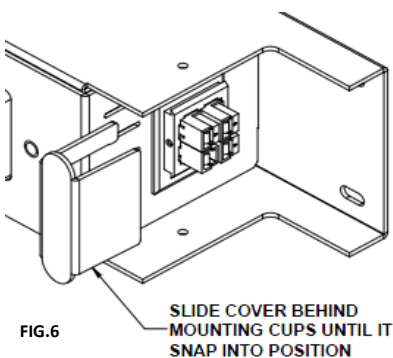


FIG.6