

STU  
DIO

BY DEKKO

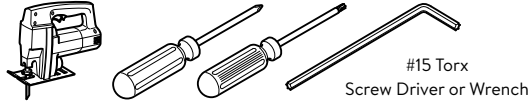
2505 Dekko Drive  
Garrett, IN 46738  
Customer Service: 800.357.5622

# ASHLEY TRIO BEZEL

- Conduit Feed -  
Horizontal or Vertical Surface Mounting  
Installation Instruction

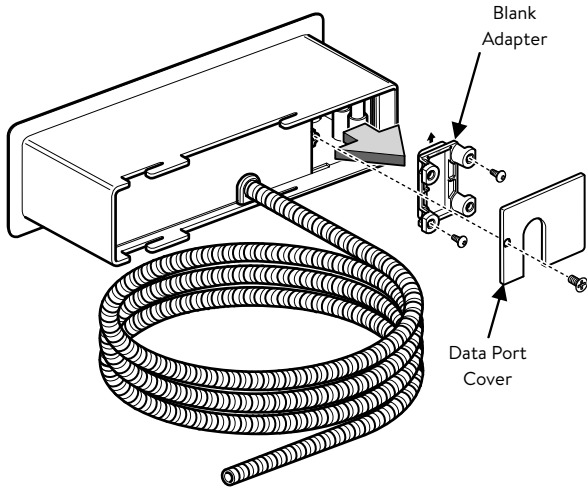
This device complies with part 15A of the FCC Rules. Operation is subject to the following two conditions: (1) This device may not cause harmful interference, and (2) this device must accept any interference received, including interference that may cause undesired operation.

### Tools Required



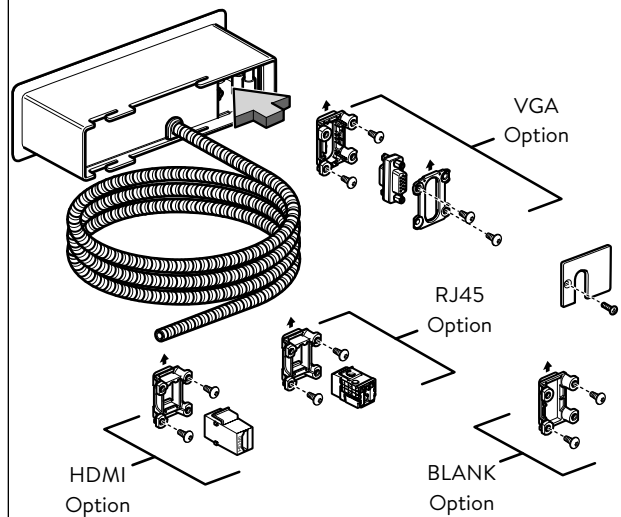
**\*NOTE\***  
All Tech Adapters Need to be Mounted in the  
↑ "UP" ↑ Position. (Refer to the back of Parts)

## 1 Remove Data Port Cover and Blank Adapter



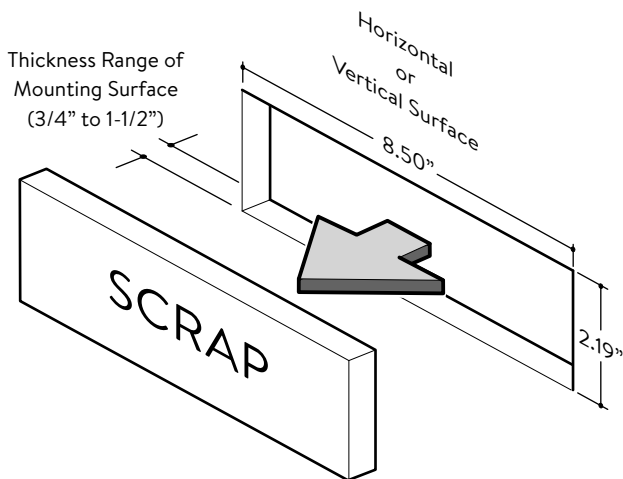
## 2 Install Data Port Option (VGA, RJ45, HDMI, BLANK)

**\*NOTE\***  
See Sheet #2 for Detailed Instructions

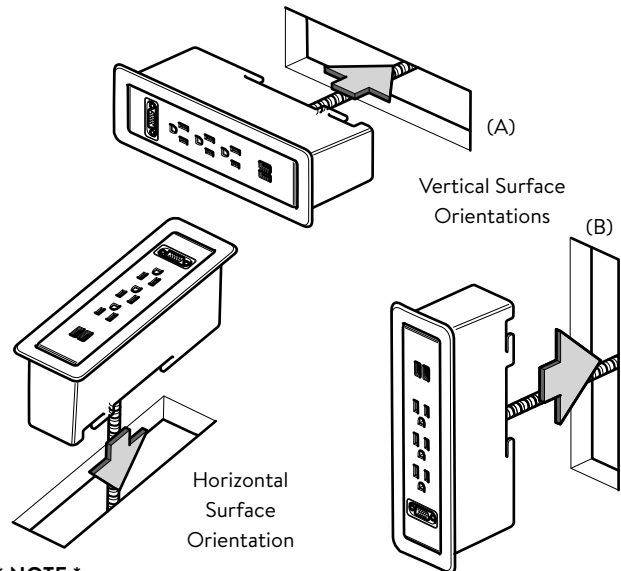


## 3 Cutout Opening for Ashley Trio® Bezel Assembly

**\* NOTE \***  
Max Radius on Cutout Corners is 1/4"



## 4 Install Ashley Trio® Bezel Assembly into Cutout



**\* NOTE \***  
Tabs Point Up when Unit is  
Installed Vertically - See Vertical Orientation

E.C.N. No: GD17-002789

Part Number: G110085

Page Number: 1 of 4

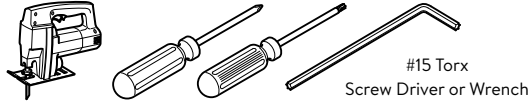
Revision: D

# ASHLEY TRIO BEZEL

- Conduit Feed -  
Horizontal or Vertical Surface Mounting  
Installation Instruction

This device complies with part 15A of the FCC Rules. Operation is subject to the following two conditions: (1) This device may not cause harmful interference, and (2) this device must accept any interference received, including interference that may cause undesired operation.

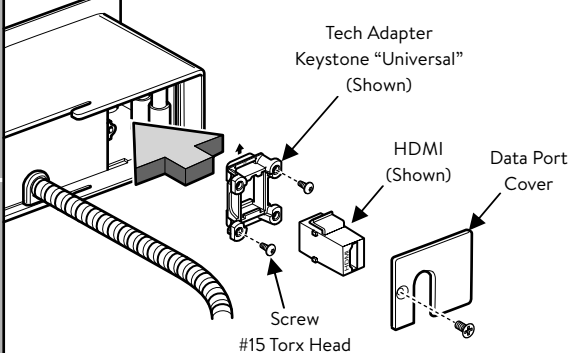
**Tools Required**



**\*NOTE\***

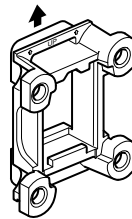
All Tech Adapters Need to be Mounted in the  
↑ "UP" ↑ Position. (Refer to the back of Parts)

## 2.1 Install Data Tech Adapter Option

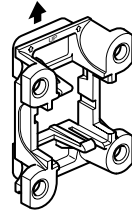


(Universal)

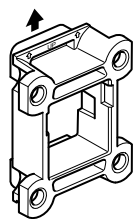
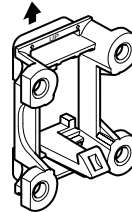
KEYSTONE	
HDMI	Optical Cable Corp 5e
Tripp-Lite	Optical Cable Corp 6
Allen-Tel	Ortronics
AMP TE-Krone	Panduit NetKey
Belden KeyConnect	Hubbell Premise
Leviton Quick Port	Type F Coax
Leviton Quick Port Extreme	ETC. (ET. AL.)



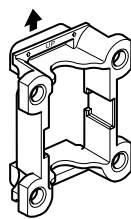
(Specific)  
Belden EZ MDVO



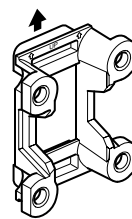
(Specific)  
Panduit Mini-COM



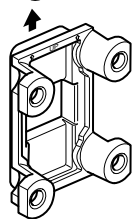
(Specific)  
Commscope



(Specific)  
Ortronics TrackJack

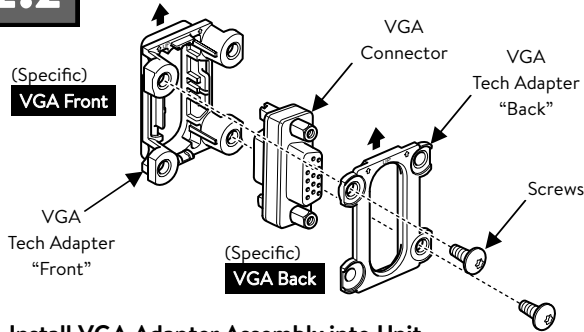


(Specific)  
Siemon

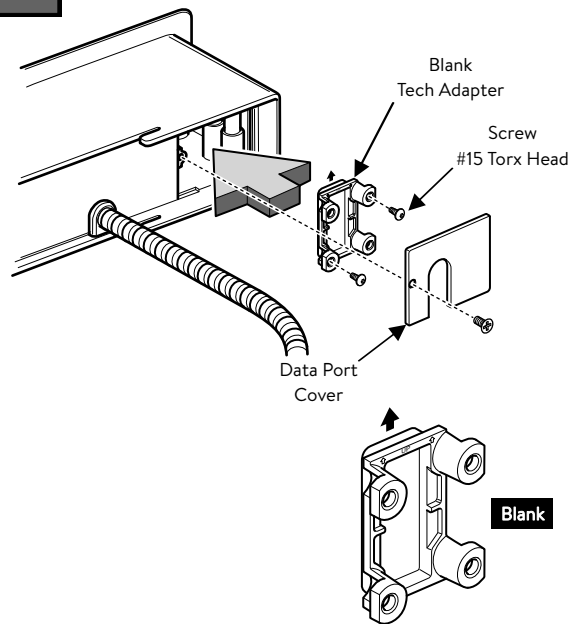


(Specific)  
Cable Retainer

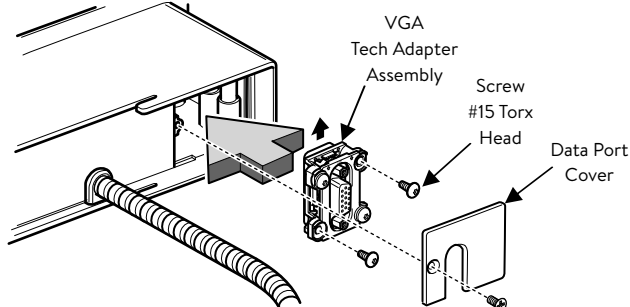
## 2.2 A Install VGA Connector to VGA Tech Adapters



## 2.3 Install Blank Tech Adapter Option



## B Install VGA Adapter Assembly into Unit



STUDIO

BY DEKKO

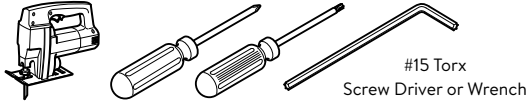
2505 Dekko Drive  
Garrett, IN 46738  
Customer Service: 800.357.5622

# ASHLEY TRIO BEZEL

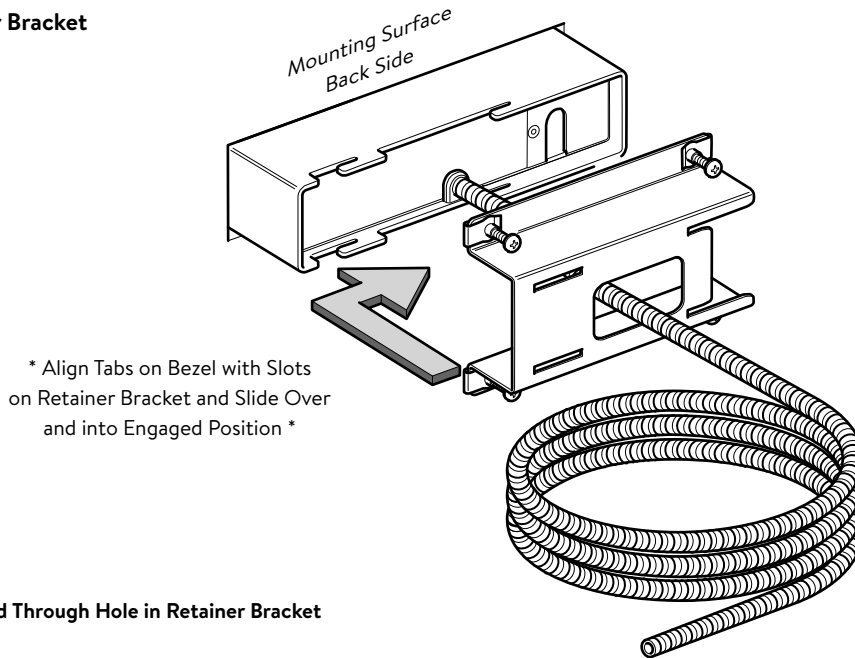
- Conduit Feed -  
Horizontal or Vertical Surface Mounting  
Installation Instruction

This device complies with part 15A of the FCC Rules. Operation is subject to the following two conditions: (1) This device may not cause harmful interference, and (2) this device must accept any interference received, including interference that may cause undesired operation.

## Tools Required



## 5 Install Retainer Bracket

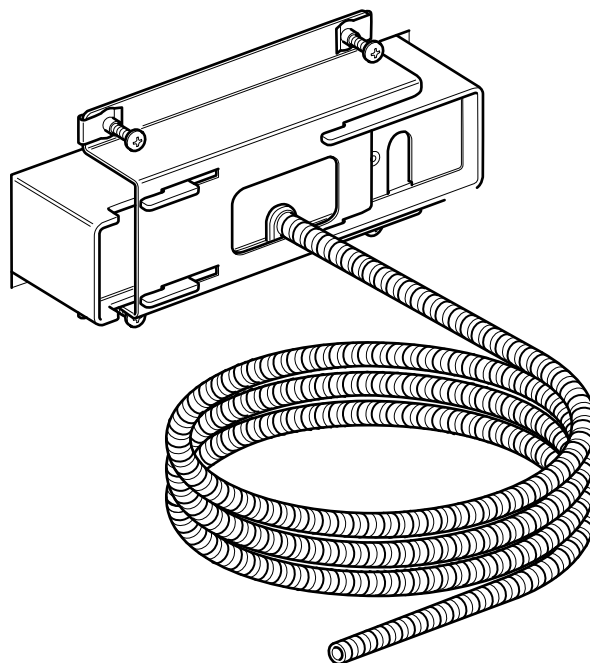


## 6 Route Conduit Feed to Nearest Power Distribution Source

\* Tighten (4) Screws to Secure Unit to Worksurface \*

### WIRE IDENTIFICATION

- LINE (BLACK)
- GROUND (GREEN)
- NEUTRAL (WHITE)



# ASHLEY TRIO BEZEL

- Conduit Feed -  
Horizontal or Vertical Surface Mounting  
Installation Instruction



2505 Dekko Drive  
Garrett, IN 46738  
Customer Service: 800.357.5622

This device complies with part 15A of the FCC Rules. Operation is subject to the following two conditions: (1) This device may not cause harmful interference, and (2) this device must accept any interference received, including interference that may cause undesired operation.

