

DEKKO

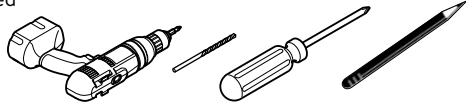
7310 Innovation Blvd. Suite 104
Fort Wayne, IN 46818
Customer Service: 800.357.5622

UNDER MOUNT POWER TAP

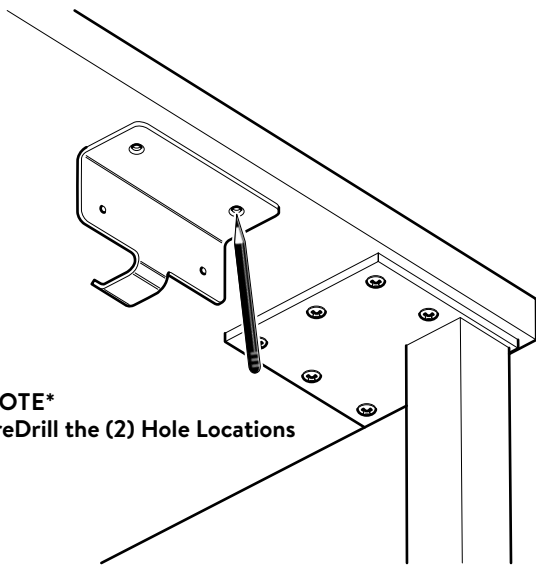
- Corded -
Below Worksurface Mounting
Installation Instruction

This device complies with part 15A of the FCC Rules. Operation is subject to the following two conditions: (1) This device may not cause harmful interference, and (2) this device must accept any interference received, including interference that may cause undesired operation.

Tools Required

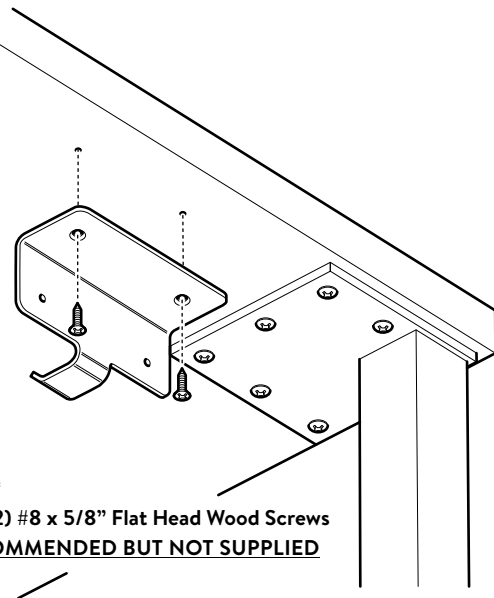


1 Position POWER TAP BRACKET in Desired Location and Mark Holes



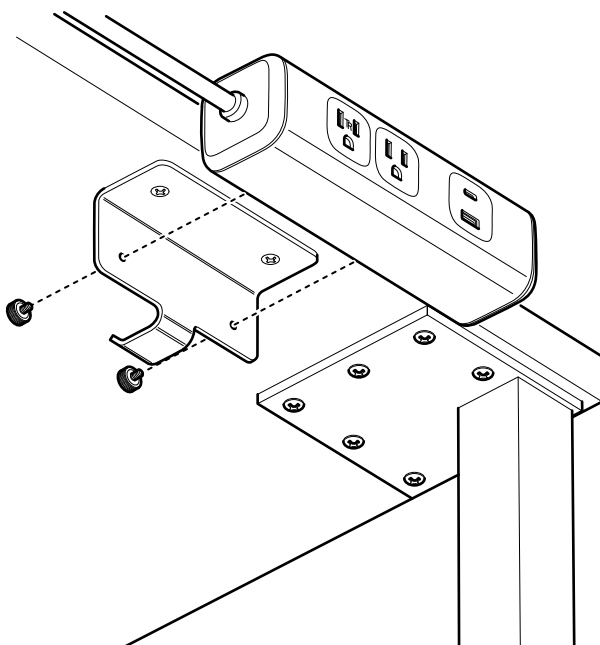
NOTE
PreDrill the (2) Hole Locations

2 Install POWER TAP BRACKET to Worksurface

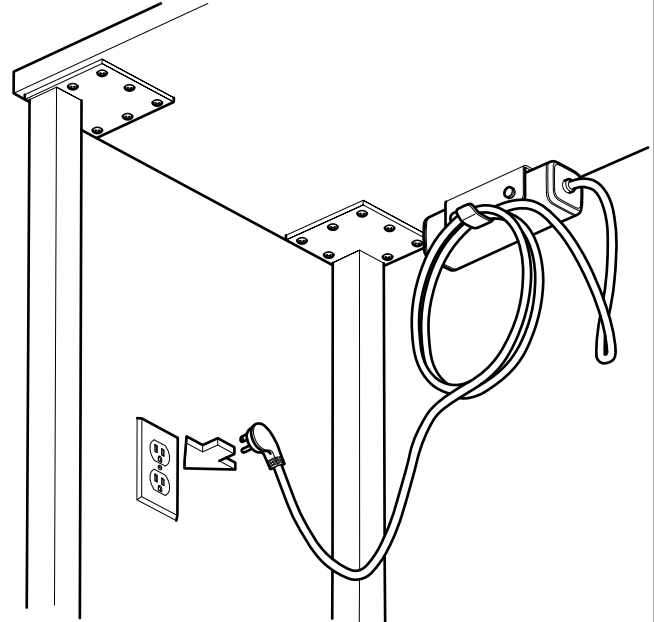


Note*
Use (2) #8 x 5/8" Flat Head Wood Screws
RECOMMENDED BUT NOT SUPPLIED

3 Install POWER TAP UNIT to POWER TAP BRACKET with (2) Thumbscrews



4 Plug POWER TAP into Powered Outlet and Manage Extra Cordage with Integrated Hook



E.C.N. No: GD21-001550

Part Number: G110448

Page Number: 1 of 1

Revision: A