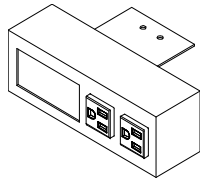


UDT TM INSTALLATION

Components & Hardware



(A) UDT TM*
Qty 1

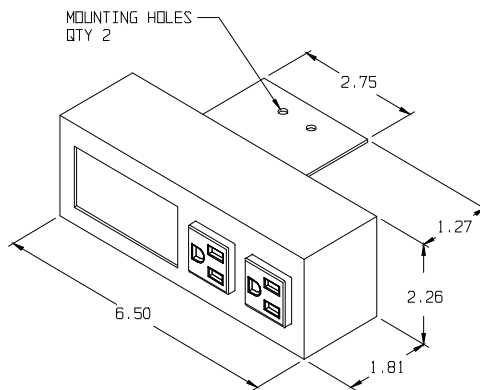
Tools Needed



*UDT2/VD TM 6½" shown

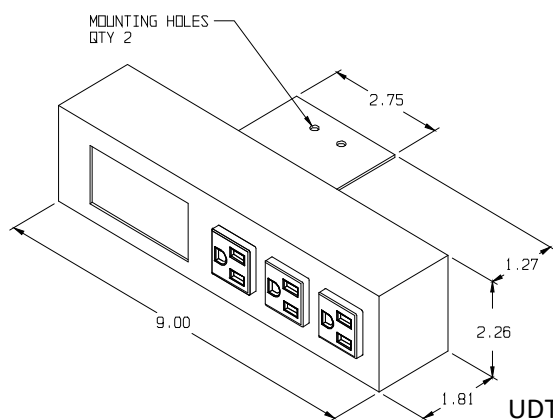
Use care screws do not pierce finished work surface

- 1- Provide cutout, if required, based on sizes below at location UDT TM (A) is to be mounted.
- 2- Place UDT TM into position and secure with screws# (not provided) through mounting holes
- 3- Connect power cord to power.
- 4- Connect any data that may be required as needed.



UDT2 TM 6½"

UDT3 TM 6½"



UDT2/VD TM 6½"

UDT3/VD SM 9"