

STUDIO

BY DEKKO

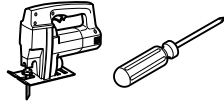
2505 Dekko Drive
Garrett, IN 46738
Customer Service: 800.357.5622

ASHLEY UNO BEZEL

- Conduit -
Horizontal & Vertical Surface Mounting
Installation Instruction

This device complies with part 15A of the FCC Rules. Operation is subject to the following two conditions: (1) This device may not cause harmful interference, and (2) this device must accept any interference received, including interference that may cause undesired operation.

Tools Required

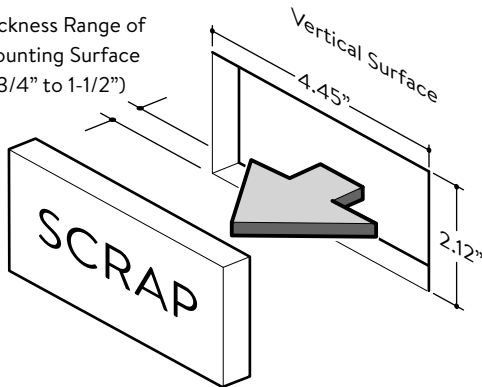


1 Cutout Opening for Ashley Uno Bezel Assembly

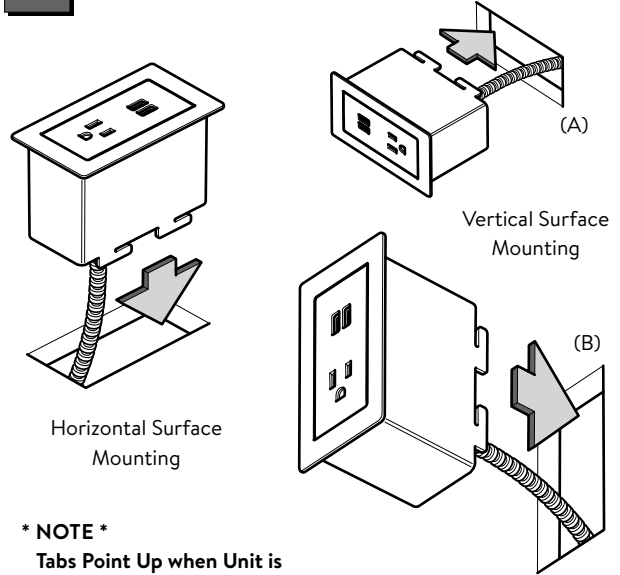
*** NOTE ***

Max Radius on Cutout Corners is 1/4"

Thickness Range of Mounting Surface (3/4" to 1-1/2")



2 Install Ashley Uno Bezel Assembly into Cutout

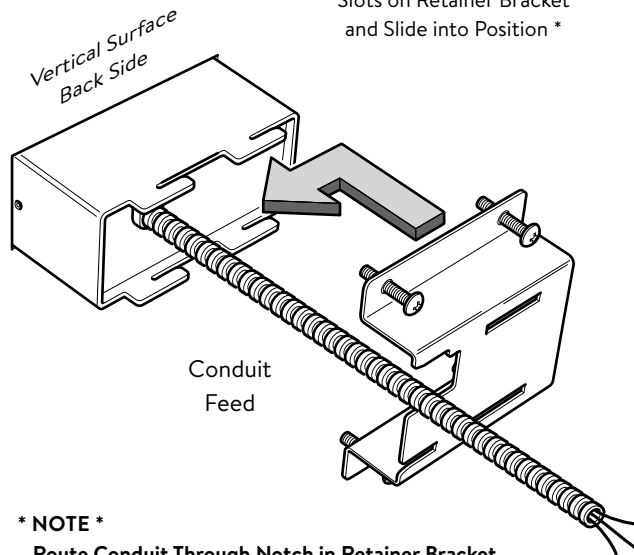


*** NOTE ***

Tabs Point Up when Unit is Installed Vertically - See Vertical Orientation (B)

3 Install Retainer Bracket

* Align Tabs on Bezel with Slots on Retainer Bracket and Slide into Position *

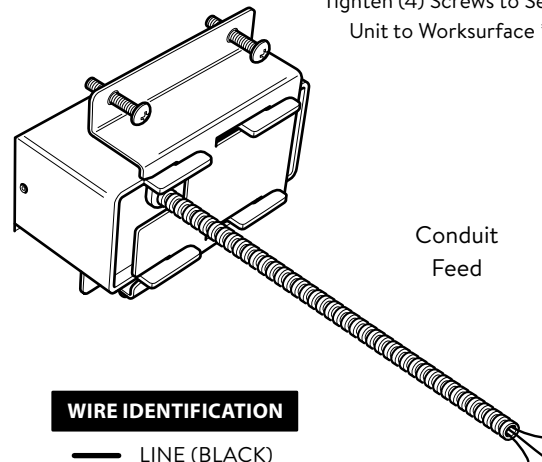


*** NOTE ***

Route Conduit Through Notch in Retainer Bracket

4 Route Conduit to Nearest Power Distribution Source

* Tighten (4) Screws to Secure Unit to Worksurface *



WIRE IDENTIFICATION

- LINE (BLACK)
- GROUND (GREEN)
- NEUTRAL (WHITE)



2505 Dekko Drive
 Garrett, IN 46738
 Customer Service: 800.357.5622

ASHLEY UNO BEZEL
 - Conduit -
Horizontal & Vertical Surface Mounting
Installation Instruction Template

This device complies with part 15A of the FCC Rules. Operation is subject to the following two conditions: (1) This device may not cause harmful interference, and (2) this device must accept any interference received, including interference that may cause undesired operation.

