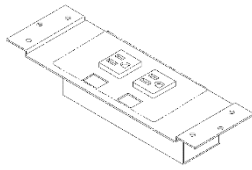


Components & Hardware



(A) Villa, Qty. 1



(B) #8 x .75"
Qty. 10



(C) P-clamp
Qty. 4

Tools Needed

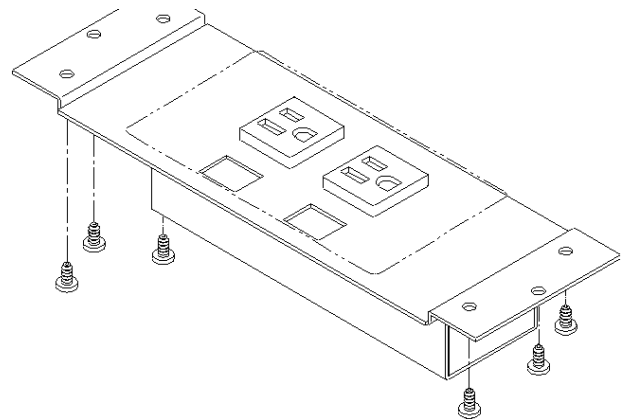
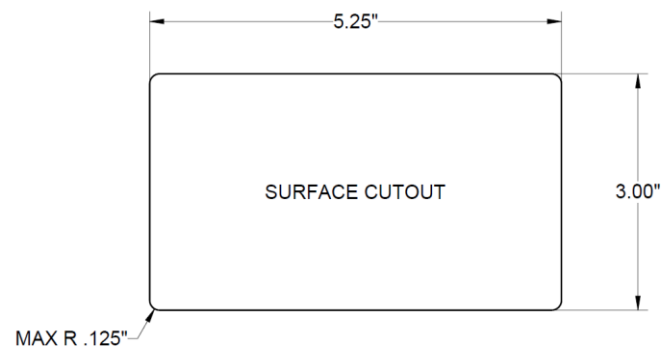


For use with: Surface Thickness: 1" or greater with supplied hardware.

Note: *Take care not to pierce finished surfaces.

Installation Instructions:

- 1-** Provide 5.25"x3.00" cutout at location Villa will be mounted. Corners can have a maximum of a 1/8" radius.
- 2-** Attach Villa (A) to surface from underside using screws (B) provided as shown*. Center receptacles in opening as shown.
- 3-** Connect power and data cabling as needed.
- 4-** Use P-Clamps (C) and remaining screws (B) to route cord and attached to underside of work surface as needed.



Plug into an appropriate outlet that is properly installed and grounded in accordance with all local codes and regulations.