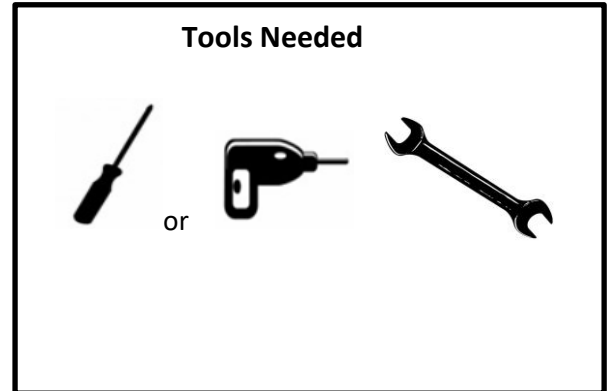
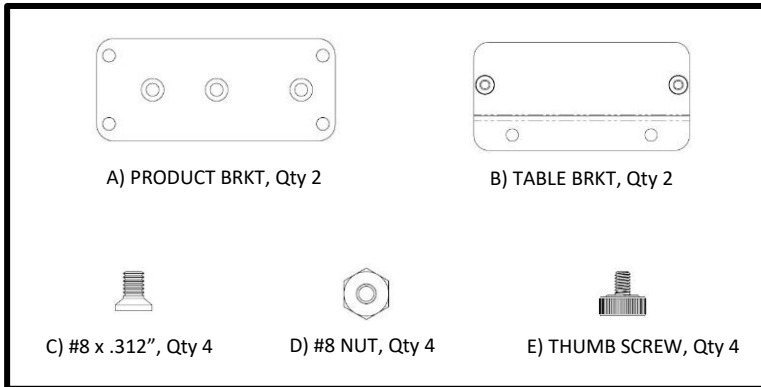


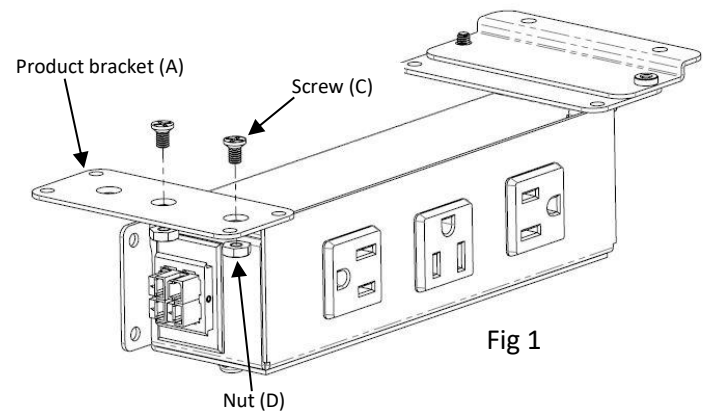
THUMB SCREW MOUNT INSTALLATION



FOR USE WITH: Villa UM and Ashley In-Line (not shown)

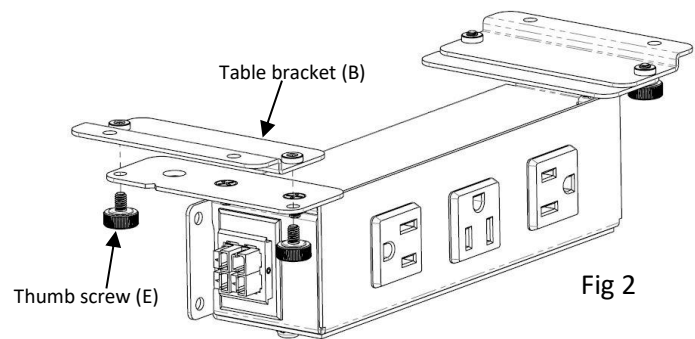
Note: * Unused connector openings are not required to be capped; however a cap is available from the factory if desired.

1- Secure product brackets (A) to product as shown using screws (C) and nuts (D). Fig 1
 *Use two outer holes in the product brackets for assembly to the Ashley. Fig 4



2- Secure table brackets (B) to product brackets (A) as shown using thumb screws. (E) Fig

3- Secure table brackets in desired location to the underside of the table using screws provided with either Villa UM or Ashley In-line. Fig 3



4- Connect all power and data cabling as needed.

