

DEKKO

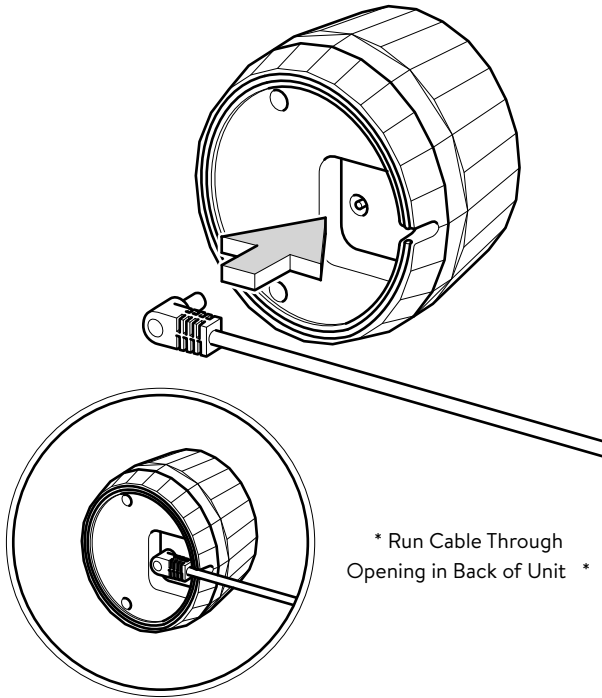
2505 Dekko Drive
Garrett, IN 46738
Customer Service: 800.357.5622

LUNA FREESTANDING

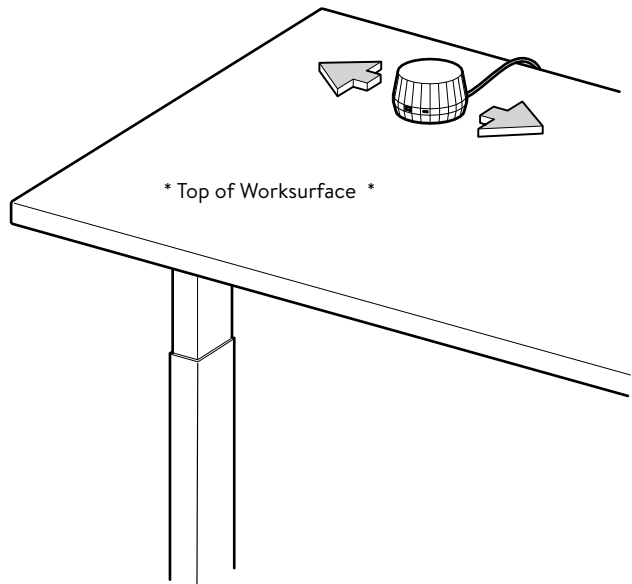
- Corded -
Above Worksurface Positioning
Installation Instruction

This device complies with part 15A of the FCC Rules. Operation is subject to the following two conditions: (1) This device may not cause harmful interference, and (2) this device must accept any interference received, including interference that may cause undesired operation.

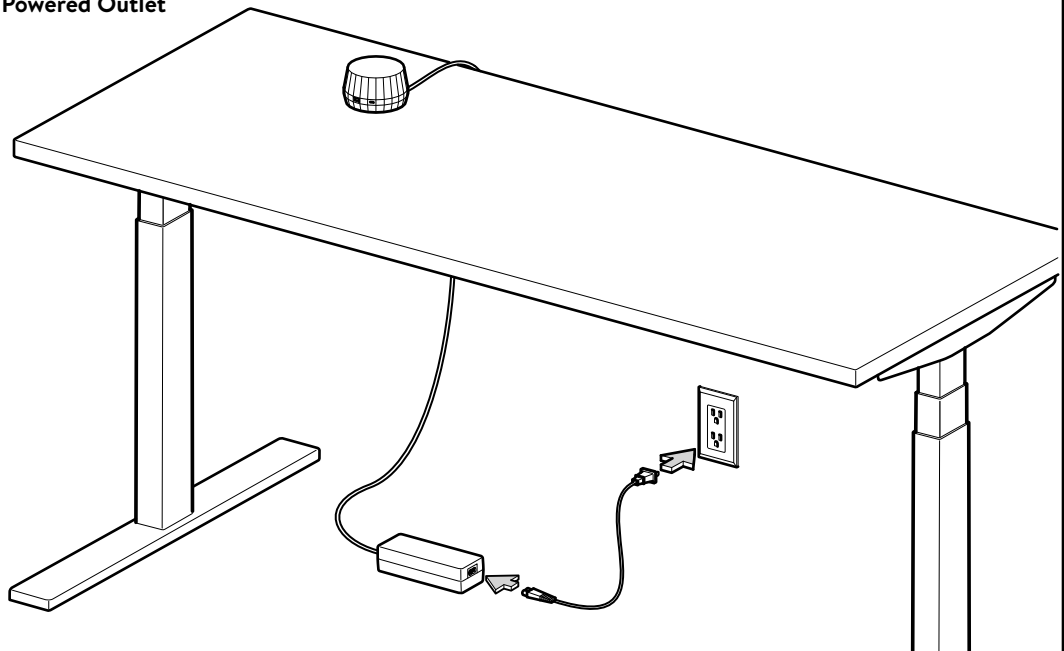
1 Plug DC Connector from Power Brick into Bottom of Unit



2 Position Luna Freestanding Unit in Desired Location on Worksurface



3 Plug Power Cord into Power Brick and then into a Powered Outlet



E.C.N. No: GD20-001511

Part Number: G110399

Page Number: 1 of 1

Revision: A

POWER AND DATA

**STU
DIO**

BY DEKKO