

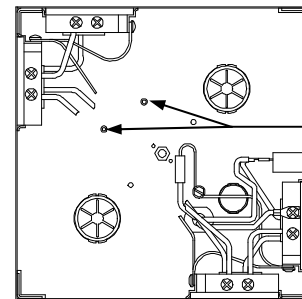
Intercept Latch Replacement Procedure

Latch Removal

1. Unplug Intercept from power before performing any work as described below. (Note: data connections do not need to be disconnected)
2. Remove the Tabletop on the Intercept to expose the Cover/Divider.
3. Remove screws "A" (qty 8) from around the perimeter of the Intercept. Retain screws for reassembly.
4. Once the screws are removed lift up and remove the Top Flanges (qty 4) and set aside for use during reassembly.
5. Remove screws "B" (qty 2) from the underside of the Intercept and retain for reassembly.
6. Lift Cover/Divider up and out of Intercept to expose wiring compartment.
7. Identify ends of rivets that hold latch in place and clip off using a wire cutter. Use caution not to damage any wiring.
8. Remove the latch from below. It will be necessary to pry the latch away from housing as it's also attached with a double sided tape.

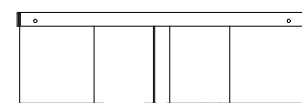
Latch Installation

1. Before removing the adhesive liner punch holes through it using a sharp object so screws or rivets can pass through.
2. Once the holes have been cleared remove the adhesive liner.
3. If attaching latch with screws insert screws through mounting holes in latch and then up through rivet holes in housing base.
4. If attaching with rivets attach latch to housing base so rivet holes line up with mounting holes.
5. Attach latch with nuts from above or with rivets.
6. Reassemble Cover/Divider, Top Flanges and Tabletop as they were removed above.



Latch Rivet
Qty 2

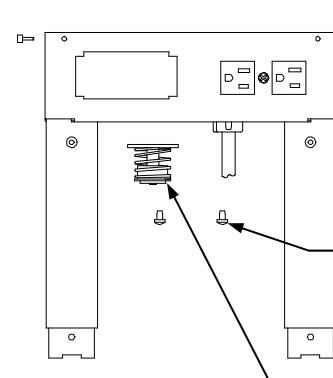
Inside of
Housing



Cover/Divider



Top Flange
Qty 4

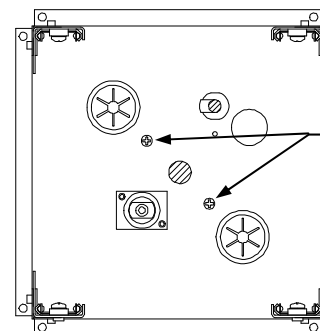


Screw A
Qty 8

Intercept
Housing

Screw B
Qty 2

Latch



Screw B
Qty 2

Underside
of Housing