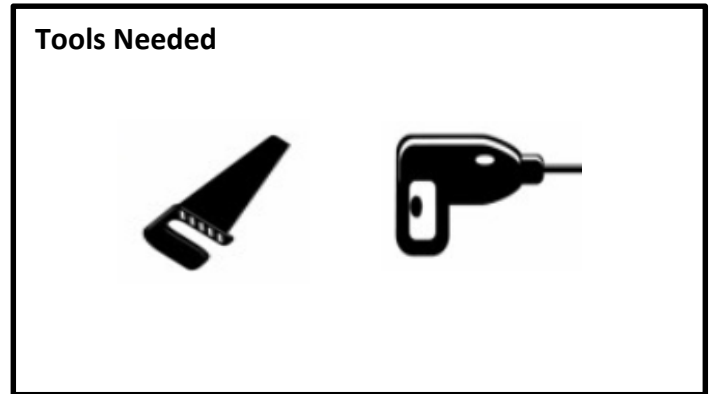
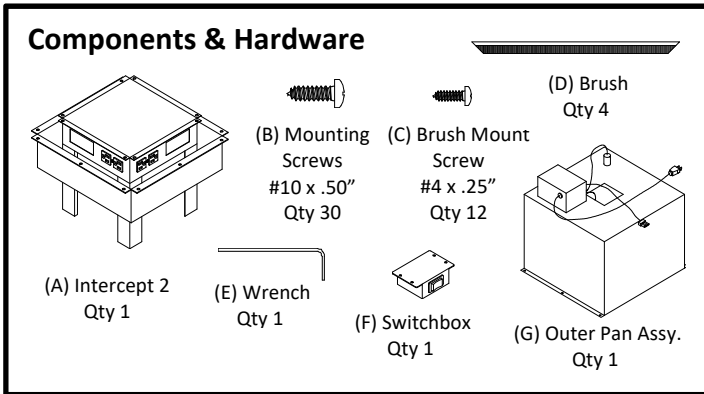


INTERCEPT 2 INSTALLATION



For use with: Do not use provided screws on table thicknesses less than .75"

Table Thickness: .75" – 1.625"

Table Cutout: 13.125" x 13.125" (finished dimension)

Cutout Piece Size: 11.625 x 11.625" (finished dimension)#

*Use caution not to pierce top surface with screws.

If Brushes (D) or AK-99 is to be used

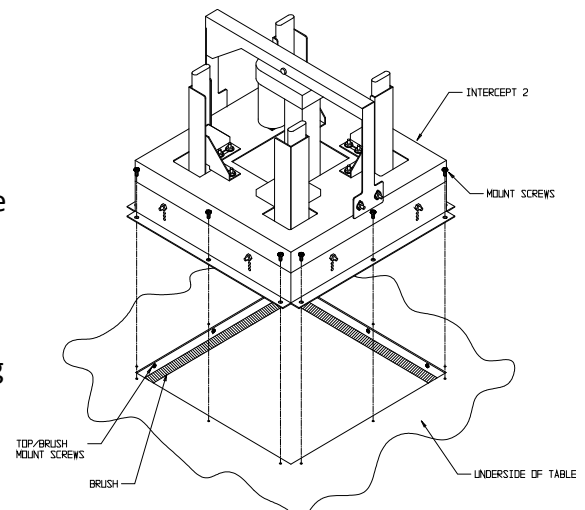
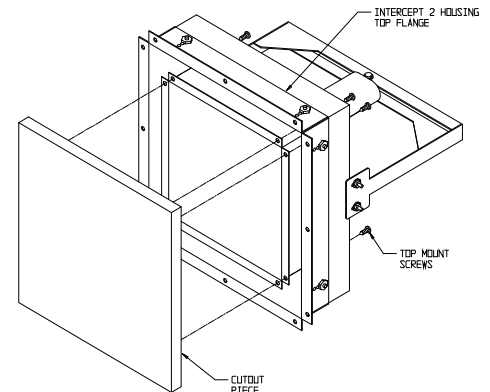
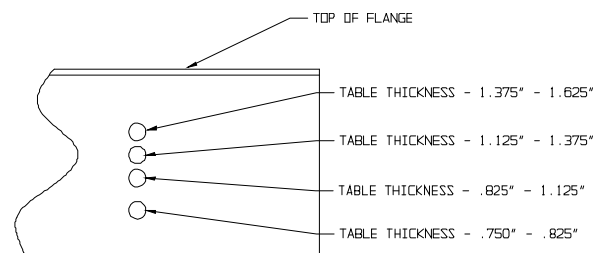
1- Prepare table per instructions on Table preparation Sheet.
Be sure to retain portion of cutout table top if it is intended to be finished top of Intercept 2 (A).

2- Table Thickness Adjustment – The Inner Pan has four adjustable mounting flanges that must be set for the specific table thickness the Intercept is being installed into, see detail. To adjust remove lock nuts, 2 per flange, and move flange to the correct hole that corresponds to the table thickness. Reinstall and tighten lock nuts to secure flanges into pan.

3- Table Cutout Mounting – Attach Cutout Piece, from Table Preparation Sheet (9065-0003), to top of main housing using Mounting Screws (B)*. Each screw will go thru hole in housing top flange and into pilot hole in Cutout Piece.

4- Intercept 2 Mounting – Secure the Intercept to the underside of table, as shown, using Mounting Screws (B)*. Note: Center Intercept 2 on table cutout.

5- Brush Mounting – Secure 4 Brushes (D) around table opening using Brush Mount Screws (C). Note: Brushes are mitered in corners. Use care to ensure Brushes are flush to top surface and square in corners.



INTERCEPT 2 INSTALLATION

6- Intercept 2 Adjustment – The Intercept 2 can be adjusted to make the Cutout Piece centered in Brushed and flush with table top.

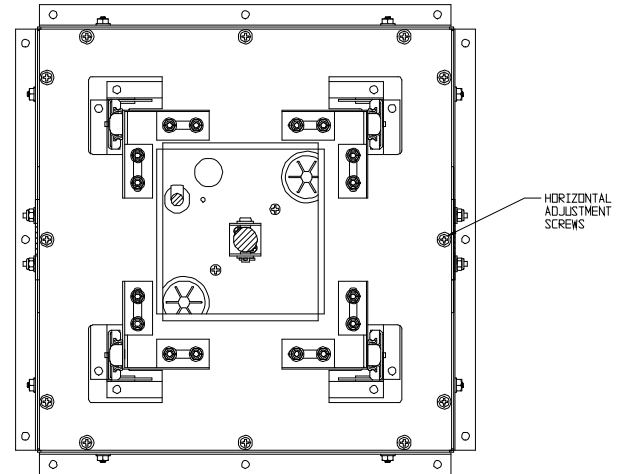
6A - Horizontal Adjustment – There are 12 horizontal adjustment screws on the underside of the Intercept. To center the Cutout Piece within the brushes or table cutout loosen the horizontal adjustment screws, Note: do not remove screws or Intercept will fall from mounted location, and move as required to center in opening. Tighten screws when finished.

6B – Vertical Adjustment – There are 8 vertical adjustment screws on Intercept housing, 2 per face. To make top of Cutout piece flush with table surface loosen vertical adjustment screws with wrench (E) as required and shift Cutout Piece as needed. Tighten screws when done.

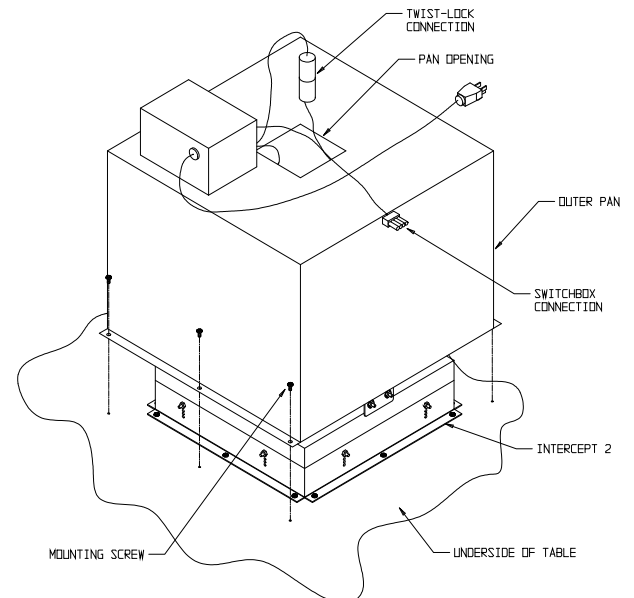
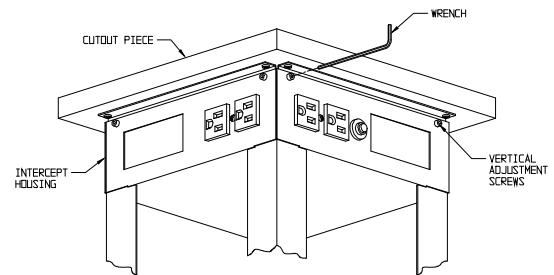
7- Outer Pan Assy. Mounting – Position the Outer Pan Assy. (G) around the mounted Intercept 2 and attach to underside of table using Mounting Screws (B). Be sure to feed cord from Intercept 2 thru opening in bottom of pan before mounting to table.

8- Switchbox Mounting – Mount Switchbox (F) to underside of table at location where it will be easily accessible using Mounting Screws (B). Connect switchbox connection from Outer Pan Assy. to Switchbox. Route cable out of way as needed.

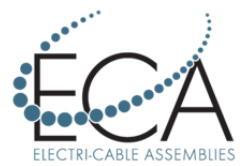
9- Install Data – Install data as required by snapping A-Plates into housing cutouts and feed cables thru shutter bushings in housing, down thru opening in inner pan and out pan opening. Note: Make sure cables do not interfere with Intercept 2's operation. When routing data wire make sure to provide a service loop so Intercept 2 can fully operate up and down without damaging cables.



Shown with Motor & Bracket Removed



INTERCEPT 2 INSTALLATION



10- Connect Power – Connect Intercept 2 to power as required.

10A – Connect Twist-Lock connection between Intercept 2 and Outer Pan Assy. Ensure connection is fully engaged and locked in place.

10B – Connect Outer Pan Assy. to power outlet.

11- Test Operation – Test operation of Intercept 2 by pressing raise on switchbox. Intercept 2 should fully raise and automatically stop at full extension. To close press on down side of switch until Intercept 2 is fully closed. Be sure that all wires are routed out of all moving parts, and that wires do not restrict smooth and complete movement of Intercept 2.