

L600 LED Surface Mounted Luminaire

Installation Instruction Sheet

Linear Fixtures

INSTALLATION INSTRUCTIONS FOR JOINING AND SUSPENDING FIXTURES

WARNING

To reduce the risk of death, injury or property damage from fire, electric shock, cuts, abrasions, falling parts and other hazards:

- Service of the equipment must be performed by qualified service personnel.
- Installation and maintenance must be performed by a person familiar with the construction and operation of this product and any hazards involved. All applicable codes and ordinances must be followed.
- Read this document before installing, servicing or maintaining this equipment. These instructions do not cover all installation, service and maintenance situations. If your situation is not covered, or, if you do not understand these instructions or additional information is required, contact your local distributor.
- Read and follow all warnings and instructions provided by the lamp manufacturer.

WARNING

- Before installing, servicing or maintaining this equipment, follow these general precautions. To reduce the risk of electrocution:
- Make sure the equipment is properly grounded.
- Always de-energize the circuit and/or equipment before connecting to, disconnecting from or servicing the equipment.

To prevent luminaire row from over-current:

- By adding the input current of each luminaire section marked on the luminaire, the total current per power feed must not exceed the maximum line wire amperage marked on the luminaire and the power feed /wire amperage rating whichever is the least.

To reduce the risk of fire:

- Keep material away that can burn from hot LEDs.
- Make sure LED boards are correctly installed.
- Use supply conductors with a minimum installation temperature rating as specified on equipment.

To reduce the risk of personal injury from cuts, abrasions or falling parts:

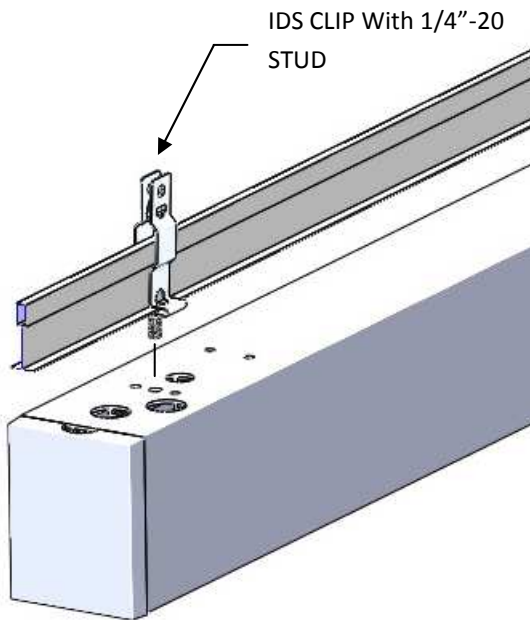
- Wear gloves to prevent cuts or abrasions from sharp edges when removing from carton, handling and maintaining this equipment.
- Do not use abrasive materials, glass cleaners or other solvents on reflector or lens. These substances may damage equipment and cause parts to eventually break and fall.
- Do not install a damaged fixture.

L600 LED Surface Mounted Luminaire

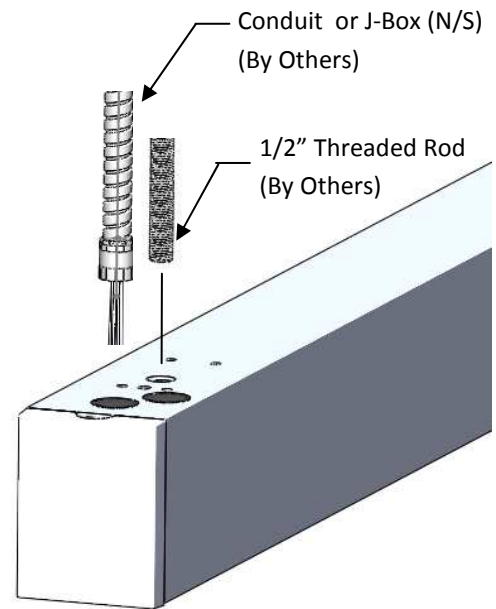
Typical Mounting Configurations

Linear Fixtures

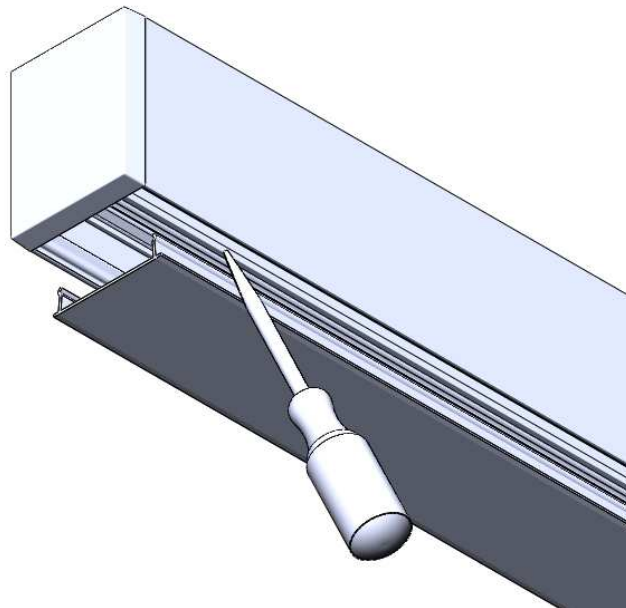
Tee Grid Ceiling System



Threaded Rod Mounting System



Direct to Surface Mounting System



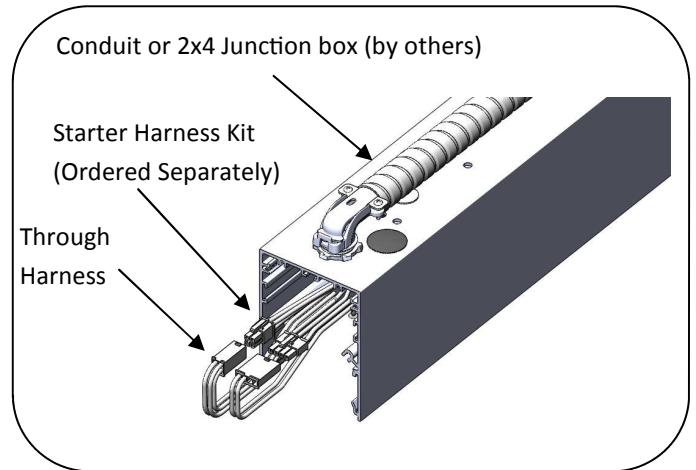
L600 LED Surface Mounted Luminaire

Installation Instruction Sheet

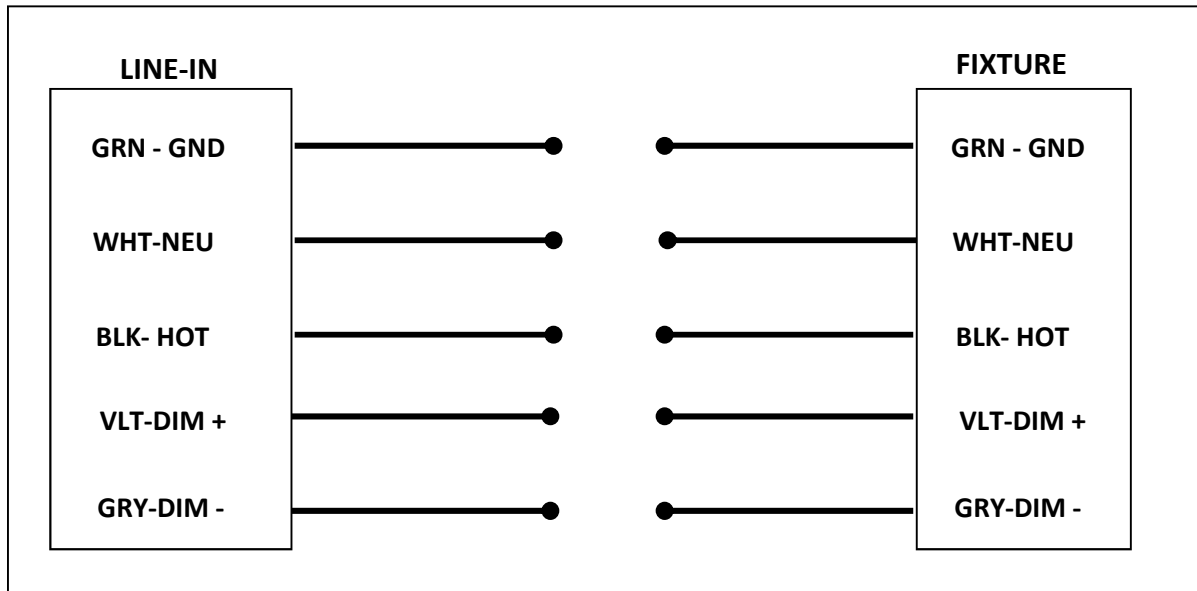
Linear Fixtures

INSTALLATION INSTRUCTIONS FOR POWER FEED

Insert building power feed using conduit into the fixture feed hole or a **2x4 Junction box** (supplied by others). Start with the first fixture and splice wiring according to the wiring diagram below. A Starter Harness must be used to connect to the through harness that will supply power to mating fixtures. Plug (supplied) any unused feed holes.



General Wiring Diagram



For special circuitry consult factory	
LINE WIRE COLOR	CIRCUIT DESCRIPTION
BLK	CIRCUIT A—HOT
WHT	CIRCUIT A & B— NEUTRAL
RED	CIRCUIT B— HOT
GRN	GROUNDING
VLT	DIMMING CONTROL 1
GRY	DIMMING CONTROL 2
ORG	EHS or EHF—HOT
WHT/ORG	EHS or EHF— NEUTRAL

L600 LED Surface Mounted Luminaire

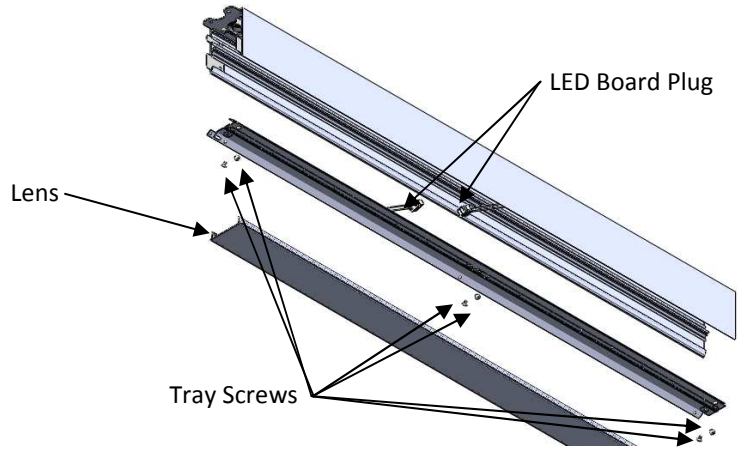
Linear Fixtures

SURFACE MOUNTING INSTALLATION INSTRUCTIONS

Prepare fixture for mounting:

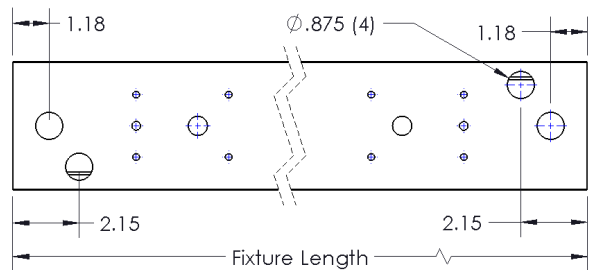
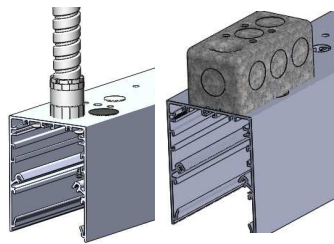
Remove Lens from fixture.

Remove Reflector Tray from fixture by removing screws and disconnecting LED board wiring plug (Orange connector).



Connect building power

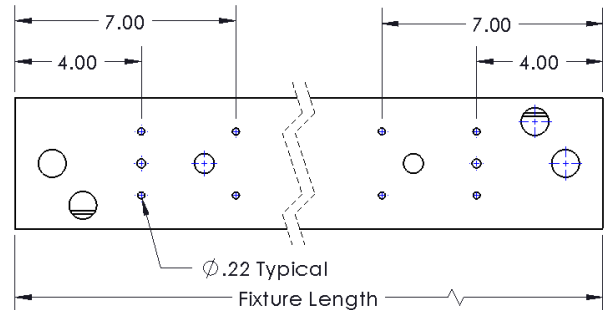
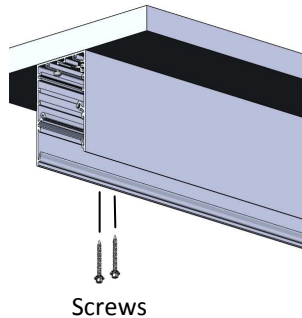
Conduit (by others) to one of four connection holes or inside **2x4 J-Box** (by others) on back of the fixture. Plug unused feed holes.



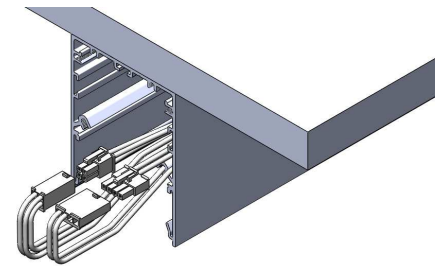
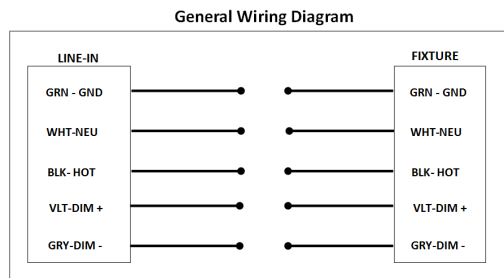
Mount First Fixture to Ceiling:

Start row with end of fixture without aligner brackets.

Secure fixture to surface with screws (by others) on both ends. Mounting hole pattern as shown (on right). Fixture is 3 lbs./ft.



Splice Building power wiring to starter harnesses (see wiring diagram) and connect starter harnesses to through harness for continuous row power.

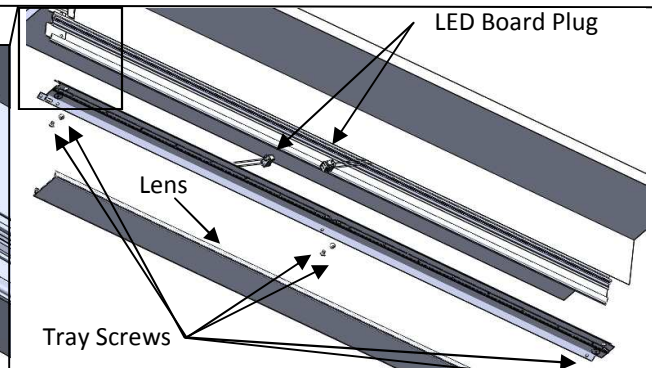
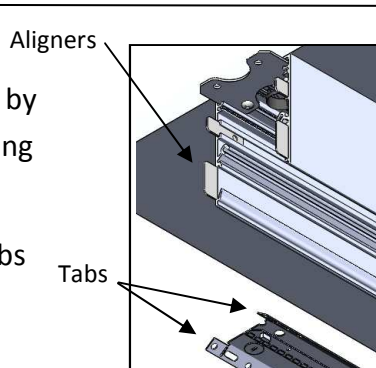


Reassemble Fixture:

Attach Reflector Tray to fixture by connecting the LED board wiring plug (Orange connector).

Fasten Tray into fixture with tabs extending out on aligner end.

Snap Lens into place.



L600 LED Surface Mounted Luminaire

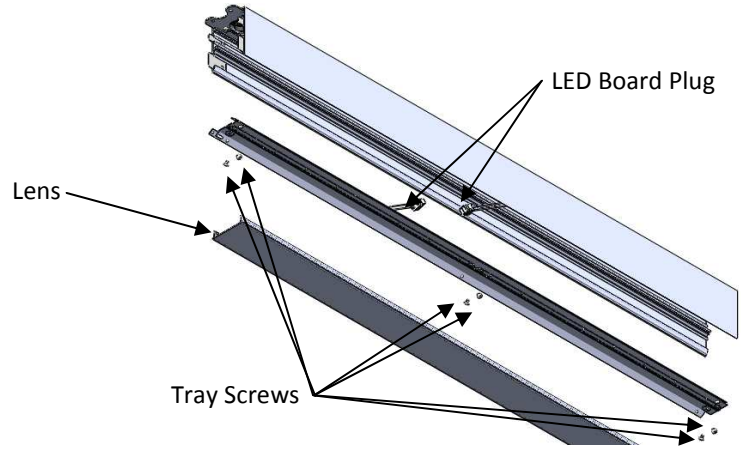
Linear Fixtures

THREADED ROD MOUNTING INSTALLATION INSTRUCTIONS

Prepare fixture for mounting:

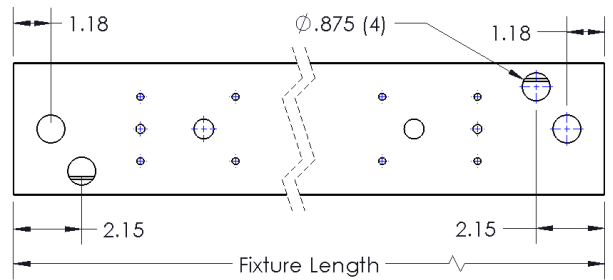
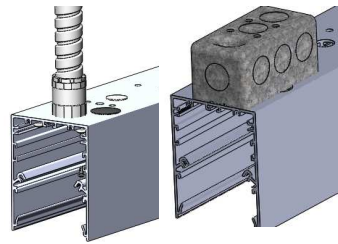
Remove Lens from fixture.

Remove Reflector Tray from fixture by removing screws and disconnecting LED board wiring plug (Orange connector).



Connect building power

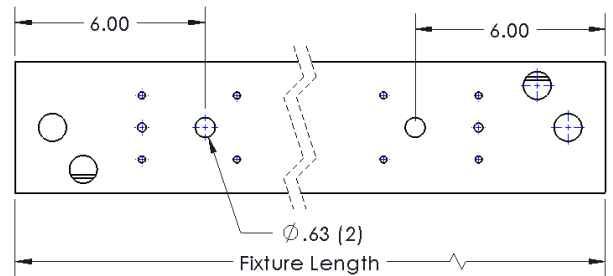
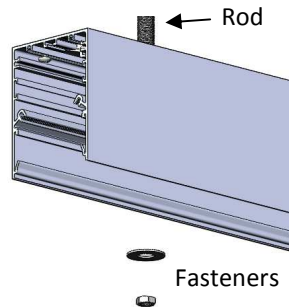
Conduit (by others) to one of four connection holes or inside 2x4 J-Box (by others) on back of the fixture. Plug unused feed holes.



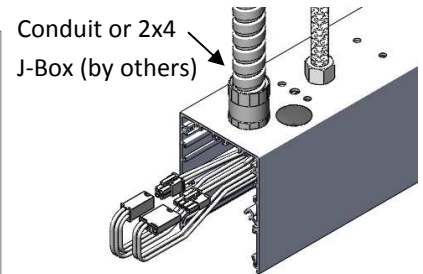
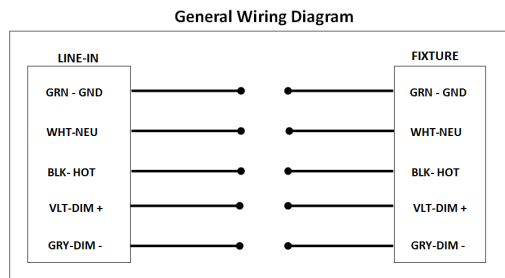
Mount First Fixture to Rods:

Start row with end of fixture without aligner brackets.

Secure fixture to Rod (by others) and nut (by others) on ends and inside



Splice Building power wiring to starter harnesses (see wiring diagram) and connect starter harnesses to through harness for continuous row power.

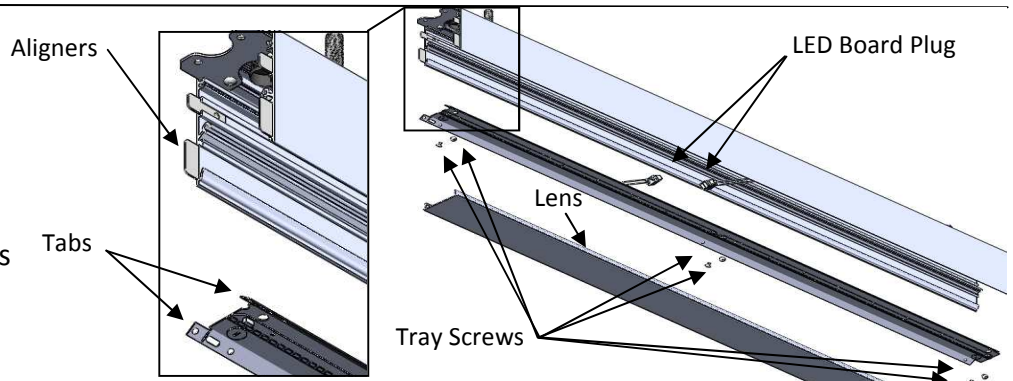


Reassemble Fixture:

Attach Reflector Tray to fixture by connecting the LED board wiring plug (Orange connector).

Fasten Tray into fixture with tabs extending out on aligner end.

Snap Lens into place.



L600 LED Surface Mounted Luminaire

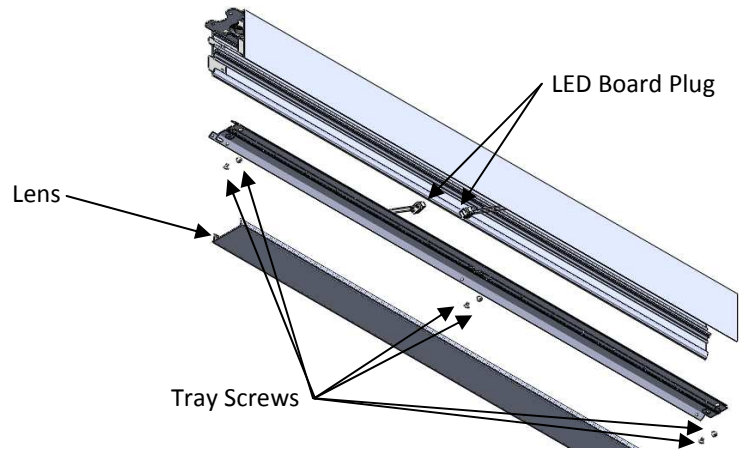
Linear Fixtures

GRID MOUNTING INSTALLATION INSTRUCTIONS

Prepare fixture for mounting:

Remove Lens from fixture.

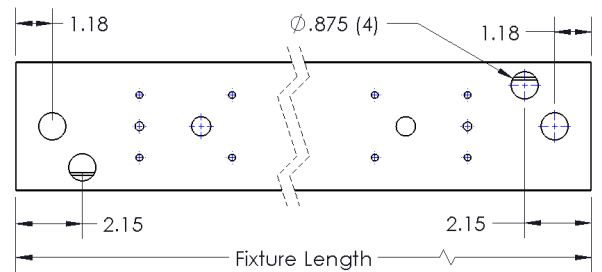
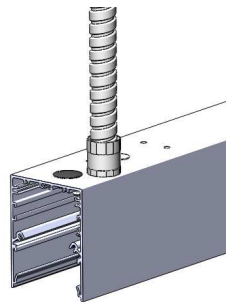
Remove Reflector Tray from fixture by removing screws and disconnecting LED board wiring plug (Orange connector).



Connect building power conduit (by others) to one of 2 non-centered connection holes on the back of the fixture. Plug unused feed holes (plugs supplied).

Remove Lens from fixture.

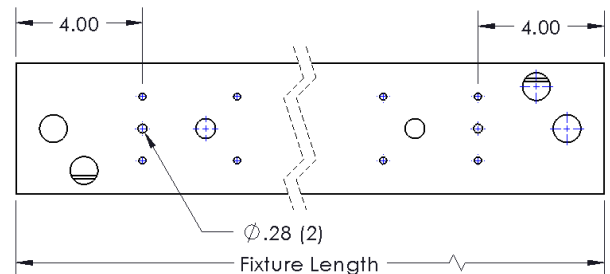
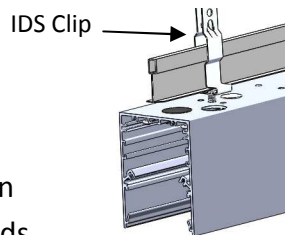
Remove Reflector Tray from fixture by removing screws and disconnecting LED board wiring plug (Orange connector).



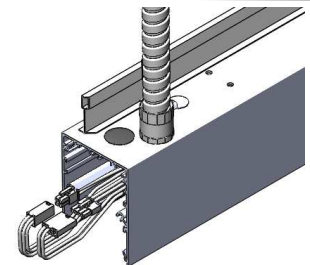
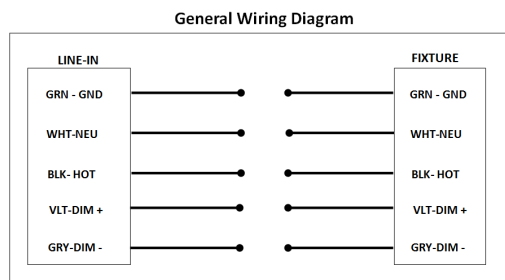
Mount First Fixture to IDS Clips:

Start row with end of fixture without aligner brackets.

Secure fixture to IDS Clips and fasten with supplied flange nut on both ends of fixture. Mounting hole pattern shown.



Splice Building power wiring to starter harnesses (see wiring diagram) and connect starter harnesses to through harness for continuous row power.

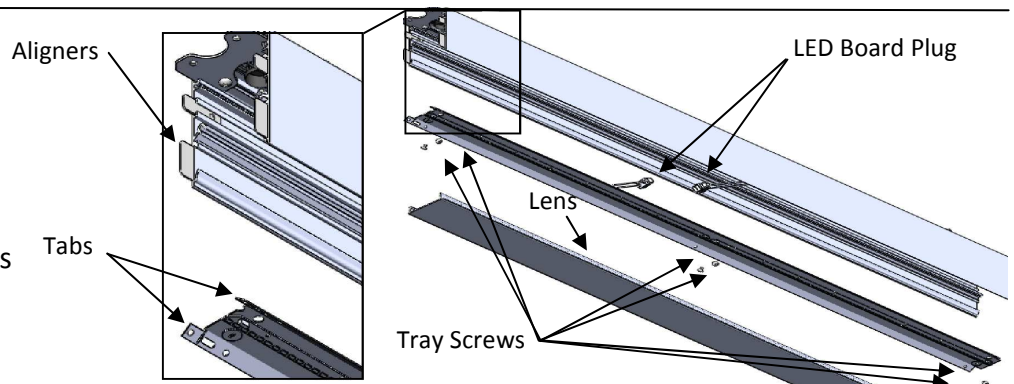


Reassemble Fixture:

Attach Reflector Tray to fixture by connecting the LED board wiring plug (Orange connector).

Fasten Tray into fixture with tabs extending out on aligner end.

Snap Lens into place.



L600 LED Surface Mounted Luminaire

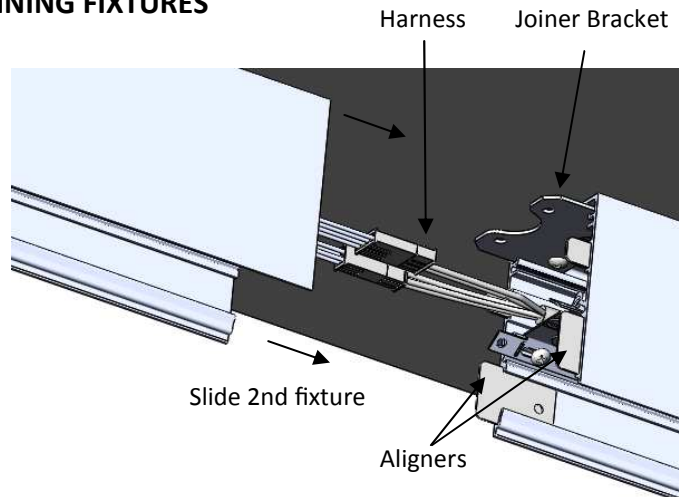
Linear Fixtures

INSTALLATION INSTRUCTIONS FOR JOINING FIXTURES

Use joiner bracket and aligners located at the end of the fixture to align and connect fixtures.

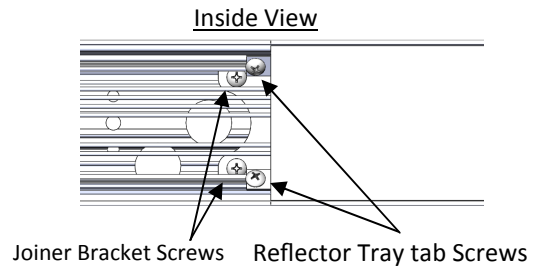
Connect Power Harness connectors.

Slide mating fixture against first fixture.



Fasten down the joiner bracket with (2) supplied screws.

After fixture is secured to ceiling, screw down Reflector Tray tabs in mating fixture (May not be on some fixtures).

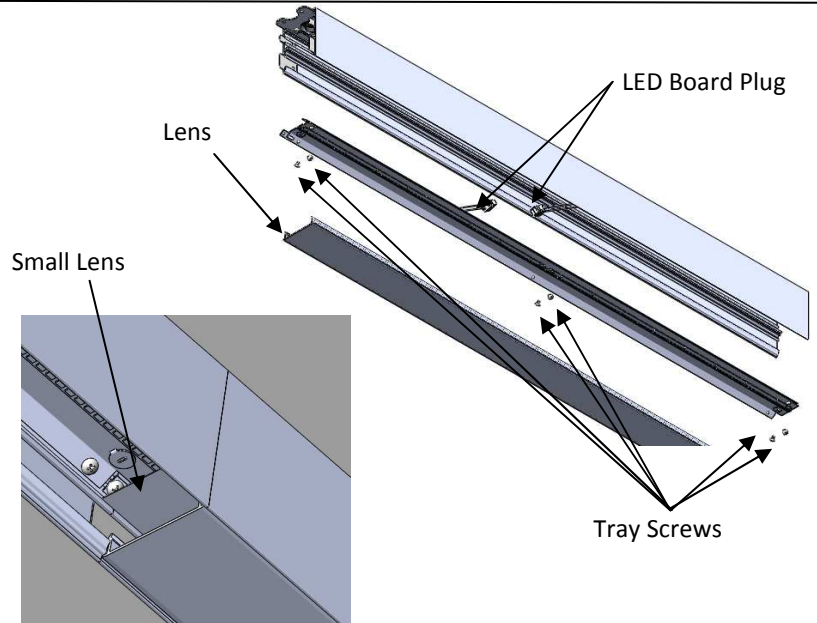


Secure mating fixture to ceiling as instructed for starter fixture.

Assemble Reflector Tray in second fixture as instructed for starter fixture.

Insert small lens section centered where Reflector Trays meet.

Repeat Instructions all joining fixtures (harnesses do not connect at new power location fixtures)



At end of row locations:

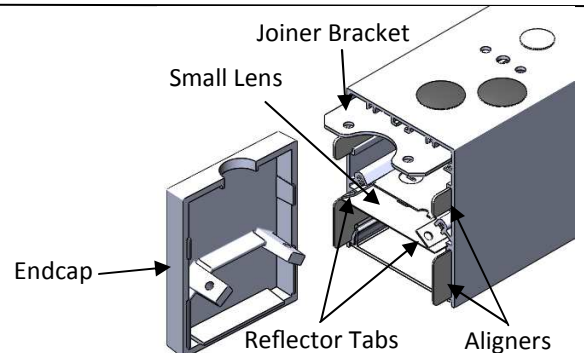
Remove joiner bracket, aligners, and Reflector tray tabs.

Small lens is placed on the end of row to avoid light leak.

Tuck in end of harness.

Attach endcaps using supplied screws.

Attach final lens.



L600 LED Surface Mounted Luminaire

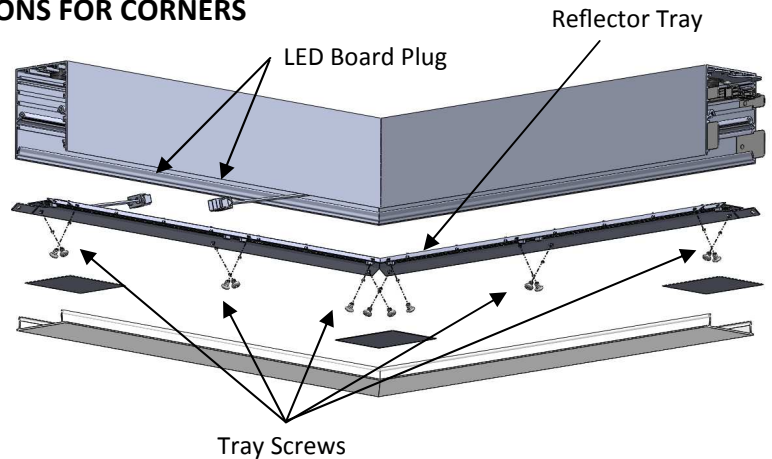
Linear Fixtures

INSTALLATION INSTRUCTIONS FOR CORNERS

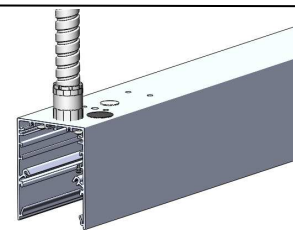
Prepare fixture for mounting:

Remove Lens from fixture.

Remove Reflector Tray from fixture by removing screws and disconnecting LED board wiring plug (Orange connector).



Connect building power conduit (by others) to one of four conduit connection holes on the back of the fixture. Plug unused feed holes (plugs supplied).



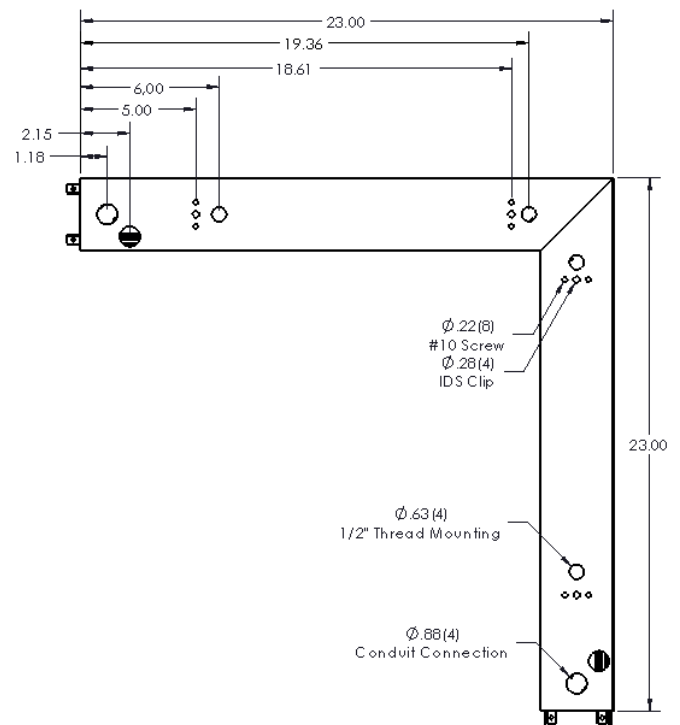
Mount and Connect to adjoining fixture:

Mount and connect fixture using linear row instructions.

Mounting hole pattern shown.

Harness adapters are provided to make left or right corners.

Aligners and joining bracket can be placed on either



Reconnect LED board wiring plugs and reassemble Reflector Tray.

Insert small lens section centered where Reflector Trays meet and in corner.

Attach harness to connecting fixture.

At End of Row locations follow linear instructions for End cap placement.

