

L600 LED Wall Mounted Luminaire

Installation Instruction Sheet

Linear Fixtures

INSTALLATION INSTRUCTIONS FOR JOINING AND HANGING FIXTURES

WARNING

To reduce the risk of death, injury or property damage from fire, electric shock, cuts, abrasions, falling parts and other hazards:

- Service of the equipment must be performed by qualified service personnel.
- Installation and maintenance must be performed by a person familiar with the construction and operation of this product and any hazards involved. All applicable codes and ordinances must be followed.
- Read this document before installing, servicing or maintaining this equipment. These instructions do not cover all installation, service and maintenance situations. If your situation is not covered, or, if you do not understand these instructions or additional information is required, contact your local distributor.
- Read and follow all warnings and instructions provided by the manufacturer.

WARNING

- Before installing, servicing or maintaining this equipment, follow these general precautions to reduce the risk of electrocution:
- Make sure the equipment is properly grounded.
- Always de-energize the circuit and/or equipment before connecting to, disconnecting from or servicing the equipment.

To prevent luminaire row from over-current:

- By adding the input current of each luminaire section marked on the luminaire, the total current per power feed must not exceed the maximum line wire amperage marked on the luminaire and the power feed cord/wire amperage rating, whichever is the least.

To reduce the risk of fire:

- Keep flammable materials away from hot LEDs.
- Make sure LED boards are correctly installed.
- Use supply conductors with a minimum installation temperature rating as specified on equipment.

To reduce the risk of personal injury from cuts, abrasions or falling parts:

- Wear gloves to prevent cuts or abrasions from sharp edges when removing from carton, handling and maintaining this equipment.
- Do not use abrasive materials, glass cleaners or other solvents on reflector or lens. These substances may damage equipment and cause parts to eventually break and fall.
- Do not install a damaged fixture.

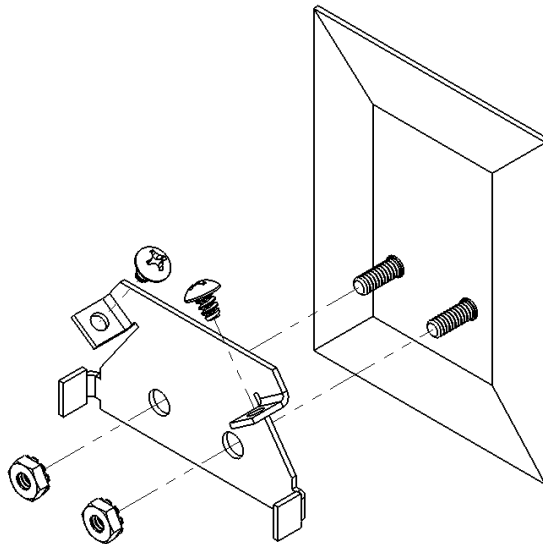
L600 LED Wall Mounted Luminaire

End Cap Installation

Linear Fixtures

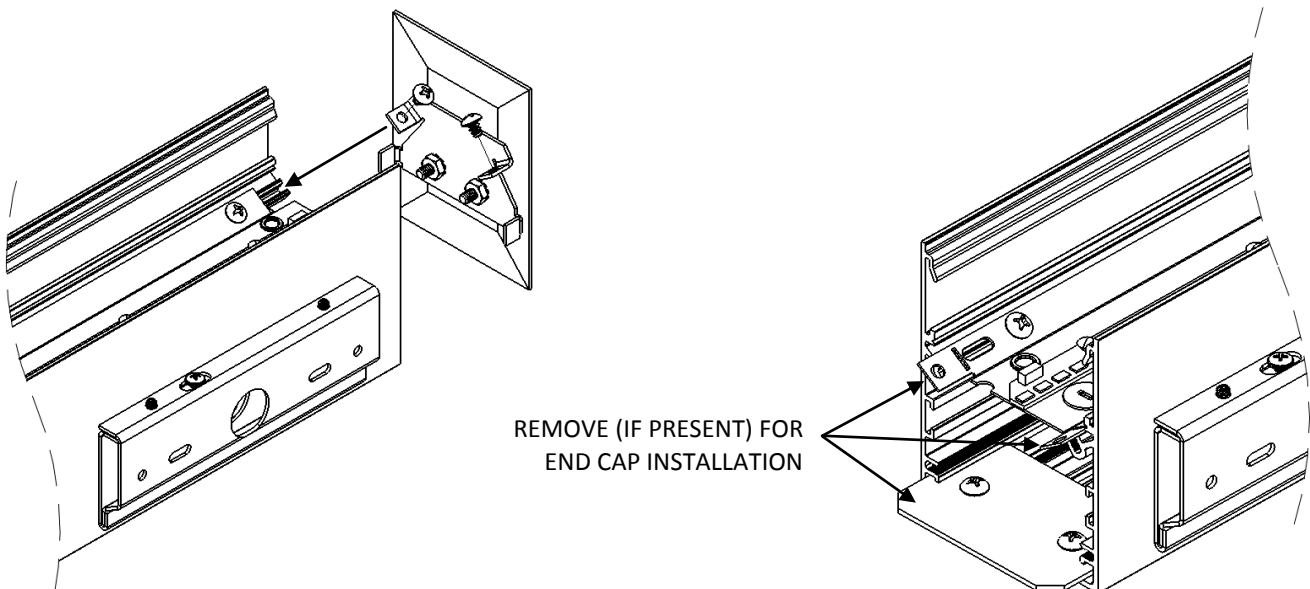
NOTE: THE END CAP KIT IS ORDERED SEPARATELY FROM THE LUMINAIRE. EACH KIT CONTAINS THE COMPONENTS AND HARDWARE NECESSARY TO INSTALL AN END CAP ON ONE END OF A LUMINAIRE (FOR STARTERS OR ENDERS). IF THE LUMINAIRE IS AN INDIVIDUAL, TWO END CAP KITS MUST BE USED.

1. ASSEMBLE THE END CAP AS SHOWN IN THE ILLUSTRATION BELOW, USING THE HARDWARE PROVIDED IN THE END CAP KIT. THE TWO SCREWS SHOWN ARE USED IN THE NEXT STEP TO INSTALL THE END CAP INTO THE LUMINAIRE.



2. TEST-FIT THE END CAP INTO THE LUMINAIRE BEFORE INSTALLING TWO SCREWS. ENSURE THAT THE EDGES OF THE END CAP LINE UP WITH THE EDGES OF THE LUMINAIRE. IF NECESSARY, LOOSEN THE TWO NUTS AND RE-ALIGN THE END CAP AS NEEDED FOR A FLUSH LOOK BEFORE RE-TIGHTENING. INSTALL TWO SCREWS (PROVIDED) TO ATTACH THE END CAP TO THE LUMINAIRE.

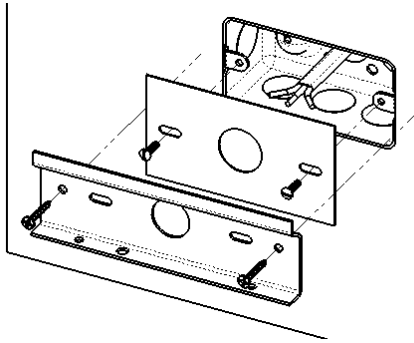
NOTE: ONE END OF THE LUMINAIRE IS PROVIDED WITH JOINING TABS AND AN ALIGNMENT PLATE FOR ROW MOUNTING. IF THE END CAP IS INSTALLED IN THIS END, THESE MUST BE REMOVED BEFORE INSTALLATION.



L600 LED Wall Mounted Luminaire

Typical Mounting Configuration

Linear Fixtures

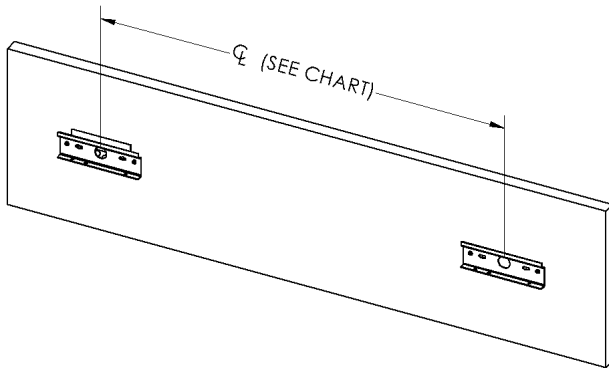


1. INSTALL 2" X 4" SWITCH BOX (NOT PROVIDED) FOR POWER FEED.

USE CHALK LINE OR LASER TO MARK POSITION OF OTHER BRACKETS FOR FIXTURE OR ROW OF FIXTURES.

NOTE: THE LUMINAIRE SHIPS FROM THE FACTORY WITH THE FIXTURE BRACKETS IN THE DOWNLIGHT POSITION. IF UPLIGHT IS DESIRED, THE FIXTURE BRACKET CAN BE FLIPPED UPSIDE DOWN BY REMOVING THE TWO SCREWS ATTACHING IT TO THE LUMINAIRE.

WARNING: ENSURE THAT MOUNTING LOCATION AND METHOD IS SUFFICIENT TO SUPPORT 40 LBS OF WEIGHT PER BRACKET LOCATION.



FIXTURE LENGTH	C LENGTH	BRACKETS/FIXTURE
2'	16-1/8"	2
3'	28-1/8"	2
4'	40-1/8"	2
8'	72-1/8"	2

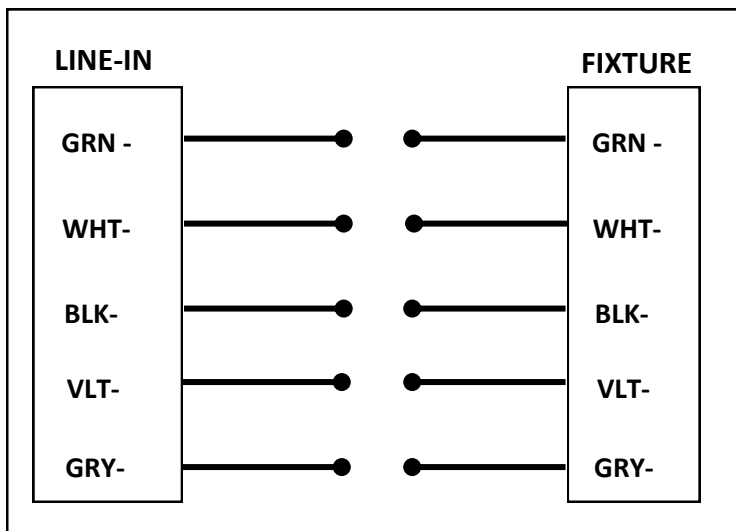
NOTE: ADD 1/8" TO STATED FIXTURE LENGTH FOR ACTUAL FIXTURE LENGTH (E.G. - 2' ACTUAL LENGTH = 24-1/8").

2. PULL POWER FEED WIRES (AND DIMMING WIRES IF DIMMING IS DESIRED) THROUGH CENTER HOLE OF COVER PLATE AND WALL BRACKET. SECURE COVER PANEL AND WALL BRACKET TO SWITCH BOX AND WALL WITH MACHINE SCREWS AND DRYWALL SCREWS (NOT PROVIDED).

3. CONNECT WIRING - CONNECT FEED WIRES FROM LUMINAIRE TO FEED WIRES IN SWITCH BOX PER LOCAL ELECTRICAL CODE, PER THE WIRING DIAGRAM IN THESE INSTRUCTIONS. CONNECT DIMMING WIRES IF NEEDED.

4. HANG AND LEVEL LIGHT - PLACE LUMINAIRE ONTO THE WALL, LINING UP AND PLACING THE FIXTURE BRACKETS ONTO THE WALL BRACKETS SO THAT THEY HOOK TOGETHER. CHECK THAT THE FIXTURE IS LEVEL. IF NECESSARY THE SET SCREWS IN THE BOTTOM OF THE WALL BRACKET MAY BE USED TO ADJUST THE LEVEL SLIGHTLY. SECURE IN PLACE WITH CAP SCREW (PROVIDED).

General Wiring Diagram



For special circuitry consult factory	
LINE WIRE COLOR	CIRCUIT DESCRIPTION
BLK	CIRCUIT A—HOT
WHT	CIRCUIT A & B— NEUTRAL
RED	CIRCUIT B— HOT
GRN	GROUNDING
VLT	DIMMING CONTROL 1
GRY	DIMMING CONTROL 2
ORG	EHS or EHF—HOT
WHT/ORG	EHS or EHF— NEUTRAL