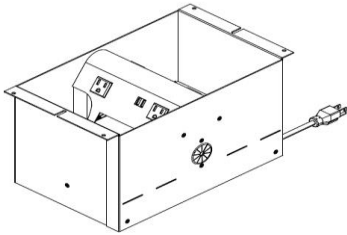


Components & Hardware



Tools Needed



Notes: * Ensure all screws will not pierce finished work surface.
** It is important that the Marina is centered in cutout and there is a consistent air gap between the Marina and opening.

Surface Preparation:

- 1- Provide a cutout in surface for the Marina Power Dock at desired location as shown in Fig.1. (Note Fig. 1 represents underside of work surface).
- 2- Mark or pilot drill the location for center mounting screws as shown in Fig.1. *

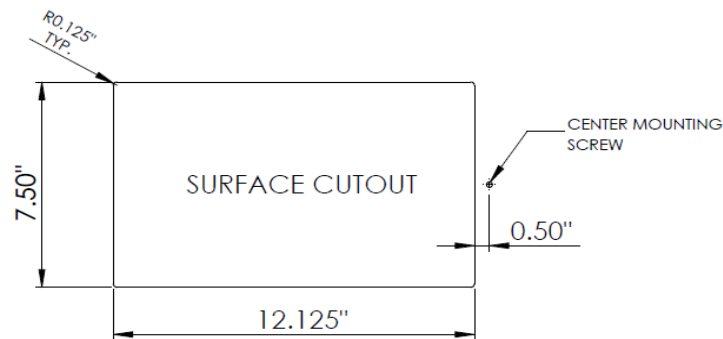
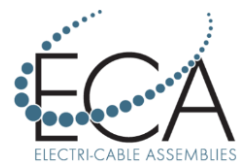


Fig. 1

Marina Power Dock Installation:

- 1- Install 1 - #10 pan head screw (not provided) into center mounting screw position on underside of work surface, see Fig.1. Do not fully tighten screw at this point.
- 2- Insert middle flange slot of one end of the Marina onto mounting screw to support the Marina while installing 2nd - #10 pan head screw (not provided) align with the other center mounting screw position. Do not fully tighten screws at this point.
- 3- Center the Marina in the cutout and secure to underside of surface using remaining holes in side flanges.**
- 4- Tighten center screws from step 1 and 2 above.

MARINA POWER DOCK INSTALLATION



Making Connections:

- Connect power cord to 120 VAC outlet.

Marina Power Dock technical specification:

- Power
 - 5, 120 VAC spill resistant receptacles.
 - 4, USB charging ports that work with USB compatible devices. Each pair capable of (2.1A, 11 Watts, 5V/DC)
 - Integral circuit breaker protection. (located on bottom of unit)
- Regulatory compliance
 - Safety – cETLus
- Shipping
 - Weight – 12 lbs.
 - Carton – 16" x 12" x 12"

Warranty

This product is warranted for a period of one (1) year from the date of purchase. This warranty is null and void in the case of abuse, uses outside its normal intended use, or field modifications made in any manner.