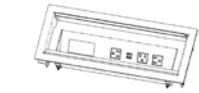


REEF INSTALLATION

Components & Hardware



(A) REEF, Qty. 1



(B) Thumb Screw, Qty. 2



(C) Clamp, Qty. 2

Tools Needed



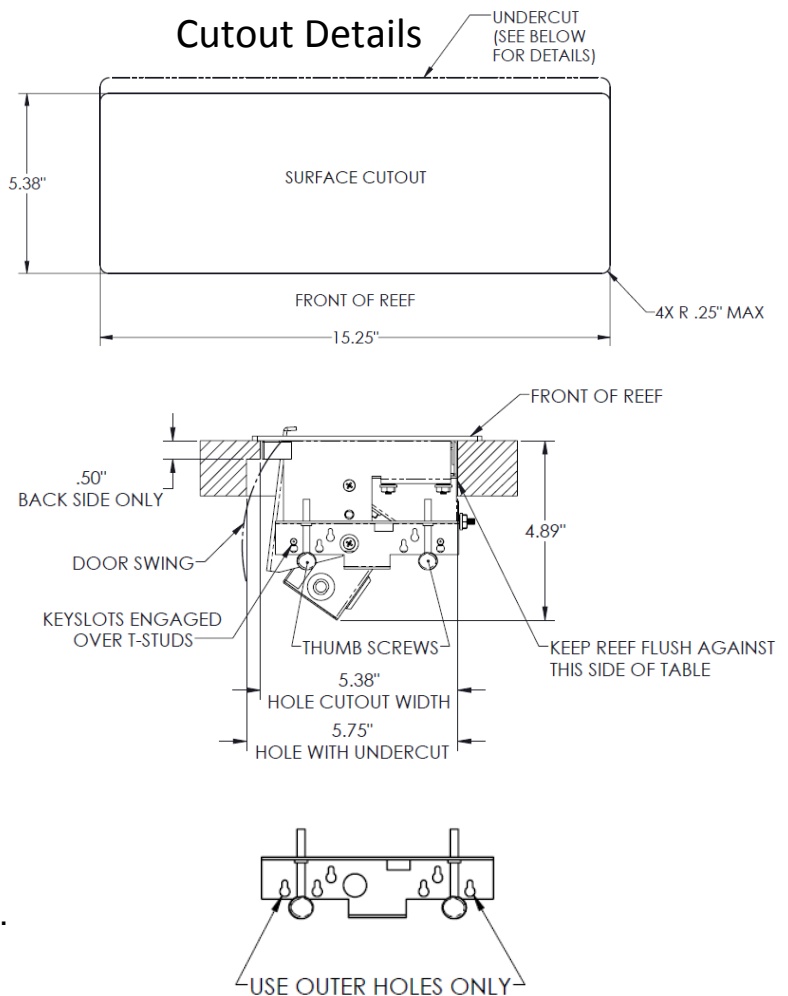
For use with: This product fits tables 1.00" - 2.00" thick.

Note: A licensed electrician should make the hardwire connections. For use on dry work surfaces only. No serviceable parts, do not disassemble.

Installation Instructions:

- 1- Determine the Reef's (A) mounting location and prepare the surface.
- 2- Insert the Reef (A) into the cutout from above and check for smooth operation of the door and adjust position in cutout if required.
- 3- Clamp into position using clamps (C) and thumb screws (B) provided. Note: Key slots in clamps engage over T-studs in Reef (A) and thumb screws (B) tighten against the underside of the table. Use appropriate key slots to clamp (C) into position (see detail A).
- 4- Connect all power and data cabling as needed.
- 5- Connections for hardwire units:

Black wire – circuit hot
White wire – circuit neutral
Green wire – circuit ground



Detail A