

HIDE IT INSTALLATION

Components & Hardware



(A) Hide It
Qty 1



(B) Mounting Screw
#10x.75", Qty 4

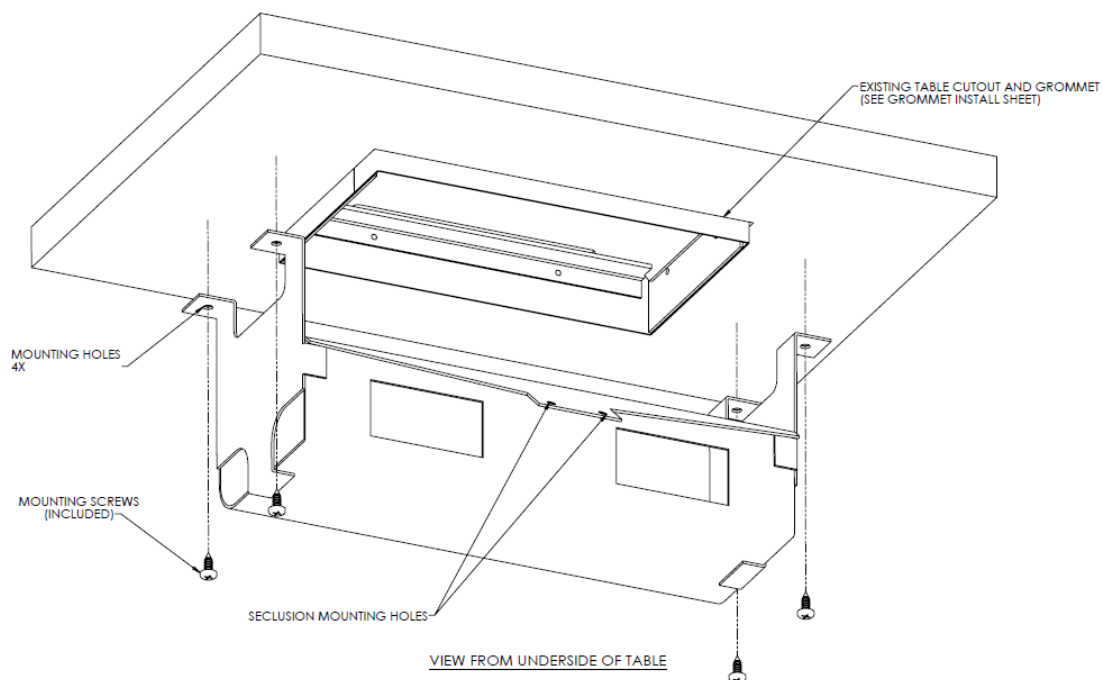
Tools Needed



For use with: Do not use provided screws on table thicknesses less than 1.00"

Note: *Use caution not to pierce top surface with screws.

- 1- Mount Seclusion to Hide It (A) as location shown with screws provided with Seclusion.
- 2- Mount Hide It (A) in desired location to underside of work surface using screws (B) provided*.



- 3- Connect all power and data cabling as needed.