

YOUR HEIGHT-ADJUSTABLE
POWER SOLUTION.

Ashley Duo Air™



STU
DIO

BY DEKKO

Unapologetically Upscale.

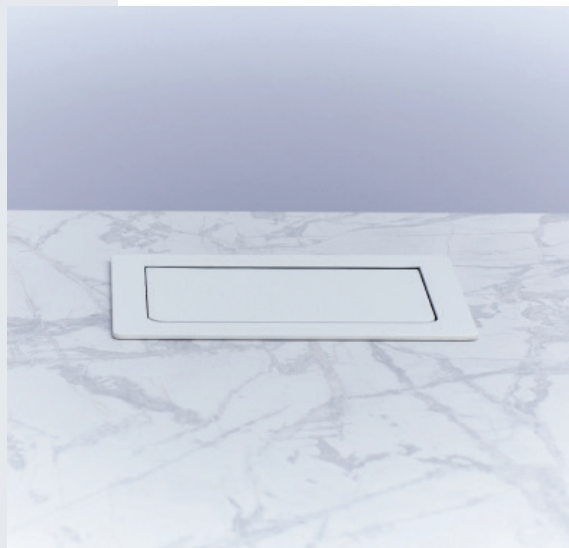
CLEVER & QUIET CONFIDENCE

The Ashley Duo Air™ combines steadfast power—available at the slightest touch — with hideaway capability to make the most of your workspaces and furniture.

The flexibility offered by the Ashley Duo Air's frame allows the power unit to be mounted where it's most accessible and looks best, whether it's embedded in a piece of furniture or on a vertical or horizontal surface.

Each USB port utilizes a Smart Device Recognition Chip to monitor and independently deliver the required amperage to your devices — up to 2.1 amps each — and charge them in half the time it takes with similar products on the market.

The Ashley Duo Air™ is offered as a bezel mounting option and is UL 962A and UL 111 Listed.



FEATURES:

Applications

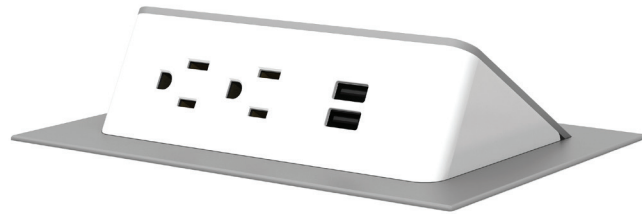
Bezel

Standard Metal Trim Finishes

- Silver
- Black
- White

Standard Plastic Colors

- White
- Grey
- Black
- Harvest Pumpkin
- Neon Red
- Blue Daisy
- Light Green

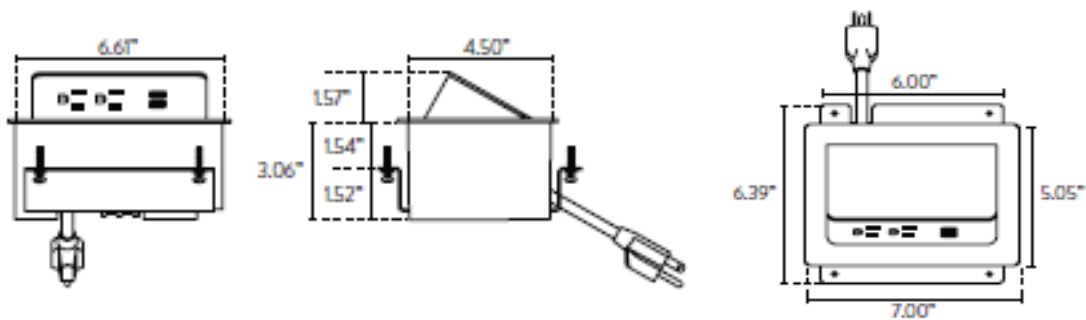


Specifications

- 2- 15A, 120V AC Power Outlets
- 2- 2.1A/10.5W USB Charging Ports
- 6' or 10' Cord or Hardwire Option
- Gas Strut Open/Close Mechanism
- UL 962A and UL 111 Listed
- UL 1310 Recognized
- Meets UL Spill Requirements
- Class 2, FCC Part 15 A Approved
- Meets USB.org Battery Charging 1.2 Specifications

Dimensions

- Ashley Duo Air™ Dimensions: 7" x 5.05" x 4.63"



DESCRIPTION	LENGTHS		FINISH		MODEL
	CORDED & HARDWIRE		PLASTIC FACE/METAL TRIM		
ASHLEY DUO AIR - BEZEL					
<ul style="list-style-type: none"> 2 AC 15 Amp Power Outlets , 2 USB 2.1 Amp Charging Ports, pop-up unit 	6' Corded		Black/Black	305070.01.04.06	
			Gray/Silver	305070.01.01.06	
			White/Silver	305070.01.57.06	
			White/White	305070.01.VW.06	
	10' Corded		Black/Black	305070.01.04.10	
			Gray/Silver	305070.01.01.10	
			White/Silver	305070.01.57.10	
			White/White	305070.01.VW.10	
	6' Hardwire		Black/Black	200046.01.04.06	
			Gray/Silver	200046.01.01.06	
			White/Silver	200046.01.57.06	
			White/White	200046.01.VW.06	
	10' Hardwire		Black/Black	200046.01.04.10	
			Gray/Silver	200046.01.01.10	
			White/Silver	200046.01.57.10	
			White/White	200046.01.VW.10	

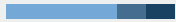
Please note: There is a cord length upcharge for models specified with 10' cord/hardwire lengths. See below for instructions on how to specify units with specialty colors finishes.

SPECIFICATION INSTRUCTIONS

TO ORDER PLEASE SPECIFY THE FOLLOWING

Step 1:	Step 2:	Step 3:
Base Model # (Part Number)	Finish Options	NEMA Plug or Hardwire Lengths

EXAMPLE



305050.01.57.06

Base Model: Ashley Duo
 Finish Option: White/Silver
 Cord Length: 6'

Code	Plastic Face/Metal Trim	Cord Color	Code	Cord Length
.04	Black/Black	Black	.06	6' or 72"
.02	Black/Silver	Black	.10	10' or 120"
.08	Gray/Black	Black		
.01	Gray/Silver	Black		
.05	Gray/White	Black		
.03	White/Black	White		
.57	White/Silver	White		
.VW	White/White	White		
.11	Blue Daisy/White	White		
.12	Blue Daisy/Silver	White		
.13	BlueDaisy/Black	Black		
.14	Light Green/White	White		
.15	Light Green/Silver	White		
.16	Light Green/Black	Black		
.17	Harvest Pumpkin/White	White		
.18	Harvest Pumpkin/Silver	White		
.19	Harvest Pumpkin/Black	Black		
.20	Neon Red/White	White		
.21	Neon Red/Silver	White		
.22	Neon Red/Black	Black		

Contact Salesperson For Additional Cord Options

