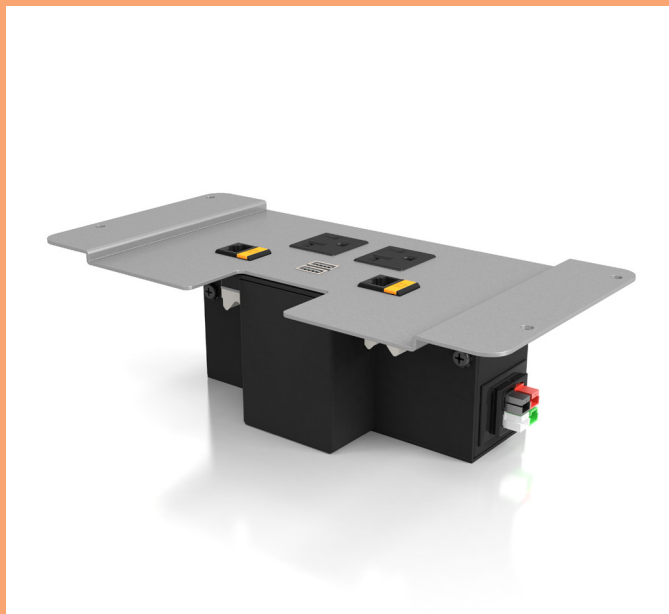




RETRO SERIES

VILLA™ LG

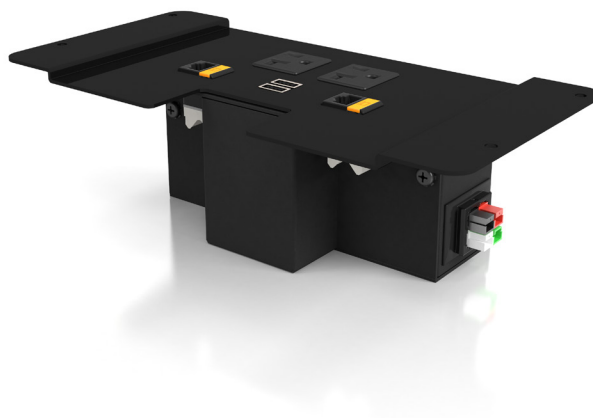
DAISYLINK™



FIT
TO DESIGN.
DESIGNED TO FIT.

DAISY-CHAIN CONNECTIVITY

Villa™ LG's intentional design accommodates the common furniture manufacturer cutout size: 4.0" x 8.0" for universal retrofit opportunities. With DaisyLink™ abilities, you gain seamless enhancements while magnifying power supply within your applications. From a single infeed, multiple units connect in any arrangement using the modular 4 wire 2 circuit electrical system.



FEATURES:

Mounting Capabilities
Bezel /In-Surface

Applications
Work Surfaces
Training Tables
Conferencing

Standard Finishes*

- Silver
- Black (Textured Finish)
- White

LG Grommet Finishes

- Silver
- Black
- White
- Brushed Aluminum

*Interested in our specialty finishes?
Contact us for details.



FLUSH LID
LG GROMMET

SPECIFICATIONS

- 20A/120V AC Receptacles
- 2.1A/5V Shared; Dual USB Charging Ports
- Data Knockouts - Keystone Data Options Available (*Purchased Separately*)
- Used with 4 Wire 2 Circuit Starter and Interconnecting Cables (*Purchased Separately*)
- Hardwire Starter & Interconnecting Cable Lengths: Minimum 12" - 180" Maximum (*Specify in 1" Increments*)
- Circuit 1 and 2 Options - Link Up-to 40 Receptacles Across 2 Circuits (*US Only*)
- ETL Listed for US and Canada

VILA LG GROMMET SPECIFICATIONS:

- Flush Lid (*Sold Separately*)
- Fits Surface Thicknesses: 0.75" - 2.0"
- Fits Surface Cutout: 4.0 x 8.0"

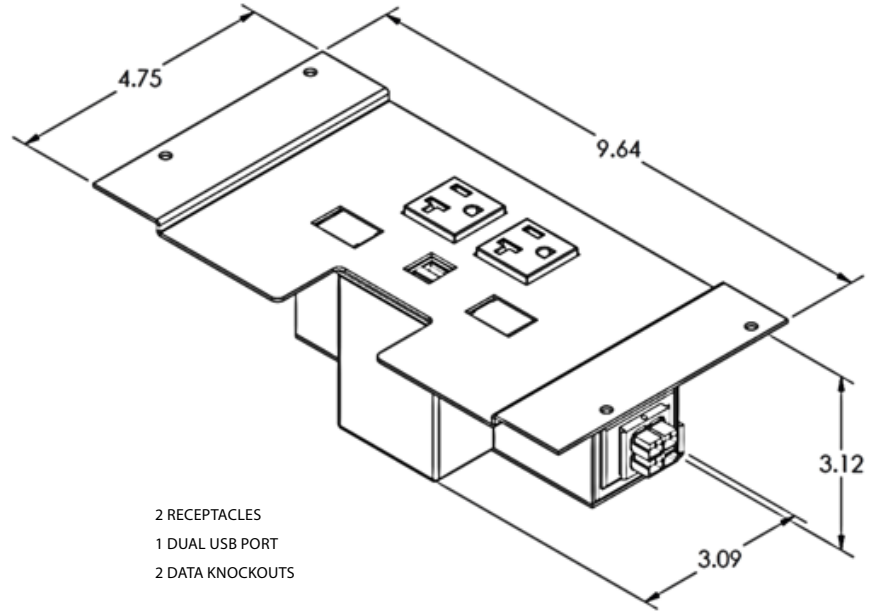
DAISYLINK™ COMPONENTS

REFER TO DAISYLINK™ COMPONENTS PAGE IN ORDERING INFORMATION FOR DETAILS

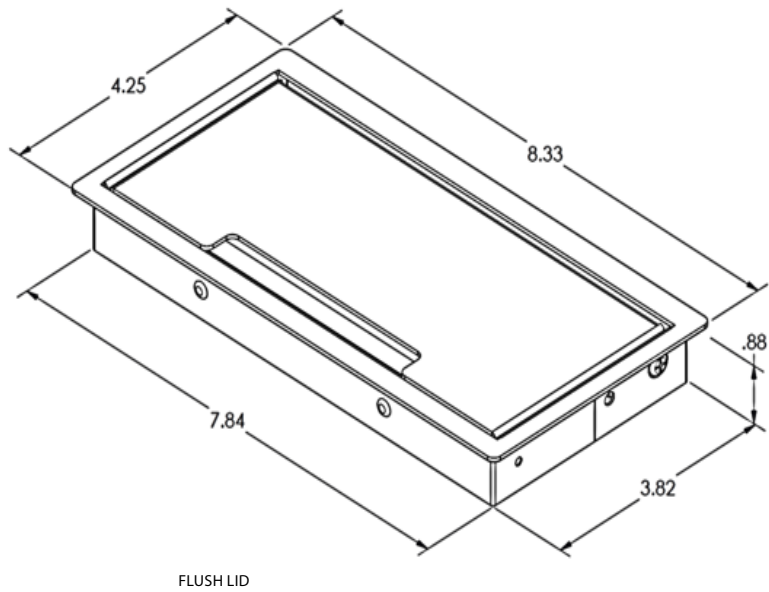


Series dimensions on following page...

VILLA LG | POWER, USB & DATA



VILLA LG | FLUSH-LID GROMMET



Ordering information on following page...

DAISYLINK™ CONFIGURATIONS

SELECT YOUR POWER:

POWER RECEPTACLES	DUAL USB PORTS	DATA KNOCKOUT
-------------------	----------------	---------------

CHOOSE YOUR FINISH:

SILVER

BLACK

WHITE

VILLA™ LG | POWER, USB & DATA | CIRCUIT 1

2	1	2	VIL-LG-41-UDKOS	VIL-LG-41-UDKOB	VIL-LG-41UDKOGW
---	---	---	-----------------	-----------------	-----------------

CHANGE -41 TO -42 IN PART NUMBER TO SPECIFY CIRCUIT 2 CONFIGURATIONS
 VILLA LG GROMMETS SOLD SEPARATELY
 DATA KNOCKOUT OPTIONS SOLD SEPARATELY
 CALL FOR PRICING

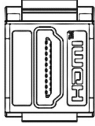
Data knockout and gomet options on following page...

DATA & GROMMET ACCESSORIES

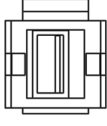
SELECT YOUR DATA KNOCKOUT OPTIONS:



A.



B.

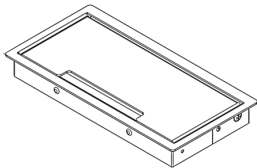


C.

DESCRIPTION	FINISH	PART NUMBER
A. RJ45 cat 6 punch down data jack, <i>Siemon™ brand</i>	Black	RJ45-B
B. HDMI keystone jack, female/female	Black	HDMI-KEY-B
C. USB 2.0 Type-A keystone, female/female	Black White	USB-20AA-B-72K USB-20AA-W-72K

ADDITIONAL DATA OPTIONS AVAILABLE
PLEASE CONTACT OUR KNOWLEDGEABLE CUSTOMER SERVICE TEAM FOR MORE DETAILS

CHOOSE VILLA LG GROMMET LID (OPTIONAL):



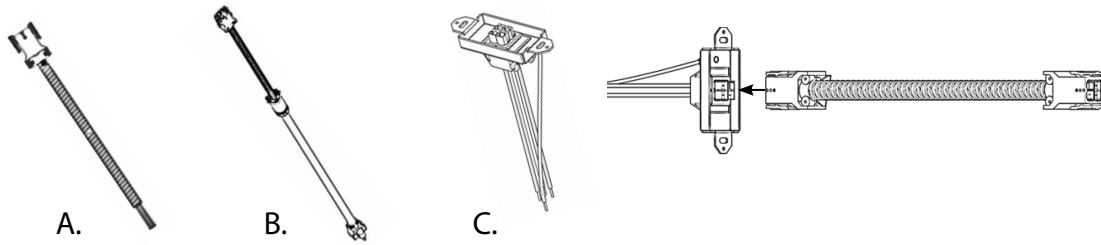
D.

DESCRIPTION	FINISH	PART NUMBER
D. Flush Lid Style - includes brush trim and small cutout for lid opening; sits flush to surface	Silver Black White Brushed Aluminum	VIL-GROM-LG-S VIL-GROM-LG-B VIL-GROM-LG-GW VIL-GROM-LG-AL

DaisyLink™ components on following page...

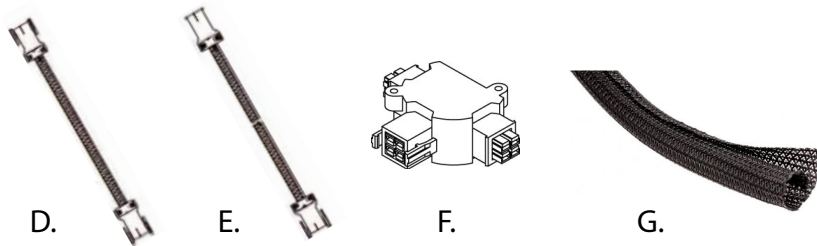
DAISYLINK™ COMPONENTS

SELECT YOUR STARTER INFEED OPTION:



DESCRIPTION	LENGTH/FINISH	PART NUMBER
A. Hardwired multi-circuit starter infeed with female DaisyLink™ connector; hardwires into electrical junction box *Specify in increments of 1" Cable Lengths in Part Number	12" Min - 180" Max	42 SB2-XXX*
B. Molded 3-prong plug single-circuit starter power infeed with female DaisyLink™ connector; plugs directly into wall or floor outlet	72"	42 20AP1-72
C. Quick Disconnect multi-circuit wall/floor insert with male DaisyLink™ connector; wires into junction box to accept female DaisyLink™ interconnecting cable (To be used with 42 FF-XXX interconnecting cable - see below)	Black	42 QD Insert

CHOOSE YOUR INTERCONNECTING CABLES:



DESCRIPTION	LENGTH/FINISH	PART NUMBER
D. Female/Female Interconnecting Cable *Specify in increments of 1" Cable Lengths in Part Number	12" Min - 180" Max	42 FF-XXX*
E. Female/Male Interconnecting Cable *Specify in increments of 1" Cable Lengths in Part Number	12" Min - 180" Max	42 FM-XXX*
F. T-Connector used to branch cabling in different directions; 2 male and 1 female endings	Black	Daisy T
G. Nylon Black Cable Covers - Add "B" to cabling part number	Black	Cable Covers "B"

TO LEARN HOW TO CONFIGURE AND ASSEMBLE A 4 WIRE 2 CIRCUIT SYSTEM, SEE DAISYLINK™ SYSTEM LITERATURE FOR DETAILS OR CONTACT OUR KNOWLEDGEABLE CUSTOMER SERVICE TEAM

IF YOU HAVE STANDARD TABLE SIZES, SEE THE VILLA™ DAISYLINK™ QUICK KIT LITERATURE FOR PRE-SPECIFIED CABLING KITS; FOR HELP WITH YOUR INDIVIDUAL TABLE OR ROOM CONFIGURATIONS, CONTACT OUR KNOWLEDGEABLE CUSTOMER SERVICE TEAM