



RETRO SERIES

# VILLA™ LG DAISYLINK™



**FIT  
TO DESIGN.  
DESIGNED TO FIT.**

## DAISY-CHAIN CONNECTIVITY

Villa™ LG's intentional design accommodates the common furniture manufacturer cutout size: 4.0" x 8.0" for universal retrofit opportunities. With DaisyLink™ abilities, you gain seamless enhancements while magnifying power supply within your applications. From a single infeed, multiple units connect in any arrangement using the modular 4 wire 2 circuit electrical system.



**FEATURES:**

**Mounting Capabilities**

Bezel /In-Surface

**Applications**

Work Surfaces  
Training Tables  
Conferencing

**Standard Finishes\***

- Silver
- Black (Textured Finish)
- White

**LG Grommet Finishes**

- Silver
- Black
- White
- Brushed Aluminum

\*Interested in our specialty finishes?  
Contact us for details.



FLUSH LID  
LG GROMMET

**SPECIFICATIONS**

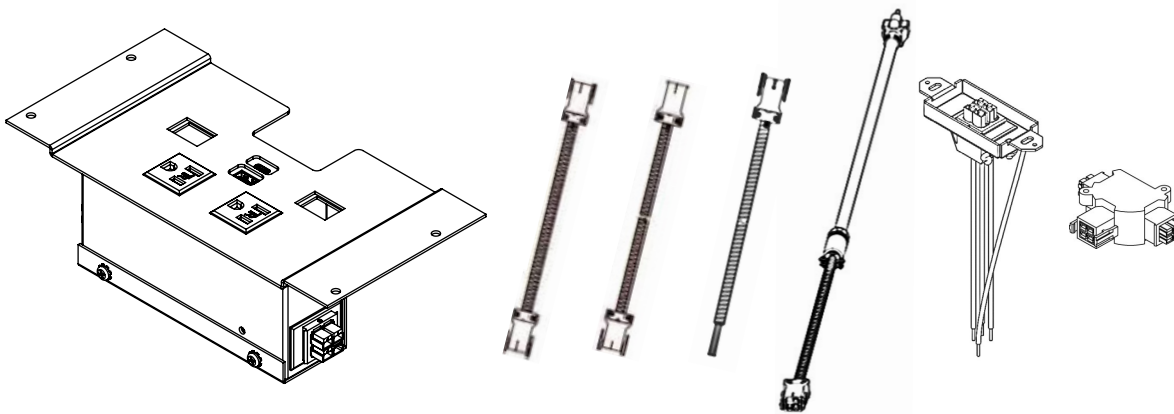
- 20A/120V AC Receptacles
- (1) 2.4A Reversible USB-A Charging Port & (1) 60-Watt USB-C Power Delivery Port with GaN Technology
- Data Knockouts - Keystone Data Options Available (*Purchased Separately*)
- Used with 4 Wire 2 Circuit Starter and Interconnecting Cables (*Purchased Separately*)
- Hardwire Starter & Interconnecting Cable Lengths: Minimum 12" - 180" Maximum (*Specify in 1" Increments*)
- Circuit 1 and 2 Options - Link Up-to 40 Receptacles Across 2 Circuits (*US Only*)
- UL Listed for US and Canada

**VILA LG GROMMET SPECIFICATIONS:**

- Flush Lid (*Sold Separately*)
- Fits Surface Thicknesses: 0.75" - 2.0"
- Fits Surface Cutout: 4.0 x 8.0"

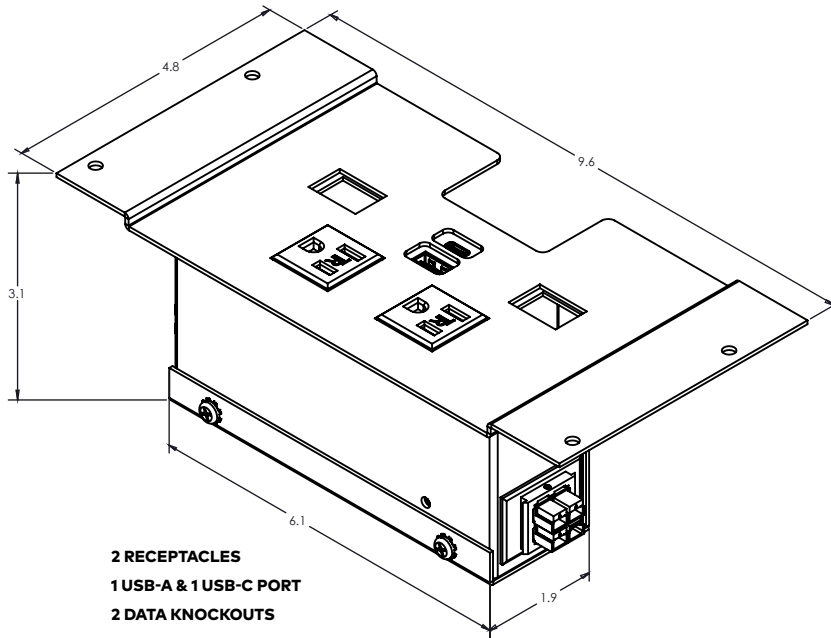
**DAISYLINK™ COMPONENTS**

REFER TO DAISYLINK™ COMPONENTS PAGE IN ORDERING INFORMATION FOR DETAILS

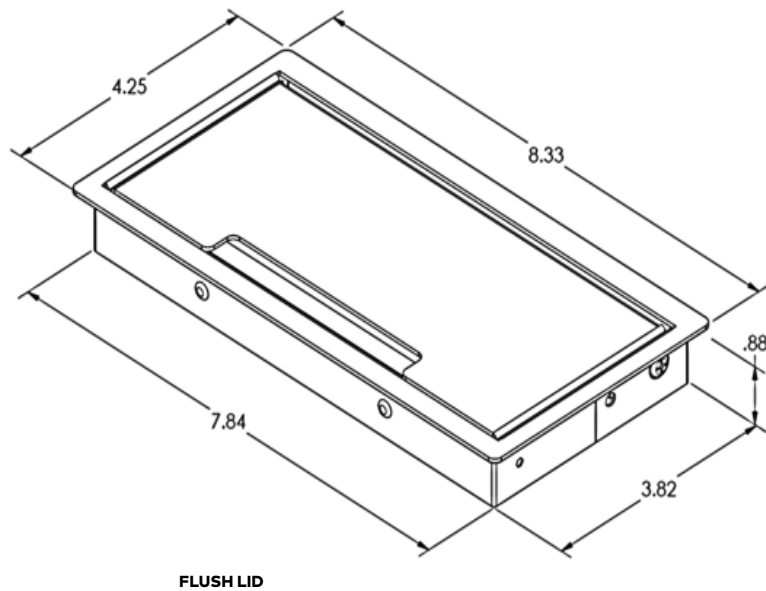


Series dimensions on following page...

**VILLA LG | POWER, USB & DATA**



**VILLA LG | FLUSH-LID GROMMET**



Ordering information on following page...

DAISYLINK™ CONFIGURATIONS

**SELECT YOUR POWER:**

**CHOOSE YOUR FINISH:**

POWER RECEPTACLES	USB-A & USB-C PORTS	DATA KNOCKOUT
----------------------	------------------------	------------------

SILVER

BLACK

WHITE

VILLA™ LG | **POWER, USB & DATA** | CIRCUIT 1

2	1	2	306053.02.25.C1	306053.02.04.C1	306053.02.VW.C1
---	---	---	-----------------	-----------------	-----------------

CHANGE -41 TO -42 IN PART NUMBER TO SPECIFY CIRCUIT 2 CONFIGURATIONS  
 VILLA LG GROMMETS SOLD SEPARATELY  
 DATA KNOCKOUT OPTIONS SOLD SEPARATELY  
 CALL FOR PRICING

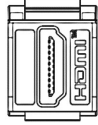
*Data knockout and grommet options on following page...*

DATA & GROMMET ACCESSORIES

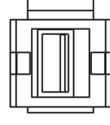
**SELECT YOUR DATA KNOCKOUT OPTIONS:**



**A.**



**B.**

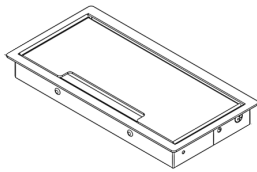


**C.**

DESCRIPTION	FINISH	PART NUMBER
<b>A.</b> RJ45 cat 6 punch down data jack, <i>Siemon™ brand</i>	Black	RJ45-B
<b>B.</b> HDMI keystone jack, female/female	Black	HDMI-KEY-B
<b>C.</b> USB 2.0 Type-A keystone, female/female	Black White	USB-20AA-B-72K USB-20AA-W-72K

ADDITIONAL DATA OPTIONS AVAILABLE  
PLEASE CONTACT OUR KNOWLEDGEABLE CUSTOMER SERVICE TEAM FOR MORE DETAILS

**CHOOSE VILLA LG GROMMET LID (OPTIONAL):**



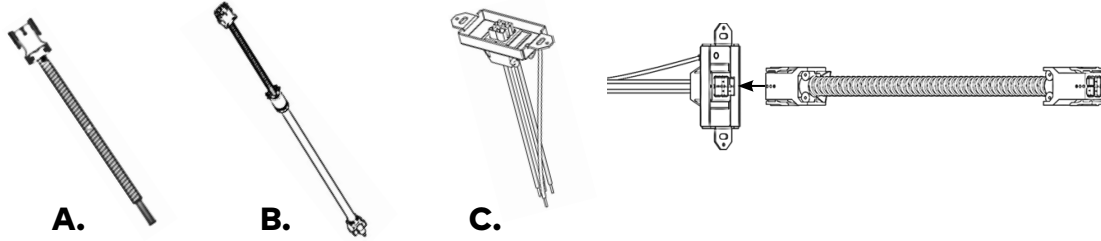
**D.**

DESCRIPTION	FINISH	PART NUMBER
<b>D.</b> Flush Lid Style - includes brush trim and small cutout for lid opening; sits flush to surface	Silver Black White Brushed Aluminum	VIL-GROM-LG-S VIL-GROM-LG-B VIL-GROM-LG-GW VIL-GROM-LG-AL

*DaisyLink™ components on following page...*

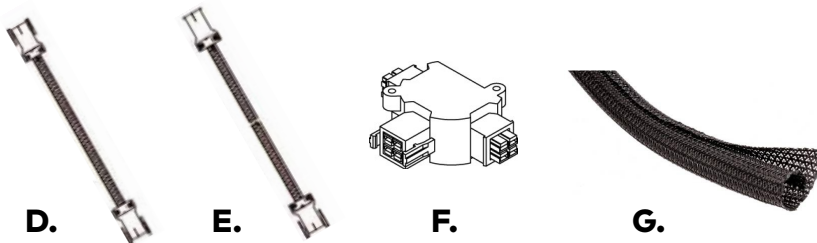
DAISYLINK™ COMPONENTS

**SELECT YOUR STARTER INFEED OPTION:**



DESCRIPTION	LENGTH/FINISH	PART NUMBER
<b>A.</b> Hardwired multi-circuit starter infeed with female DaisyLink™ connector; hardwires into electrical junction box *Specify in increments of 1" Cable Lengths in Part Number	12" Min - 180" Max	42 SB2-XXX*
<b>B.</b> Molded 3-prong plug single-circuit starter power Infeed with female DaisyLink™ connector; plugs directly into wall or floor outlet	72"	42 20AP1-72
<b>C.</b> Quick Disconnect multi-circuit wall/floor insert with male DaisyLink™ connector; wires into junction box to accept female DaisyLink™ interconnecting cable (To be used with 42 FF-XXX interconnecting cable - see below)	Black	42 QD Insert

**CHOOSE YOUR INTERCONNECTING CABLES:**



DESCRIPTION	LENGTH/FINISH	PART NUMBER
<b>D.</b> Female/Female Interconnecting Cable *Specify in increments of 1" Cable Lengths in Part Number	12" Min - 180" Max	42 FF-XXX*
<b>E.</b> Female/Male Interconnecting Cable *Specify in increments of 1" Cable Lengths in Part Number	12" Min - 180" Max	42 FM-XXX*
<b>F.</b> T-Connector used to branch cabling in different directions; 2 male and 1 female endings	Black	Daisy T
<b>G.</b> Nylon Black Cable Covers - Add "B" to cabling part number	Black	Cable Covers "B"

TO LEARN HOW TO CONFIGURE AND ASSEMBLE A 4 WIRE 2 CIRCUIT SYSTEM, SEE DAISYLINK™ SYSTEM LITERATURE FOR DETAILS OR CONTACT OUR KNOWLEDGEABLE CUSTOMER SERVICE TEAM

IF YOU HAVE STANDARD TABLE SIZES, SEE THE VILLA™ DAISYLINK™ QUICK KIT LITERATURE FOR PRE-SPECIFIED CABLING KITS; FOR HELP WITH YOUR INDIVIDUAL TABLE OR ROOM CONFIGURATIONS, CONTACT OUR KNOWLEDGEABLE CUSTOMER SERVICE TEAM