



VILLA™ UM SERIES

DAISYLINK™



DAISY-CHAIN FOR MAXIMUM POWER SUPPLY



SOLUTIONS PROVIDING MODULAR CONNECTIVITY

Easily connect multiple units together with a single infeed, thanks to Villa™ UM with DaisyLink™. The 4 wire 2 circuit system reduces cord clutter and maximizes Villa™ UM's integrated power, USB and data capabilities to the underside of work surfaces.



FEATURES:

Mounting Capabilities
Under-mount

Applications
Height Adjustable Tables
Training Tables
Work Stations

Standard Finishes*

- Silver
- Black (Textured Finish)

*Interested in our specialty finishes?
Contact us for details.

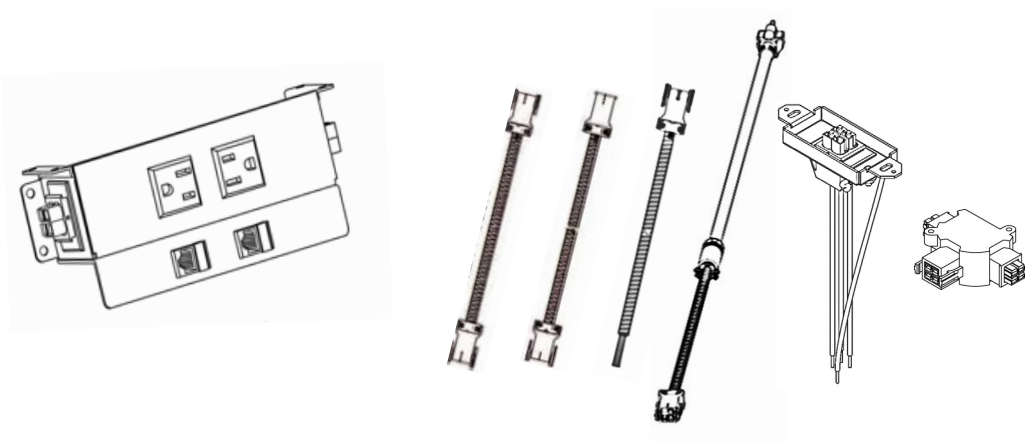


UNIT SPECIFICATIONS:

- 15A/120V AC Receptacles
- 2.1A/5V Shared; Dual USB Charging Ports *(Available on Select Models)*
- Data Knockouts - Keystone Data Options Available *(Purchased Separately)*
- Used with 4 Wire 2 Circuit Starter and Interconnecting Cables *(Purchased Separately)*
- Hardwire Starter & Interconnecting Cable Lengths: Minimum 12" - 180" Maximum *(Specify in 1" Increments)*
- Circuit 1 and 2 Options - Link Up-to 40 Receptacles Across 2 Circuits *(US Only)*
- Cable Clamps and Screws Included for Installation
- ETL Listed for US and Canada

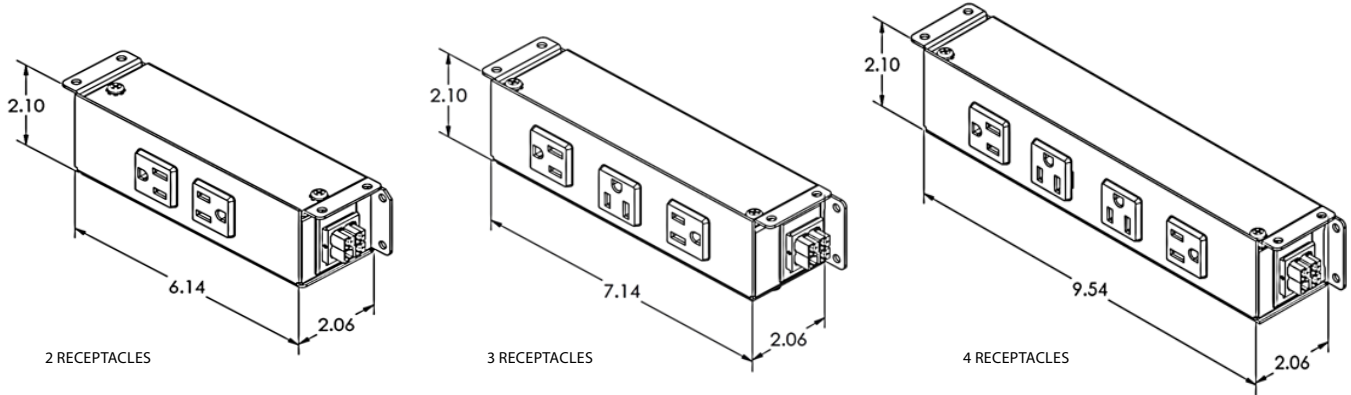
DAISYLINK™ COMPONENTS

REFER TO DAISYLINK™ COMPONENTS PAGE IN ORDERING INFORMATION FOR DETAILS

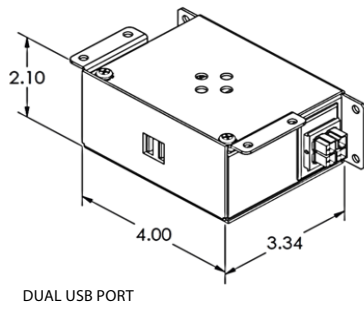


Series dimensions on following page...

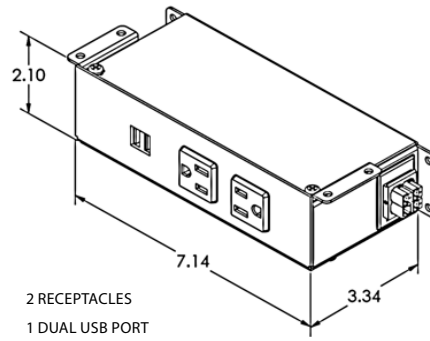
VILLA UM SERIES | POWER ONLY



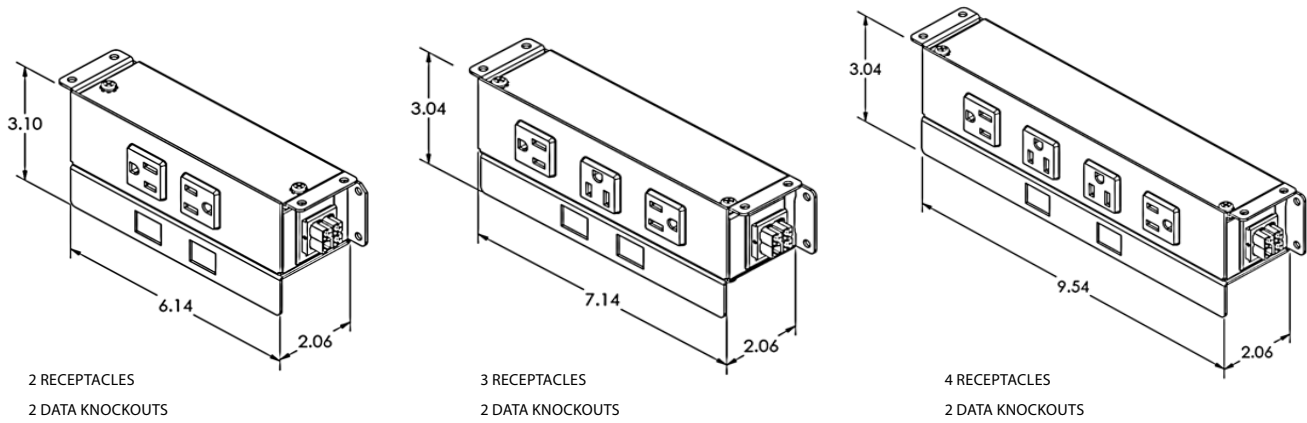
VILLA UM SERIES | USB ONLY



VILLA UM SERIES | POWER & USB

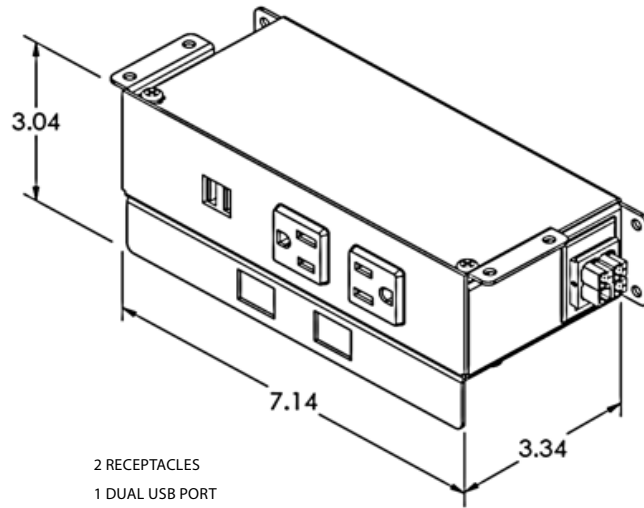


VILLA UM SERIES | POWER & DATA



Series dimensions continued on following page...

VILLA UM SERIES | POWER, USB & DATA



- 2 RECEPTACLES
- 1 DUAL USB PORT
- 2 DATA KNOCKOUTS

Ordering information on following page...

DAISYLINK™ CONFIGURATIONS

SELECT YOUR POWER:

POWER RECEPTACLES	DUAL USB PORTS	DATA KNOCKOUT
-------------------	----------------	---------------

CHOOSE YOUR FINISH:

SILVER

BLACK

VILLA™ UM SERIES | POWER ONLY | CIRCUIT 1

2	-	-	VIL-UM-41-2-S	VIL-UM-41-2-B
3	-	-	VIL-UM-41-3-S	VIL-UM-41-3-B
4	-	-	VIL-UM-41-4-S	VIL-UM-41-4-B

VILLA™ UM SERIES | USB ONLY | CIRCUIT 1

-	1	-	VIL-UM-41-U-S	VIL-UM-41-U-B
---	---	---	---------------	---------------

VILLA™ UM SERIES | POWER & USB | CIRCUIT 1

2	1	-	VIL-UM-41-2U-S	VIL-UM-41-2U-B
---	---	---	----------------	----------------

VILLA™ UM SERIES | POWER & DATA | CIRCUIT 1

2	-	2	VIL-UM-41-2DKOS	VIL-UM-41-2DKOB
3	-	2	VIL-UM-41-3DKOS	VIL-UM-41-3DKOB
4	-	2	VIL-UM-41-4DKOS	VIL-UM-41-4DKOB

VILLA™ UM SERIES | POWER, USB & DATA | CIRCUIT 1

2	1	2	VIL-UM-412UDKOS	VIL-UM-412UDKOB
---	---	---	-----------------	-----------------

CHANGE -41 TO -42 TO SPECIFY CIRCUIT 2 CONFIGURATIONS
 DATA KNOCKOUT OPTIONS SOLD SEPARATELY
 CALL FOR PRICING

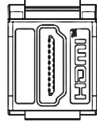
Data options on following page...

DATA CONNECTORS

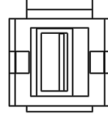
SELECT YOUR DATA KNOCKOUT OPTIONS:



A.



B.



C.

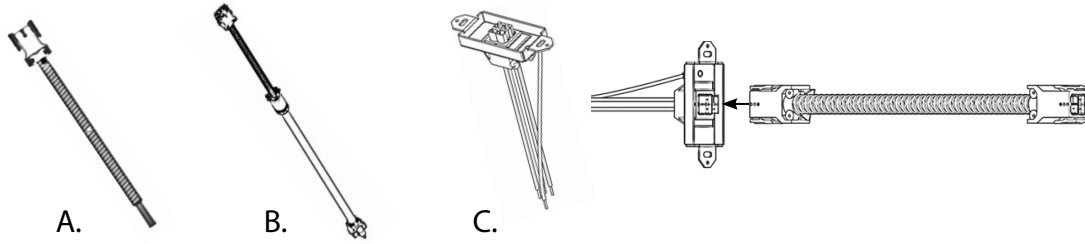
	DESCRIPTION	FINISH	PART NUMBER
A.	RJ45 cat 6 punch down data jack, <i>Siemon™ brand</i>	Black	RJ45-B
B.	HDMI keystone jack, female/female	Black	HDMI-KEY-B
C.	USB 2.0 Type-A keystone, female/female	Black White	USB-20AA-B-72K USB-20AA-W-72K

ADDITIONAL DATA OPTIONS AVAILABLE
PLEASE CONTACT OUR KNOWLEDGEABLE CUSTOMER SERVICE TEAM FOR MORE DETAILS

DaisyLink components on following page...

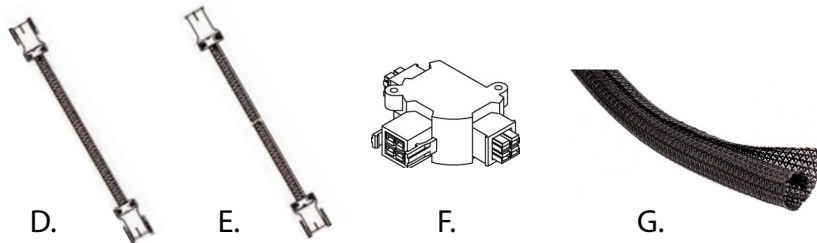
DAISYLINK™ COMPONENTS

SELECT YOUR STARTER INFEED OPTION:



DESCRIPTION	LENGTH/FINISH	PART NUMBER
A. Hardwired multi-circuit starter infeed with female DaisyLink™ connector; hardwires into electrical junction box *Specify in increments of 1" Cable Lengths in Part Number	12" Min - 180" Max	42 SB2-XXX*
B. Molded 3-prong plug single-circuit starter power infeed with female DaisyLink™ connector; plugs directly into wall or floor outlet	72"	42 20AP1-72
C. Quick Disconnect multi-circuit wall/floor insert with male DaisyLink™ connector; wires into junction box to accept female DaisyLink™ interconnecting cable (To be used with 42 FF-XXX interconnecting cable - see below)	Black	42 QD Insert

CHOOSE YOUR INTERCONNECTING CABLES:



DESCRIPTION	LENGTH/FINISH	PART NUMBER
D. Female/Female Interconnecting Cable *Specify in increments of 1" Cable Lengths in Part Number	12" Min - 180" Max	42 FF-XXX*
E. Female/Male Interconnecting Cable *Specify in increments of 1" Cable Lengths in Part Number	12" Min - 180" Max	42 FM-XXX*
F. T-Connector used to branch cabling in different directions; 2 male and 1 female endings	Black	Daisy T
G. Nylon Black Cable Covers - Add "B" to cabling part number	Black	Cable Covers "B"

TO LEARN HOW TO CONFIGURE AND ASSEMBLE A 4 WIRE 2 CIRCUIT SYSTEM, SEE DAISYLINK™ SYSTEM LITERATURE FOR DETAILS OR CONTACT OUR KNOWLEDGEABLE CUSTOMER SERVICE TEAM

IF YOU HAVE STANDARD TABLE SIZES, SEE THE VILLA™ UM DAISYLINK™ QUICK KIT & HEIGHT ADJUSTABLE TABLE KIT LITERATURE FOR PRE-SPECIFIED CABLING KITS; FOR HELP WITH YOUR INDIVIDUAL TABLE OR ROOM CONFIGURATIONS, CONTACT OUR KNOWLEDGEABLE CUSTOMER SERVICE TEAM