

CONCEPT™ - CORDED & HARDWIRED

FEATURES:

Applications

Bezel / In-Surface (Pop-up Unit)

Standard Finishes

- Brushed Stainless Steel
- Black



Specifications

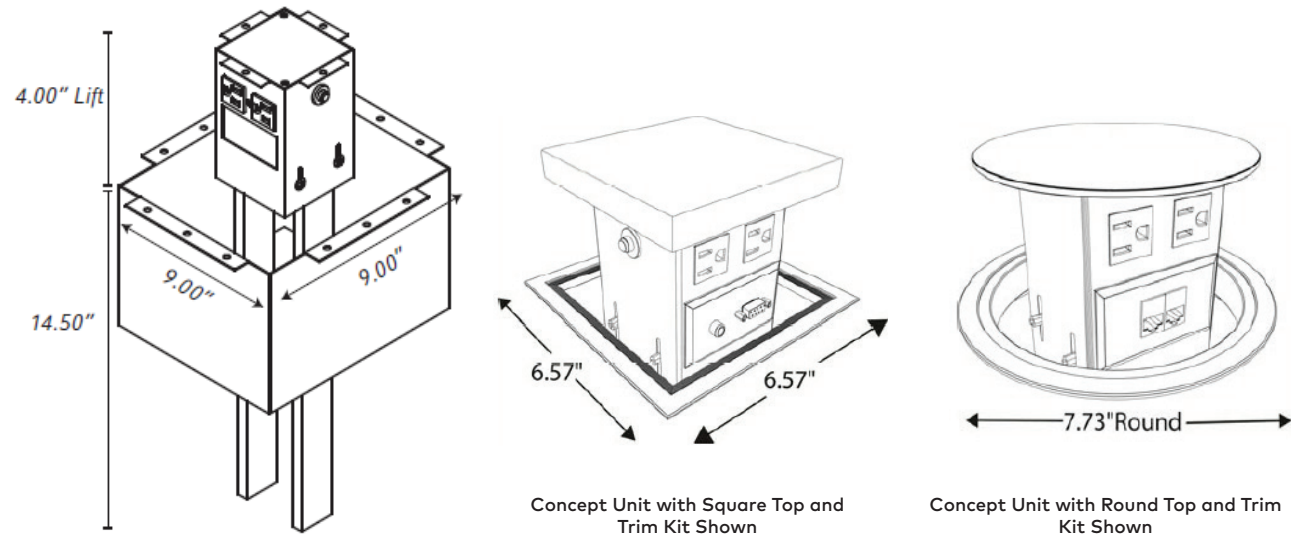
- 4 - 15A, 120V AC Power Receptacles
- 15A Rated Circuit Breaker
- 2 Telecom Plate Knockouts - Fully Customizable (Purchased Separately)
- Manual Lift Mechanism
- Corded & Hardwire Options
- Standard Cord and Hardwire Whip Length: 72"
- Square or Round Tops Available in Black or Stainless Steel Finish with Trim Kit
- Optional Outer Pan Accessory Available
- Table Thicknesses Requirement: .75" - 1.50"
- Recommended Gap (between table & top edge): 0.062" - 0.125"
- Manual Lift Supports Maximum 4 lbs.
- CSA Certified

Unit Dimensions

- Unit without Outer Pan: 9" x 9" x 14.50"
- Unit with Outer Pan: 9" x 9" x 23.50"

Top Size Parameters

- ECA Top Size: 5.25" Round or 5.25" Square
- Minimum Custom Top Size: 5" Round or 4.5" Square
- Maximum Custom Top Size: 7" Round or 7" Square



DESCRIPTION

FINISH

PART NUMBER

Concept with Square Top - Corded & Hardwired

- Concept Unit, 4 Power, 2 Telecom Plate Knockouts, Manual Lift, will lift 4 lbs, Includes Black Square top and Trim Kit - 72" Corded or Hardwired Black CON-S-B-SC-K
CON-S-B-HW-K
- Concept Unit, Manual Lift, will lift 4 lbs, Includes Brushed Stainless Steel Square top and Trim Kit - 72" Corded or Hardwired Brushed Stainless Steel CON-S-SS-SC-K
CON-S-SS-HW-K

Concept with Round Top - Corded & Hardwired

- Concept Unit, 4 Power, 2 Telecom Plate Knockouts, Manual Lift, will lift 4 lbs, Includes Black Round top and Trim Kit - 72" Corded or Hardwired Black CON-R-B-SC-K
CON-R-B-HW-K
- Concept Unit, Manual Lift, will lift 4 lbs, Includes Brushed Stainless Steel Round top and Trim Kit - 72" Corded or Hardwired Brushed Stainless Steel CON-R-SS-SC-K
CON-R-SS-HW-K

Telecom Plates sold separately.