

**FEATURES:**

**Applications**

- Clamp-on
- Under-mount
- Bezel

**Standard Metal Trim Finishes**

- Silver
- Black
- White

**Standard Plastic Colors**

- White
- Grey
- Black
- Harvest Pumpkin
- Neon Red
- Blue Daisy
- Light Green

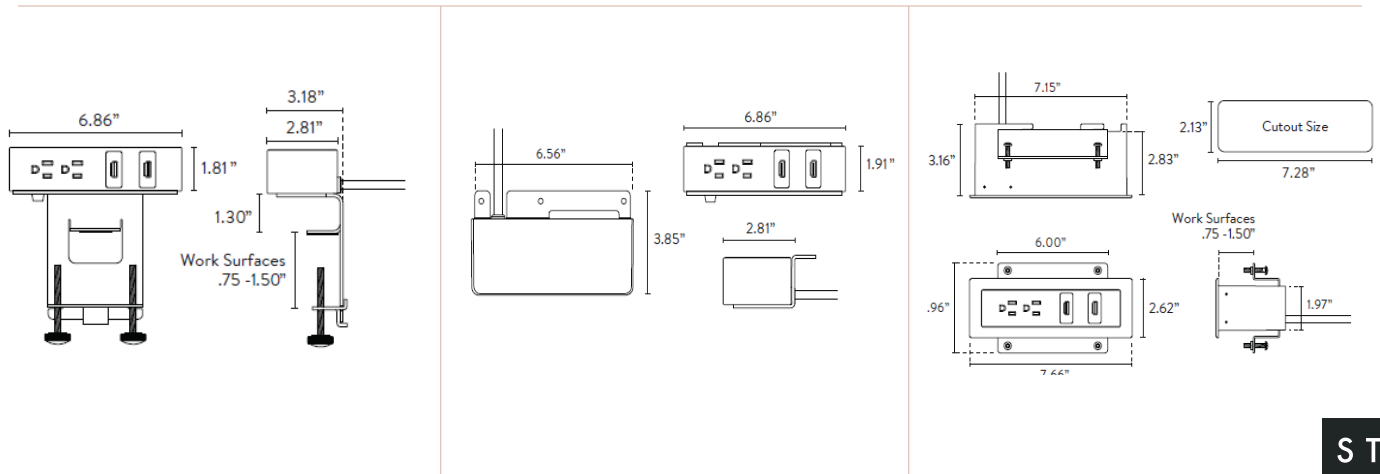


**Specifications**

- 2- 15A, 120V AC Power Outlets
- 2 Data Inserts for HDMI, RJ45, RJ11, VGA or Blank Insert
- 2 Data Port Adapter Kits Comes Standard - Data Port Insert Options: VGA, Siemon, Panduit mini-com, Commscope, Ortronics, Blank, Cable retainer, Belden EZ MDVO, Keystone
- 6' or 10' Cord or Hardwire Option
- UL 962A & UL 111 Listed
- UL 1310 Recognized
- Meets UL Spill Requirements
- Class 2, FCC Part 15 A Approved

**Dimensions**

- Ashley 202™ & 202 Bezel Standard Dimensions: 6.86" x 2.81" x 1.91"
- Ashley 202™ Bezel Standard Dimensions: 7.66" x 3.96" x 2.62"



DESCRIPTION	LENGTHS CORDED & HARDWIRE	FINISH PLASTIC FACE/METAL TRIM	MODEL
<b>ASHLEY 202 - CLAMP MOUNT</b>			
• 2 AC 15 Amp Power Outlets, 2 Data Knockouts with 2 Data Adapter Kits (connectors sold separately)	6' Corded	Black/Black	305093.01.04.06
		Gray/Silver	305093.01.01.06
		White/Silver	305093.01.57.06
		White/White	305093.01.VW.06
	10' Corded	Black/Black	305093.01.04.10
		Gray/Silver	305093.01.01.10
		White/Silver	305093.01.57.10
		White/White	305093.01.VW.10
	6' Hardwire	Black/Black	200061.01.04.06
		Gray/Silver	200061.01.01.06
		White/Silver	200061.01.57.06
		White/White	200061.01.VW.06
10' Hardwire	Black/Black	200061.01.04.10	
	Gray/Silver	200061.01.01.10	
	White/Silver	200061.01.57.10	
	White/White	200061.01.VW.10	

Data Port Insert Options: VGA, HDMI, Data, Blank Insert. See last page for all connector options. Please note: There is a cord length upcharge for models specified with 10' cord/hardwire lengths. See last page for instructions on how to specify units with specialty color finishes.

### ASHLEY 202 - UNDER

• 2 AC 15 Amp Power Outlets, 2 Data Knockouts with 2 Data Adapter Kits (connectors sold separately)	6' Corded	Black/Black	305096.01.04.06
		Gray/Silver	305096.01.01.06
		White/Silver	305096.01.57.06
		White/White	305096.01.VW.06
	10' Corded	Black/Black	305096.01.04.10
		Gray/Silver	305096.01.01.10
		White/Silver	305096.01.57.10
		White/White	305096.01.VW.10
	6' Hardwire	Black/Black	200064.01.04.06
		Gray/Silver	200064.01.01.06
		White/Silver	200064.01.57.06
		White/White	200064.01.VW.06
10' Hardwire	Black/Black	200064.01.04.10	
	Gray/Silver	200064.01.01.10	
	White/Silver	200064.01.57.10	
	White/White	200064.01.VW.10	

Data Port Insert Options: VGA, HDMI, Data, Blank Insert. See last page for all connector options. Please note: There is a cord length upcharge for models specified with 10' cord/hardwire lengths. See last page for instructions on how to specify units with specialty color finishes.

DESCRIPTION	LENGTHS CORDED & HARDWIRE	FINISH PLASTIC FACE/METAL TRIM	MODEL
<b>ASHLEY 202 - BEZEL</b>			
• 2 AC 15 Amp Power Outlets, 2 Data Knockouts with 2 Data Adapter Kits (connectors sold separately)	6' Corded	Black/Black	305099.01.04.06
		Gray/Silver	305099.01.01.06
		White/Silver	305099.01.57.06
		White/White	305099.01.VW.06
	10' Corded	Black/Black	305099.01.04.10
		Gray/Silver	305099.01.01.10
		White/Silver	305099.01.57.10
		White/White	305099.01.VW.10
	6' Hardwire	Black/Black	200067.01.04.06
		Gray/Silver	200067.01.01.06
		White/Silver	200064.01.57.06
		White/White	200067.01.VW.06
10' Hardwire	Black/Black	200067.01.04.10	
	Gray/Silver	200067.01.01.10	
	White/Silver	200064.01.57.10	
	White/White	200067.01.VW.10	

Data Port Insert Options: VGA, HDMI, Data, Blank Insert. See last page for all connector options. Please note: There is a cord length upcharge for models specified with 10' cord/hardwire lengths. See below for instructions on how to specify units with specialty color finishes.

### SPECIFICATION INSTRUCTIONS

#### TO ORDER PLEASE SPECIFY THE FOLLOWING

Step 1:	Step 2:	Step 3:
Base Model # (Part Number)	Finish Options	NEMA Plug or Hardwire Lengths

**EXAMPLE**

305050.01.57.06

Base Model: Ashley Duo  
Finish Option: White/Silver  
Cord Length: 6'

Code	Plastic Face/Metal Trim	Cord Color	Code	Cord Length
.04	Black/Black	Black	.06	6' or 72"
.02	Black/Silver	Black	.10	10' or 120"
.08	Gray/Black	Black		
.01	Gray/Silver	Black		
.05	Gray/White	Black		
.03	White/Black	White		
.57	White/Silver	White		
.VW	White/White	White		
.11	Blue Daisy/White	White		
.12	Blue Daisy/Silver	White		
.13	BlueDaisy/Black	Black		
.14	Light Green/White	White		
.15	Light Green/Silver	White		
.16	Light Green/Black	Black		
.17	Harvest Pumpkin/White	White		
.18	Harvest Pumpkin/Silver	White		
.19	Harvest Pumpkin/Black	Black		
.20	Neon Red/White	White		
.21	Neon Red/Silver	White		
.22	Neon Red/Black	Black		

**Contact Salesperson For Additional Cord Options**



BY DEKKO



BY DEKKO

**CONNECTORS (A-H)  
COMPATIBLE WITH DATA ADAPTER KIT**

DESCRIPTION	FINISH	MODEL
<b>REPLACEMENT DATA ADAPTER KITS - NEW 8-PORT STYLE</b>		
TO BE USED WITH DEKKO DATA PORT INSERT PROVIDED WITH ASHLEY 202, ASHLEY TRIO AND ASHLEY QUAD		
• Single Kit - Ashley 8-port adapter kit with clamps	Black Gray White	185110.1.04 185110.1.55 185110.1.57
• Double Kit - Ashley 8-port adapter kit with clamps	Black Gray White	185110.2.04 185110.2.55 185110.2.57
<b>ADAPTER A - VGA</b>		
• 15-pin HD VGA, female/solder	N/A	VGA #3
• 15-pin HD VGA, female/female	N/A	VGA #37
• 15-pin HD VGA, male/female	N/A	VGA #43
• 15-pin HD VGA, male/male	N/A	VGA #76
• 15-pin HD VGA female panel mount with 60" male pigtail, includes female/female gender changer (install gender changer into data tree and plug in male pigtail - panel mount end will exit unit)	N/A	#C51
<b>ADAPTER B - COMMSCOPE</b>		
• RJ45 Avaya Cat 6 female/punch down	Black	RJ45-35
• RJ11 Avaya Cat 3 female/punch down	Black	RJ11-49
• RJ11 Avaya Cat 3 female/punch down	White	RJ11-98
<b>ADAPTER C - ORTRONICS</b>		
• RJ45 Ortronics Cat 6 female/punch down	Black	RJ45-64
<b>ADAPTER D - KEYSTONE</b>		
• HDMI keystone female/female, Black	Black	HDMI-KEY-B
• HDMI keystone female/female, White	White	HDMI-KEY-W
• RJ45 AMP Cat 6 female/punch down, Black	Black	RJ45-O
• RJ11 AMP Cat 3 female/female, Black	Black	RJ11-11
• RJ45 AMP Cat 6 female/punch down, Orange	Orange	RJ45-30
• RJ11 AMP Cat 3 female/punch down, Black	Black	RJ11-31
• RJ45 Hubbell Cat 5E female/punchdown, Black	Black	RJ45-46
• RJ45 Allentell Cat 5E female/female, Black	Black	RJ45-73
• RJ45 Panduit Cat 6 Keystone female/punch down, Black	Black	RJ45-74
• RJ45 Leviton Cat 6 female/punch down, Black	Black	RJ45-75
• RJ11 Leviton Cat 3 female/punch down, Ivory	Ivory	RJ11-C23
• RJ45 Leviton Cat 6 female/punch down, Blue	Blue	RJ45-C24
• RJ11 Leviton Cat 3 female/punch down, Black	Black	RJ11-C26
• RJ45 Cat 6 Keystone female/female, Black	Black	RJ45-C38
• USB 3.0 Type A/A keystone female/female, White	White	USB-30AA-W-72K
• USB 2.0 Type A/A keystone female/female, Black	Black	USB-KEY-20AA-B
• USB 2.0 Type A/A keystone female/female, White	White	USB-KEY-20AA-W

**CONNECTORS (A-H)  
COMPATIBLE WITH DATA ADAPTER KIT**

DESCRIPTION	FINISH	MODEL
<b>ADAPTER E - BELDEN</b>		
• No available connectors	N/A	N/A
<b>ADAPTER F - PANDUIT</b>		
• RJ45 Panduit Cat 6 female/punch down	Black	RJ45-Q
• RJ45 Panduit Cat 6 female/punch down	Yellow	RJ45-48
• RJ45 Panduit Cat 5E female/punch down	Red	RJ45-55
• RJ45 Panduit Cat 6 female/punch down	Blue	RJ45-94
<b>ADAPTER G - SIEMON</b>		
• RJ11 Siemon Cat 3 female/punch down, Black	Black	RJ11-A
• RJ45 Siemon Cat 6, female/punch down, Black	Black	RJ45-B
• RJ45 Siemon Cat 5E female/punch down, Black	Black	RJ45-E
• RJ45 Siemon Cat 6 female/punch down, Ivory	Ivory	RJ45-F
• RJ45 Siemon Cat 6 female/punch down, Red	Red	RJ45-M
• RJ45 Siemon Cat 5E Shielded female/punch down, Black	Black	RJ45-S
• RJ45 Siemon Cat 6 female/punch down, Blue	Blue	RJ45-28
• RJ45 Siemon Cat 6 female/punch down, Orange	Orange	RJ45-29
• RJ45 Siemon Cat 6 female/punch down, White	White	RJ45-59
• RJ45 Siemon Cat 6 female/punch down, Gray	Gray	RJ45-60
• RJ45 Siemon Cat 6 female/punch down, Yellow	Yellow	RJ45-81
• RJ45 Siemon Cat 6A female/punch down, Black	Black	RJ45-C5
• RJ45 Siemon Cat 6 female/punch down, Green	Green	RJ45-C12
<b>ADAPTER H - CABLE</b>		
• No available connectors	N/A	N/A

