

ASHLEY TR™ SERIES

FEATURES:

Applications

- Clamp-on
- Under-mount
- Bezel

Standard Metal Trim Finishes

- Silver 
- Black 
- White 

Standard Plastic Colors

- White 
- Grey 
- Black 

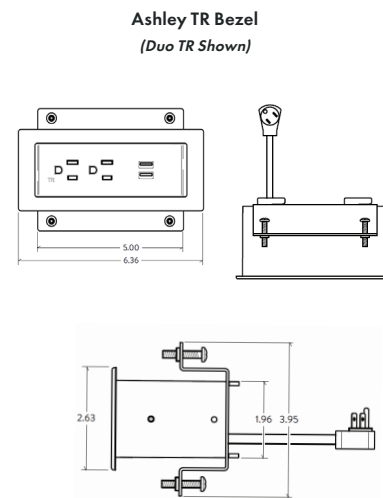
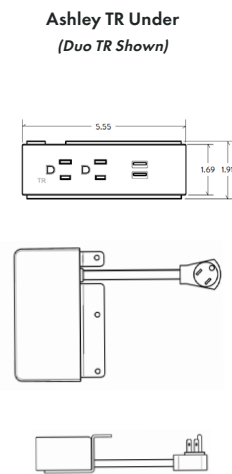
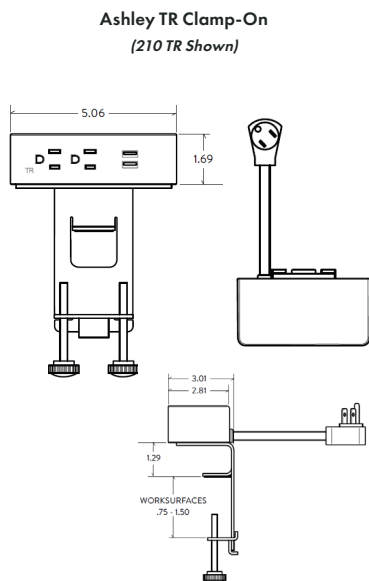


Specifications

- TR Configurations Available for Ashley 210 Clamp-On, Ashley Duo Bezel, Duo Under, and Ashley Uno Series
- 1 or 2 - 15A, 120V AC Tamper Resistant Power Outlets (*"TR" Pad-Printing on Faceplate for Verification and Recognition*)
- 2 - 2.1A/10.5W USB Charging Ports
- 6', 9' or 10' Cord Options with Three-Prong 90-Degree Plug
- UL 962A Listed
- UL 1310 Recognized
- Meets UL Spill Requirements
- Class 2, FCC Part 15 A Approved
- Meets USB.org Battery Charging 1.2 Specifications

Dimensions

- Product lengths vary by Ashley Series - See Individual Product Literature for Details.



DESCRIPTION	CORD LENGTHS	FINISH PLASTIC FACE/METAL TRIM	MODEL
ASHLEY UNO TR - CLAMP MOUNT			
<ul style="list-style-type: none"> • 1 AC 15 Amp Tamper Resistant Power Outlet, 2 USB 2.1 Amp Charging Ports with Three-Prong 90-Degree Plug 	6' Corded	Black/Black Gray/Silver White/White	305125.TR.04.06 305125.TR.01.06 305125.TR.VW.06
	9' Corded	Black/Black Gray/Silver White/White	305125.TR.04.09 305125.TR.01.09 305125.TR.VW.09
	10' Corded	Black/Black Gray/Silver White/White	305125.TR.04.10 305125.TR.01.10 305125.TR.VW.10

ASHLEY UNO TR - UNDER

<ul style="list-style-type: none"> • 1 AC 15 Amp Tamper Resistant Power Outlet, 2 USB 2.1 Amp Charging Ports with Three-Prong 90-Degree Plug 	6' Corded	Black/Black Gray/Silver White/White	305126.TR.04.06 305126.TR.01.06 305126.TR.VW.06
	9' Corded	Black/Black Gray/Silver White/White	305126.TR.04.09 305126.TR.01.09 305126.TR.VW.09
	10' Corded	Black/Black Gray/Silver White/White	305126.TR.04.10 305126.TR.01.10 305126.TR.VW.10

ASHLEY UNO TR - BEZEL

<ul style="list-style-type: none"> • 1 AC 15 Amp Tamper Resistant Power Outlet, 2 USB 2.1 Amp Charging Ports with Three-Prong 90-Degree Plug 	6' Corded	Black/Black Gray/Silver White/White	305127.TR.04.06 305127.TR.01.06 305127.TR.VW.06
	9' Corded	Black/Black Gray/Silver White/White	305127.TR.04.09 305127.TR.01.09 305127.TR.VW.09
	10' Corded	Black/Black Gray/Silver White/White	305127.TR.04.10 305127.TR.01.10 305127.TR.VW.10

Please note: There is a cord length upcharge for models specified with 10' cord lengths. See last page for instructions on how to specify units with specialty colors finishes. Specialty color requests may incur additional lead time.



BY DEKKO



BY DEKKO

DESCRIPTION	CORDED LENGTHS	FINISH PLASTIC FACE/METAL TRIM	MODEL		
ASHLEY 210 TR - CLAMP MOUNT					
<ul style="list-style-type: none"> 2 AC 15 Amp Tamper Resistant Power Outlets, 2 USB 2.1 Amp Charging Ports with Three-Prong 90-Degree Plug 	6' Corded	Black/Black Gray/Silver White/White	305094.TR.04.06 305094.TR.01.06 305094.TR.VW.06		
	9' Corded	Black/Black Gray/Silver White/White	305094.TR.04.09 305094.TR.01.09 305094.TR.VW.09		
	10' Corded	Black/Black Gray/Silver White/White	305094.TR.04.10 305094.TR.01.10 305094.TR.VW.10		
	ASHLEY DUO TR - UNDER				
	<ul style="list-style-type: none"> 2 AC 15 Amp Tamper Resistant Power Outlets, 2 USB 2.1 Amp Charging Ports with Three-Prong 90-Degree Plug 	6' Corded	Black/Black Gray/Silver White/White	305051.TR.04.06 305051.TR.01.06 305051.TR.VW.06	
		9' Corded	Black/Black Gray/Silver White/White	305051.TR.04.09 305051.TR.01.09 305051.TR.VW.09	
		10' Corded	Black/Black Gray/Silver White/White	305051.TR.04.10 305051.TR.01.10 305051.TR.VW.10	
		ASHLEY DUO TR - BEZEL			
		<ul style="list-style-type: none"> 2 AC 15 Amp Tamper Resistant Power Outlets, 2 USB 2.1 Amp Charging Ports with Three-Prong 90-Degree Plug 	6' Corded	Black/Black Gray/Silver White/White	305057.TR.04.06 305057.TR.01.06 305057.TR.VW.06
9' Corded			Black/Black Gray/Silver White/White	305057.TR.04.09 305057.TR.01.09 305057.TR.VW.09	
10' Corded			Black/Black Gray/Silver White/White	305057.TR.04.10 305057.TR.01.10 305057.TR.VW.10	

Please note: There is a cord length upcharge for models specified with 10' cord lengths.
See last page for instructions on how to specify units with specialty colors finishes.
Specialty color requests may incur additional lead time.

SPECIFICATION INSTRUCTIONS

TO ORDER PLEASE SPECIFY THE FOLLOWING

Step 1:	Step 2:	Step 3:
Base Model # (Part Number)	Finish Options	Corded 90-Degree Plug

EXAMPLE

200044.TR.57.06

Base Model: Ashley Duo TR
Finish Option: White/Silver
Cord Length: 6'

Code	Plastic Face/Metal Trim	Cord Color	Code	Cord Length
.04	Black/Black	Black	.06	6' or 72"
.02	Black/Silver	Black	.09	9' or 108"
.08	Gray/Black	Black	.10	10' or 120"
.01	Gray/Silver	Black		
.05	Gray/White	Black		
.03	White/Black	White		
.57	White/Silver	White		
.VW	White/White	White		
.11	Blue Daisy/White	White		
.12	Blue Daisy/Silver	White		
.13	BlueDaisy/Black	Black		
.14	Light Green/White	White		
.15	Light Green/Silver	White		
.16	Light Green/Black	Black		
.17	Harvest Pumpkin/White	White		
.18	Harvest Pumpkin/Silver	White		
.19	Harvest Pumpkin/Black	Black		
.20	Neon Red/White	White		
.21	Neon Red/Silver	White		
.22	Neon Red/Black	Black		

Contact Salesperson For Additional Cord Options

NOTE: Specialty Colors may incur additional lead time.