

COVE™ SERIES - DAISYLINK

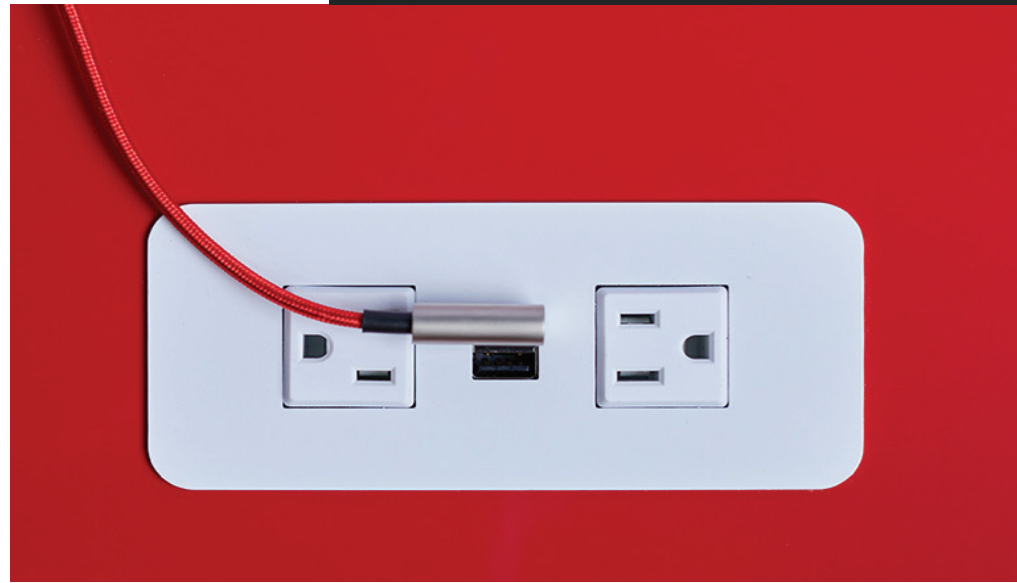
FEATURES:

Applications

Bezel / In-Surface

Standard Finishes

- Silver Pearl
- Black
- Gloss White
- Brushed Aluminum

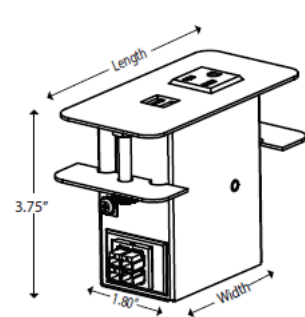


Specifications

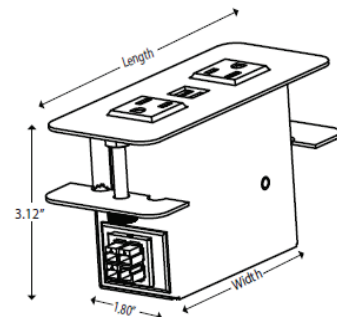
- 1-4 - 12A, 120VAC Spill Resistant Receptacles
- 2.1A/10.5W USB Charging Ports (Available on Select Models)
- Fully Customizable Telecom Plate Knockouts (Available on Select Models; Purchased Separately)
- Compatible with the 4 Wire 2 Circuit Starter and Interconnecting Cables (Purchased Separately)
- Starter & Interconnecting Cable Lengths: Minimum 12" - 180" (Specify in 1" Increments)
- Circuit 1 and 2 Options Available
- Recommended Surface Thickness: 0.75" - 1.25"
- Optional Mounting Accessory: 1.50" Mounting Bracket for Surface Thicknesses up-to 1.50"
- Mounting Capabilities include: Clamp-Mount, Screw-Mount and Units with Additional Receptacles Below the Surface (See Following Page for Additional Mounting Specifics)
- ETL Listed for US and Canada

Dimensions

- Cove Length Dimensions Vary by Configurations - 2 Power: 5"; 3 Power: 6.25"; 4 Power: 7.75"
- Cove DaisyLink One Power Configurations Standard Width & Depth Dimensions: 1.80" W x 3.75" D
- Cove DaisyLink Two, Three & Four Power Configuration Standard Width and Depth Dimensions: 1.80" W x 3.12" D



Cove 1 Power 2 USB - DaisyLink
Clamp-Mount Option Shown



Cove 2 Power 2 USB - DaisyLink
Clamp-Mount Option Shown

DESCRIPTION

FINISH

PART NUMBER

Cove™ - DaisyLink

• 1 power only, circuit 1	Gloss White Silver Pearl Black Brushed Aluminum	COV-1-4-1-GW COV-1-4-1-S COV-1-4-1-B COV-1-4-1-AL
• 2 power only, circuit 1	Gloss White Silver Pearl Black Brushed Aluminum	COV-2-4-1-GW COV-2-4-1-S COV-2-4-1-B COV-2-4-1-AL
• 3 power only, circuit 1	Gloss White Silver Pearl Black Brushed Aluminum	COV-3-4-1-GW COV-3-4-1-S COV-3-4-1-B COV-3-4-1-AL
• 4 power only, circuit 1	Gloss White Silver Pearl Black Brushed Aluminum	COV-4-4-1-GW COV-4-4-1-S COV-4-4-1-B COV-4-4-1-AL
• 1 power, 2 USB ports, circuit 1	Gloss White Silver Pearl Black Brushed Aluminum	COV-1U-4-1-GW COV-1U-4-1-S COV-1U-4-1-B COV-1U-4-1-AL
• 2 power 2 USB ports, circuit 1	Gloss White Silver Pearl Black Brushed Aluminum	COV-2U-4-1-GW COV-2U-4-1-S COV-2U-4-1-B COV-2U-4-1-AL
• 3 power 2 USB ports, circuit 1	Gloss White Silver Pearl Black Brushed Aluminum	COV-3U-4-1-GW COV-3U-4-1-S COV-3U-4-1-B COV-3U-4-1-AL
• 4 power 2 USB ports, circuit 1	Gloss White Silver Pearl Black Brushed Aluminum	COV-4U-4-1-GW COV-4U-4-1-S COV-4U-4-1-B COV-4U-4-1-AL
• 2 power 2 USB ports, 1 telecom plate knockout, circuit 1	Gloss White Silver Pearl Black Brushed Aluminum	COV-2U-4-1-D-GW COV-2U-4-1-D-S COV-2U-4-1-D-B COV-2U-4-1-D-AL
• 3 power, 2 USB ports, 1 telecom plate knockout, circuit 1	Gloss White Silver Pearl Black Brushed Aluminum	COV-3U-4-1-D-GW COV-3U-4-1-D-S COV-3U-4-1-D-B COV-3U-4-1-D-AL
• 4 power, 2 USB ports, 1 telecom plate knockout, circuit 1	Gloss White Silver Pearl Black Brushed Aluminum	COV-4U-4-1-D-GW COV-4U-4-1-D-S COV-4U-4-1-D-B COV-4U-4-1-D-AL

Change the "1" to a "2" to specify circuit 2.

DaisyLink Starter & Interconnecting Cable Options

• Female/Female Interconnecting Cable	12" -180" Cable	42-FF-Length*
• Female/Male Interconnecting Cable	12"-180" Cable	42FM-Length*
• Hardwire Starter Cable	12"-180" Cable	42SB2-Length*
• T-Connector used to branch into different directions	Black	Daisy-T
• DaisyLink Nylon Black Cable Covers - Add "B" to cabling part number	Black	Cable Covers "B"

Specify in increments of 1" Cable Lengths in Part Number.
Cable Lengths Minimum of 12" - 180" Maximum.

Cove Bracket Accessory

• Optional Cove Mounting Bracket for Table Thicknesses up to 1.50"	Black	COV-1.5-BRKT
--	-------	--------------

