

DATA POWER PAK

FEATURES:

Applications

Under
Benching systems

Standard Finishes

Black

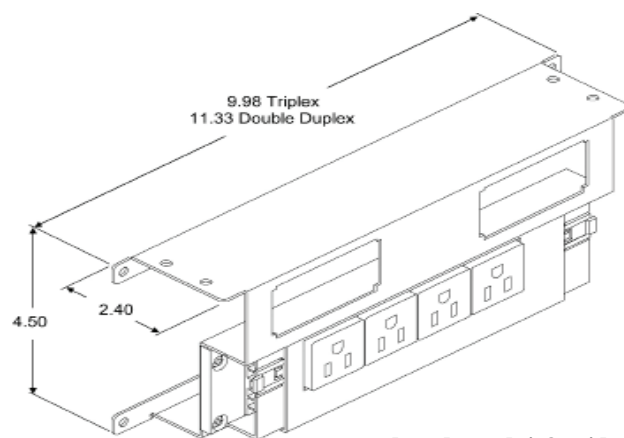


Specifications

- Functions with Electri-Pak 8 Wire 3 Circuit or 8 Wire 4 Circuit Systems
- Triplex and Quad Power Blocks - *Single-Sided Only*
- 3 or 4 15A/120V AC Simplex Receptacles (Receptacles are Configurable based on Circuit Requirements)
- 120V Controlled Circuit Simplex Receptacle Options Available
- 2 Telecom Plate Knockouts - Fully Customizable (*Purchased Separately*)
- Constructed of Black Powder-Coated Steel
- Controlled Circuit Simplex Receptacles Comply with Ashrae 90.1 & Title 24 Energy Efficiency Regulations

Dimensions

- Triplex Standard Dimensions: 9.98" x 2.40" x 4.50"
- Double Duplex Dimensions: 11.33" x 2.40" x 4.50"



Data Power Pak Quad Power Module with Telecom Plate Cutouts Shown

DESCRIPTION

FINISH

PART NUMBER

Data Power Pak - 8 Wire 3 Circuit

- Single-Circuit - 1 Triplex Power Module with 3 Circuit 1 receptacles and 2 telecom plate knockouts
- Multi-Circuit - 1 Triplex Power Module with Circuit 1, 2 and IG receptacles and 2 telecom plate knockouts
- Single-Circuit - 1 Double Duplex Power Module with 4 Circuit 1 receptacles and 2 telecom plate knockouts
- Multi-Circuit - 1 Double Duplex Power Module with 2 Circuit 1, 1 Circuit 2, and 1 IG receptacles and 2 telecom plate knockouts

DESCRIPTION	FINISH	PART NUMBER
Single-Circuit - 1 Triplex Power Module with 3 Circuit 1 receptacles and 2 telecom plate knockouts	Black	83 DPP 001
Multi-Circuit - 1 Triplex Power Module with Circuit 1, 2 and IG receptacles and 2 telecom plate knockouts	Black	83 DPP
Single-Circuit - 1 Double Duplex Power Module with 4 Circuit 1 receptacles and 2 telecom plate knockouts	Black	834 DPP 1111
Multi-Circuit - 1 Double Duplex Power Module with 2 Circuit 1, 1 Circuit 2, and 1 IG receptacles and 2 telecom plate knockouts	Black	834 DPP 01

Data Power Pak - 8 Wire 4 Circuit

- 1 Triplex Power Module with 3 Circuit 1 receptacles and 2 telecom plate knockouts
- 1 Triplex Power Module with Circuit 1, 2 and IG receptacles and 2 telecom plate knockouts
- 1 Double Duplex Power Module with 4 Circuit 1 receptacles and 2 telecom plate knockouts
- 1 Double Duplex Power Module with 1 Circuit 1, 2,3 and 4 receptacles and 2 telecom plate knockouts
- 1 Double Duplex Power Module with Controlled Circuits 1 and 2 receptacles, 1 IG receptacle, and 1 Circuit 4 receptacle and 2 telecom plate knockouts
- 1 Double Duplex Power Module with Controlled Circuits 2 and 4 receptacles, 1 IG receptacle, and 1 Circuit 1 receptacle and 2 telecom plate knockouts
- 1 Double Duplex Power Module with Controlled Circuits 1 and 4 receptacles, 1 IG receptacle, and 1 Circuit 2 receptacle and 2 telecom plate knockouts
- 1 Double Duplex Power Module with Controlled Circuits 3 and 4 receptacles, and 1 Circuit 2 and 2 receptacles and 2 telecom plate knockouts

DESCRIPTION	FINISH	PART NUMBER
1 Triplex Power Module with 3 Circuit 1 receptacles and 2 telecom plate knockouts	Black	84 DPP 01
1 Triplex Power Module with Circuit 1, 2 and IG receptacles and 2 telecom plate knockouts	Black	84 DPP
1 Double Duplex Power Module with 4 Circuit 1 receptacles and 2 telecom plate knockouts	Black	844 DPP 01
1 Double Duplex Power Module with 1 Circuit 1, 2,3 and 4 receptacles and 2 telecom plate knockouts	Black	844 DPP
1 Double Duplex Power Module with Controlled Circuits 1 and 2 receptacles, 1 IG receptacle, and 1 Circuit 4 receptacle and 2 telecom plate knockouts	Black	844DPP1CC2CCG4
1 Double Duplex Power Module with Controlled Circuits 2 and 4 receptacles, 1 IG receptacle, and 1 Circuit 1 receptacle and 2 telecom plate knockouts	Black	844DPP12CCG4CC
1 Double Duplex Power Module with Controlled Circuits 1 and 4 receptacles, 1 IG receptacle, and 1 Circuit 2 receptacle and 2 telecom plate knockouts	Black	844DPP1CC2G4CC
1 Double Duplex Power Module with Controlled Circuits 3 and 4 receptacles, and 1 Circuit 2 and 2 receptacles and 2 telecom plate knockouts	Black	844DPP123CC4CC

Telecom plates sold separately.
See Electri-Pak Literature for Additional Component Details.