

INTERACT G2 - CORDED & HARDWIRED

FEATURES:

Applications

Bezel / In-surface
 Conferencing/Meeting Applications

Standard Finishes

- Silver Pearl
- Black
- Gloss White
- Brushed Aluminum
- Brushed Stainless Steel

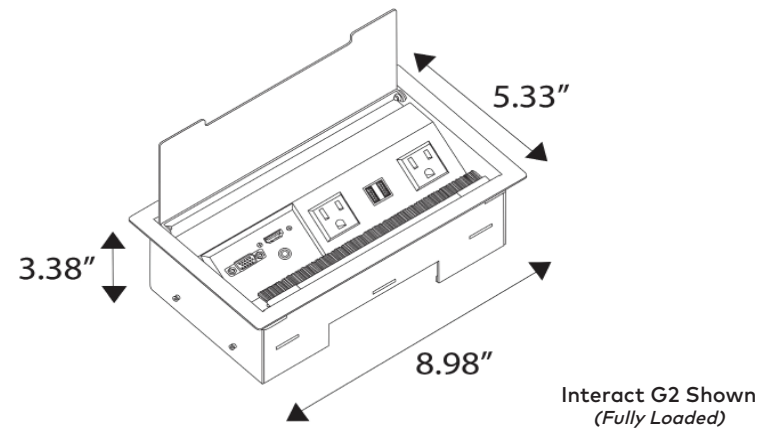


Specifications

- 2 - 15A/120V AC Power Receptacles
- 2 - 2.1A/10.5W USB Charging Ports
- 1 Convenience Outlet
- 1 Telecom Plate Knockout - Fully Customizable (*Purchased Separately*)
- 2 Data Knockouts
- 2 Cord Pass Thru's for Cord Management
- Corded & Hardwired Options
- Standard Cord and Hardwire Whip Length: 72"
- Recommended Table Thickness: 0.87" - 2"
- Recommended Table Cutout: 8.38" x 4.75"
- ETL Listed for US and Canada

Dimensions

- Standard Interact G2 Series Dimensions : 8.98" x 5.33" x 3.38"



DESCRIPTION

FINISH

PART NUMBER

Interact G2 - Corded

- 2 Power Receptacles, (2) 2.1amp USB, 1 Telecom Plate Knockout, 2 Data Knockouts for 2 RJ45 Cat 6 Data, 2 Cord Pass Throughs, 1 Convenience Outlet, 72" Cord

Silver Pearl
 Black
 Gloss White
 Brushed Aluminum
 Brushed Stainless Steel

ACT-21U-S-72
 ACT-21U-B-72
 ACT-21U-GW-72
 ACT-21U-AL-72
 ACT-21U-SS-72

- 2 Power Receptacles, 1 Telecom Plate Knockout, Knockouts for (2) RJ45 Cat 6 Data, 2 Cord Pass Throughs, 1 Convenience Outlet, 72" Cord

Silver Pearl
 Black
 Gloss White
 Brushed Aluminum
 Brushed Stainless Steel

ACT-21-S-72
 ACT-21-B-72
 ACT-21-GW-72
 ACT-21-AL-72
 ACT-21-SS-72

Interact G2 - Hardwired

- 2 Power Receptacles, (2) 2.1amp USB, 1 Telecom Plate Knockout, Knockouts for (2) RJ45 Cat 6 Data, 2 Cord Pass Throughs, 1 Convenience Outlet, 72" Hardwire

Silver Pearl
 Black
 Gloss White
 Brushed Aluminum
 Brushed Stainless Steel

ACT-21U-S-HW-72
 ACT-21U-B-HW-72
 ACT-21U-GW-HW72
 ACT-21U-AL-HW72
 ACT-21U-SS-HW72

- 2 Power Receptacles, 1 Telecom Plate Knockout, Knockouts for (2) RJ45 Cat 6 Data, 2 Cord Pass Throughs, 1 Convenience Outlet, 72" Hardwire

Silver Pearl
 Black
 Gloss White
 Brushed Aluminum
 Brushed Stainless Steel

ACT-21-S-HW-72
 ACT-21-B-HW-72
 ACT-21-GW-HW-72
 ACT-21-AL-HW-72
 ACT-21-SS-HW-72

Additional cord length options for standard lengths are available for an added fee: 36", 108", 144", 180"
 Hardwire requests are an additional \$10 plus fee for above standard length requests.
 Note: One time \$295.00 Custom cord length fee for all non-standard cord length requests (ie. 43" or 121")