

INTERCEPT™ - CORDED & HARDWIRED

FEATURES:

Applications

Bezel / In-surface
 Conferencing/Meeting Applications

Standard Finishes

Black

Standard Top Finishes

Black
 Brushed Stainless Steel

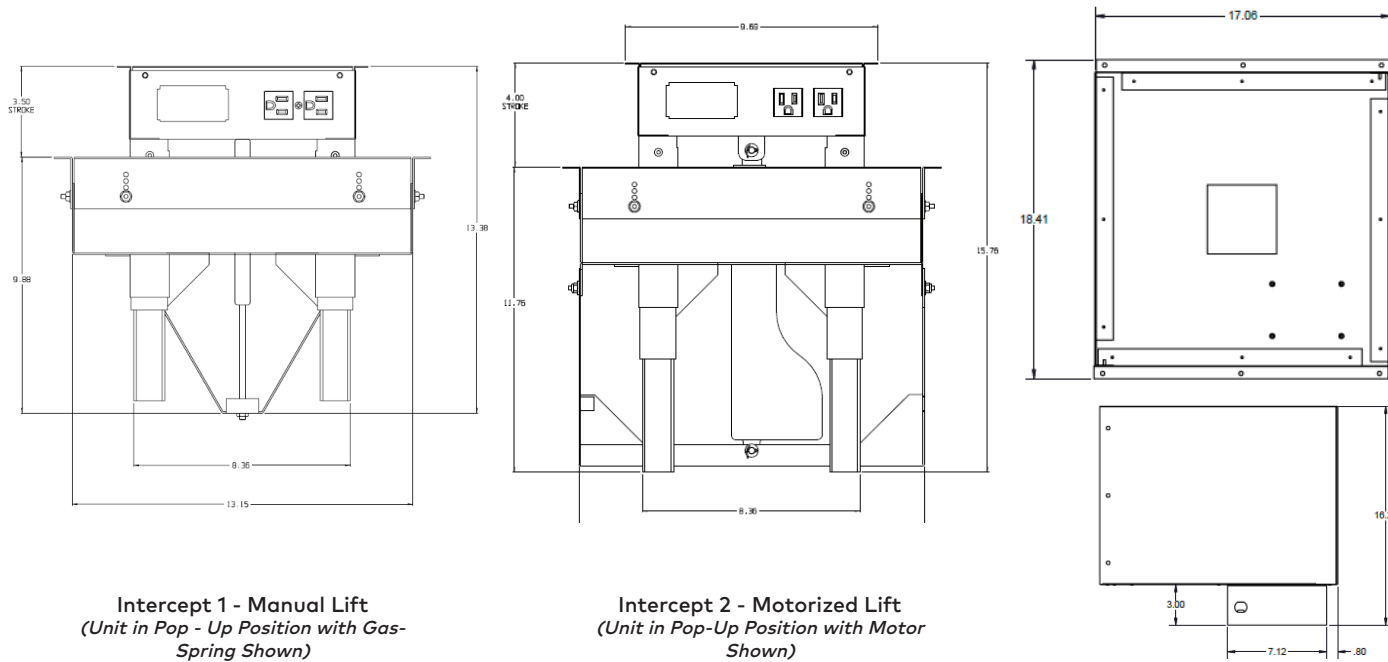


Specifications

- 8 - 15A/120V AC Power Receptacles
- 15A Circuit Breaker
- 4 Telecom Plate Knockouts - Fully Customizable (*Purchased Separately*)
- Corded and Hardwired Options
- Standard Cord and Hardwire Whip Length: 72"
- Manual (*Intercept 1*) or Motorized (*Intercept 2*) Versions
- Switch Box For Motorized Version (*Intercept 2 Only*)
- Optional Accessories: Trim Kit, Top/Lid & Out Pan (*Used for Concealing Unit Above and Below Surface*)
- Includes Brush Trim Cut for Easy Installation
- Recommended Table Thickness: .656" - 1.625"
- Recommended Table Cutout: 13.125" x 13.125"
- UL Listed for US and Canada (*Intercept 2 Only*)
- CSA Certified (*Intercept 1 Only*)

Dimensions

- Intercept 1 & 2 Overall Dimensions : 14.53" L x 14.53" W
- Intercept 1 in Pop-Up Position Dimensions: 3.50" H
- Intercept 2 in Pop-Up Position Dimensions: 4" H
- Standard Outerpan Dimensions: 18.41" L x 17.06" W



DESCRIPTION

FINISH

PART NUMBER

Intercept™ 1 - Corded & Hardwired

- | | | |
|--|-------|----------------|
| <ul style="list-style-type: none"> • Gas Spring Manual Lift, 8 Power Receptacles and Cutouts for 4 Telecom Plates 72" Cord | Black | INTERCEPT I SC |
| <ul style="list-style-type: none"> • Gas Spring Manual Lift, 8 Power Receptacles and Cutouts for 4 Telecom Plates 72" Hardwired | Black | INTERCEPT I HW |

Intercept™ 2 - Corded & Hardwired

- | | | |
|---|-------|----------------|
| <ul style="list-style-type: none"> • Motorized Lift with Switch Box, 8 Power Receptacles and Cutouts for 4 Telecom Plates, 72" Cord. Outer Pan Included | Black | INTERCEPT 2 SC |
| <ul style="list-style-type: none"> • Motorized Lift with Switch Box, 8 Power Receptacles and Cutouts for 4 Telecom Plates, 72" Hardwired. Outer Pan Included | Black | INTERCEPT 2 HW |

Accessories

- | | | |
|--|----------------------------------|--------------------------------------|
| <ul style="list-style-type: none"> • Trim Kit, Bezel with Wire Management Brush to Trim the Cutout | Black
Brushed Stainless Steel | AK 99
AK 99 SS |
| <ul style="list-style-type: none"> • Intercept Top/Lid | Black
Brushed Stainless Steel | INTERCEPT TOP BL
INTERCEPT TOP SS |
| <ul style="list-style-type: none"> • Outer Pan for Concealing Unit when not Installed in a Pedestal | Black | INTERCEPT OP |

Replacement Parts - Intercept 2 Only

- | | | |
|--|-------|-------------------|
| <ul style="list-style-type: none"> • Switch Box for Intercept 2 | Black | INTERCPT 2 SWITCH |
|--|-------|-------------------|

PART NUMBER KEY:

INTERCEPT I— Gas Spring Manual Lift
 INTERCEPT 2— Motorized Lift