

**INTERFACE G2 - CORDED & HARDWIRED**

**FEATURES:**

**Applications**

Bezel / In-surface  
Conference rooms

**Standard Finishes**

- Silver Pearl
- Black
- Gloss White
- Brushed Aluminum
- Brushed Stainless Steel

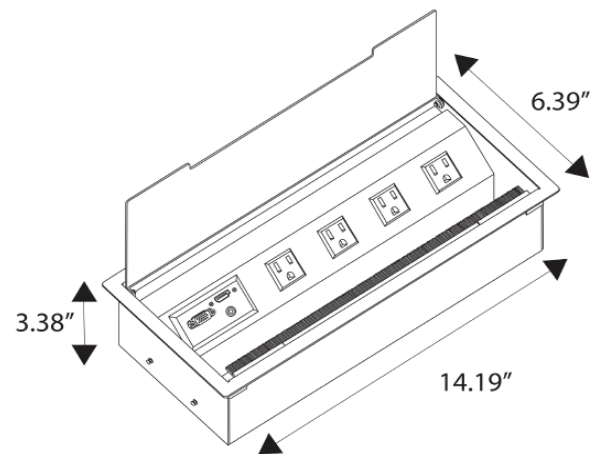


**Specifications**

- 4 - 15A, 120VAC Receptacles
- 2.1A/10.5W USB Charging Ports (Available on Select Models)
- 1 Convenience Outlet
- 3 Telecom Plate Knockouts - Fully Customizable (Purchased Separately)
- Corded & Hardwired Options
- Standard Cord and Hardwire Whip Length: 72"
- Recommended Table Thickness: 0.87" - 2"
- Recommended Table Cutout: 13.635" x 6"
- ETL Listed for US and Canada

**Dimensions**

- Interface G2 Power Only & USB Dimensions : 14.19" x 6.39" x 3.38"



Interface G2 Power with Data Configuration Shown

**DESCRIPTION**

**FINISH**

**PART NUMBER**

**Interface G2 - Corded**

- 4 Power Receptacles, (2) 2.1amp USB, 3 Telecom Plate Knockouts, 1 Convenience Outlet, 72" Cord

Silver Pearl  
Black  
Gloss White  
Brushed Aluminum  
Brushed Stainless Steel

INT-41U-S-72  
INT-41U-B-72  
INT-41U-GW-72  
INT-41U-AL-72  
INT-41U-SS-72

- 4 Power Receptacles, 3 Telecom Plate Knockouts, 1 Convenience Outlet, 72" Cord

Silver Pearl  
Black  
Gloss White  
Brushed Aluminum  
Brushed Stainless Steel

INT-41-S-72  
INT-41-B-72  
INT-41-GW-72  
INT-41-AL-72  
INT-41-SS-72

**Interface G2 - Hardwired**

- 4 Power Receptacles, (2) 2.1amp USB, 3 Telecom Plate knockouts, 1 Convenience Outlet, 72" Hardwire

Silver Pearl  
Black  
Gloss White  
Brushed Aluminum  
Brushed Stainless Steel

INT-41U-S-HW-72  
INT-41U-B-HW-72  
INT-41U-GW-HW72  
INT-41U-AL-HW72  
INT-41U-SS-HW72

- 4 Power Receptacles, 3 Telecom Plate Knockouts, 1 Convenience Outlet, 72" Hardwire

Silver Pearl  
Black  
Gloss White  
Brushed Aluminum  
Brushed Stainless Steel

INT-41-S-HW-72  
INT-41-B-HW-72  
INT-41-GW-HW-72  
INT-41-AL-HW-72  
INT-41-SS-HW-72

Additional cord length options for standard lengths are available for an added fee: 36", 108", 144", 180"  
Hardwire requests are an additional \$10 plus fee for above standard length requests.  
Note: One time \$295.00 Custom cord length fee for all non-standard cord length requests (ie. 43" or 121")