

INTERFACE II TT - CORDED & HARDWIRED

FEATURES:

Applications

Bezel / In-surface
Conferencing/Meeting Applications

Standard Finishes

Silver Pearl

Black

Brushed Aluminum

Brushed Stainless Steel

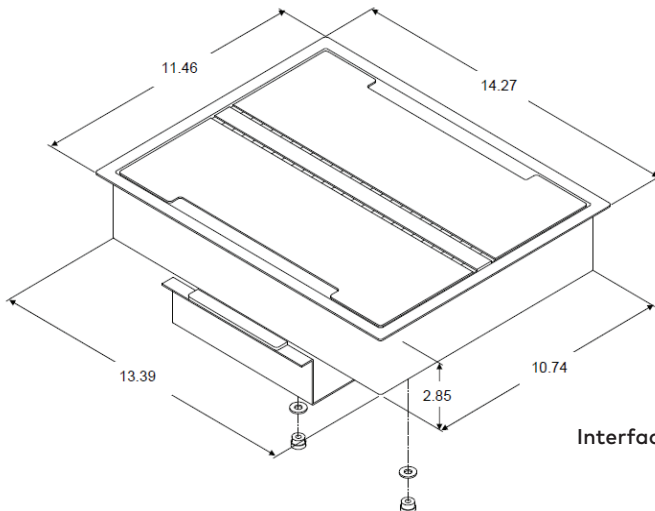


Specifications

- 8 - 15A, 120V AC Power Receptacles
- 15A Circuit Breaker
- 1 Convenience Outlet (*Available on Select Models*)
- 8 Telecom Plate Knockouts - Fully Customizable (*Purchased Separately*)
- Corded & Hardwired Options
- Standard Cord and Hardwired Whip Lengths: 72", 144", 180"
- Recommended Table Thickness: 0.87" - 2"
- Recommended Table Cutout: 13.625" x 10.937"
- UL Listed for US and Canada (*Corded Versions Only*)
- CSA Certified

Dimensions

- Overall Interface II TT Dimensions : 14.27" L x 11.46" W x 2.85" D



Interface II TT Closed-Lid
Shown

DESCRIPTION	FINISH	PART NUMBER
Interface II TT - Corded		
• Double Sided Tabletop Unit with 8 Power Receptacles, 15 AMP Circuit breaker and 8 Telecom Plate Knockouts - 72" Cord	Black Silver Pearl Brushed Aluminum Brushed Stainless Steel	INTRFC II TT SC INTRFC II TT CS INTRFC II TT-ALSC INTRFC II TT-SSSC
• Double Sided Tabletop Unit with 8 Power Receptacles, 15 AMP Circuit breaker and 8 Telecom Plate Knockouts - 108" Cord	Black Silver Pearl Brushed Aluminum Brushed Stainless Steel	INTRFC II TT 06 INTRFC II TT 32 INTRFC II TTAL01 INTRFC II TT SS01
• Double Sided Tabletop Unit with 8 Power Receptacles, 15 AMP Circuit breaker and 8 Telecom Plate Knockouts - 144" Cord	Black Silver Pearl Brushed Aluminum Brushed Stainless Steel	INTRFC II TT 12 INTRFC II TT 33 INTRFC II TTAL02 INTRFC II TT 25
• Double Sided Tabletop Unit with 8 Power Receptacles, 15 AMP Circuit breaker and 8 Telecom Plate Knockouts - 180" Cord	Black Silver Pearl Brushed Aluminum Brushed Stainless Steel	INT-II-TT-B180 INT-II-TT-SP180 INT-II-TT-AL180 INT-II-TT-SS180
• Double Sided Tabletop Unit with 8 Power Receptacles, 15 AMP Circuit breaker and 8 Telecom Plate Knockouts with convenience receptacle and underside of unit - 72" Cord	Black Silver Pearl Brushed Aluminum Brushed Stainless Steel	INTRFC II TT DC INT-II-TTSPDC72 INTRFC II TTALDC INTRFC II TT 04
• Double Sided Tabletop Unit with 8 Power Receptacles, 15 AMP Circuit breaker and 8 Telecom Plate Knockouts with convenience receptacle and underside of unit - 108" Cord	Black Silver Pearl Brushed Aluminum Brushed Stainless Steel	INTRFC II TTDC1 INTRFC II TT DC2 INTIITTDICAL108 INTIITTSDDC108
• Double Sided Tabletop Unit with 8 Power Receptacles, 15 AMP Circuit breaker and 8 Telecom Plate Knockouts with convenience receptacle and underside of unit - 144" Cord	Black Silver Pearl Brushed Aluminum Brushed Stainless Steel	INT-II-TTBDC144 INT-IITTSPDC144 INTIITTDICAL144 INTIITTSDDC144
• Double Sided Tabletop Unit with 8 Power Receptacles, 15 AMP Circuit breaker and 8 Telecom Plate Knockouts with convenience receptacle and underside of unit - 180" Cord	Black Silver Pearl Brushed Aluminum Brushed Stainless Steel	INT-II-TTBDC180 INT-IITTSPDC180 INTIITTDICAL180 INTIITTSDDC180

DESCRIPTION	FINISH	PART NUMBER
Interface II TT - Hardwire		
• Double Sided Tabletop Unit with 8 Power Receptacles, 15 AMP Circuit breaker and 8 Telecom Plate Knockouts - 72" Hardwire	Black Silver Pearl Brushed Aluminum Brushed Stainless Steel	INTRFC II TT HW INTRFC II TT HW6 INTRFC II TTAL03 INTRFC II TT-SSHW
• Double Sided Tabletop Unit with 8 Power Receptacles, 15 AMP Circuit breaker and 8 Telecom Plate Knockouts - 108" Hardwire	Black Silver Pearl Brushed Aluminum Brushed Stainless Steel	INTRFC II TTHW4 INTRFC II TT HW7 INTRFC II TTAL04 INTRFC II TT SS02
• Double Sided Tabletop Unit with 8 Power Receptacles, 15 AMP Circuit breaker and 8 Telecom Plate Knockouts - 144" Hardwire	Black Silver Pearl Brushed Aluminum Brushed Stainless Steel	INTRFC II TTHW5 INTRFC II TT HW8 INTRFC II TTAL05 INTRFC II TT SS03
• Double Sided Tabletop Unit with 8 Power Receptacles, 15 AMP Circuit breaker and 8 Telecom Plate Knockouts - 180" Hardwire	Black Silver Pearl Brushed Aluminum Brushed Stainless Steel	INT-IITTBHW180 INT-IITTSPhw180 INT-IITTALHW180 INT-IITTSshw180
• Double Sided Tabletop Unit with 8 Power Receptacles, 15 AMP Circuit breaker and 8 Telecom Plate Knockouts with convenience receptacle and underside of unit - 72" Hardwire	Black Silver Pearl Brushed Aluminum Brushed Stainless Steel	INTRFC2 TTHWDC INT-IITT-SPHWDC INTIITTDLCHW72 INTRFC II TT 03
• Double Sided Tabletop Unit with 8 Power Receptacles, 15 AMP Circuit breaker and 8 Telecom Plate Knockouts with convenience receptacle and underside of unit - 108" Hardwire	Black Silver Pearl Brushed Aluminum Brushed Stainless Steel	INTIITTBHWDC108 INTIITTSHWDC108 INTIITTALHDC108 INTIITTSDDC108
• Double Sided Tabletop Unit with 8 Power Receptacles, 15 AMP Circuit breaker and 8 Telecom Plate Knockouts with convenience receptacle and underside of unit - 144" Hardwire	Black Silver Pearl Brushed Aluminum Brushed Stainless Steel	INTIITTBHWDC144 INTIITTSHWDC144 INTIITTALHDC144 INTIITTSDDC144
• Double Sided Tabletop Unit with 8 Power Receptacles, 15 AMP Circuit breaker and 8 Telecom Plate Knockouts with convenience receptacle and underside of unit - 180" Hardwire	Black Silver Pearl Brushed Aluminum Brushed Stainless Steel	INTIITTBHWDC180 INTIITTSHWDC180 INTIITTALHDC180 INTIITTSDDC180