




POWER SLIP™ - QUICK KIT

FEATURES:

Applications

- Bezel / In-Surface
- Under
- Height Adjustable Tables

Standard Finishes

- Silver Pearl 
- Black 
- Gloss White 

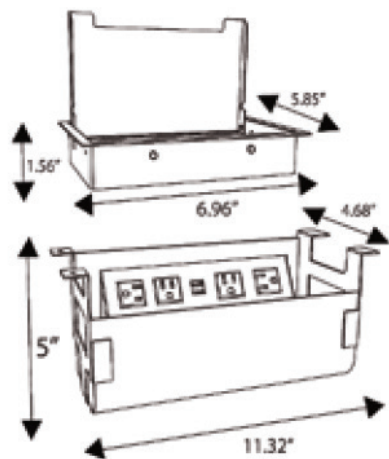


Specifications

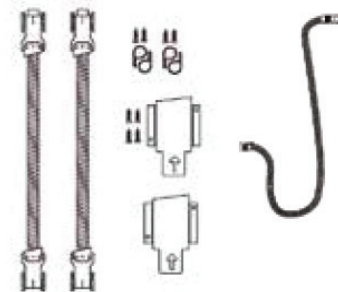
- 2 or 4 - 15A, 120V AC Power Receptacles
- 2 - 2.1A/10.5W USB Charging Ports
- 2 Telecom Plate Knockouts - Fully Customizable (Located in the Wire Manager Basket)
- Quick Kit Components: Power Slip™ Unit, Cable Kit, and Power Infeed (All Sold Separately)
- Cable Kits Include: 2 - 4 Wire 2 Circuit DaisyLink™ Female/Female Cables, 2 Mounting Brackets & Mounting Screws, 2 Clamps, & 1 Loop Cable
- Circuit 1 & 2 Options Available
- Grommet Accessory & Mounting Hardware Included with Purchase of Power Slip™ Unit
- ETL Listed for US and Canada

Dimensions

- Power Slip™ Standard Dimensions: 11.32" x 4.68" x 5"



Power Slip
4 Power 2 USB with Wire Manager
Basket and Grommet Shown



Cable Kit



Power Infeed
4220AP1-72 Shown

DESCRIPTION

FINISH

PART NUMBER

Quick Kit - Step 1: Select Unit

- | | | |
|--|--------------|-------------|
| • 2 Power 2 USB Power Unit, 2 Telecom Plate Knockouts and Grommet Lid, Circuit 1 | Silver Pearl | PS-41-2U-S |
| | Black | PS-41-2U-B |
| | Gloss White | PS-41-2U-GW |
| • 4 Power 2 USB Unit, 2 Telecom Plate Knockouts and Grommet Lid, Circuit 1 | Silver Pearl | PS-41-4U-S |
| | Black | PS-41-4U-B |
| | Gloss White | PS-41-4U-GW |

Change "41" to "42" in Part Number to Specify Circuit 2 Option.

Step 2: Select Cable Kit - Based on Table Length

- | | | |
|--|-----|---------------|
| • 42" Table Kit: 2 42FM-19" cables, 2 Mounting Brackets, Mounting Screws, 2 Clamps, 42" Loop Cable with Black Mesh | N/A | PS-CAB-KIT-42 |
| • 48" Table Kit: 2 42FM-22" cables, 2 Mounting Brackets, Mounting Screws, 2 U Clamps, 42" Loop Cable with Black Mesh | N/A | PS-CAB-KIT-48 |
| • 54" Table Kit: 2 42FM-25" cables, 2 Mounting Brackets, Mounting Screws, 2 U Clamps, 42" Loop Cable with Black Mesh | N/A | PS-CAB-KIT-54 |
| • 60" Table Kit: 2 42FM-28" cables, 2 Mounting Brackets, Mounting Screws, 2 U Clamps, 42" Loop Cable with Black Mesh | N/A | PS-CAB-KIT-60 |
| • 66" Table Kit: 2 42FM-31" cables, 2 Mounting Brackets, Mounting Screws, 2 U Clamps, 42" Loop Cable with Black Mesh | N/A | PS-CAB-KIT-66 |
| • 72" Table Kit: 2 42FM-34" cables, 2 Mounting Brackets, Mounting Screws, 2 U Clamps, 42" Loop Cable with Black Mesh | N/A | PS-CAB-KIT-72 |
| • 84" Table Kit: 2 42FM-40" cables, 2 Mounting Brackets, Mounting Screws, 2 U Clamps, 42" Loop Cable with Black Mesh | N/A | PS-CAB-KIT-84 |

Step 3: Select Power Infeed

- | | | |
|---|-------|------------------|
| • Multi-Circuit Hardwire Power Infeed with Black Mesh | Black | 42SB2- LENGTH- B |
| • Insert for Floor Box and Wall Outlet Applications. Fits Standard Decora® Opening. | Black | 42 QD INSERT |
| • Single Circuit 20 Amp Power Infeed with 72" Molded Plug with Black Mesh | Black | 4220AP1-72-B |