

SAND DOLLAR

FEATURES:

Applications

Bezel / In-surface

Standard Finishes

- Gray
- Black
- Gloss White
- Light Blue
- Light Green
- Pure Orange
- Signal Red
- Sulfur Yellow

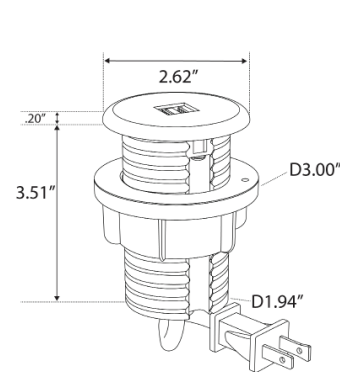


Specifications

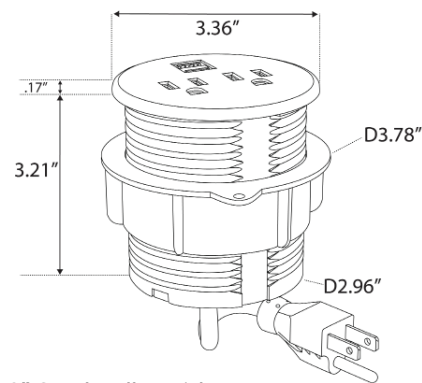
- 1-2 - 15A, 120V AC Tamper Resistant Receptacles
- 2.1A/10.5W USB Charging Ports
- 2" and 3" Models Offered
- 72" Standard Cord with NEMA 5-15 Straight Plug
- Recommended Table Thickness: 0.25" - 2"
- Recommended Table Cut Out: 80mm for 3" Unit and 60 mm for 2" Unit
- Fastening Ring Included Secures Unit to Surface
- ETL Listed for US and Canada

Dimensions

- 3" Sand Dollar Dimensions: 3.36" x 3.21"
- 2" Standard Sand Dollar Dimensions (USB & Power Only): 2.62" x 3.51"



2" Sand Dollar with 2 USB Shown



3" Sand Dollar with 2 Power 2 USB Shown

DESCRIPTION

FINISH

PART NUMBER

Sand Dollar Configurations

<ul style="list-style-type: none"> • 1 Power with 72" cord, 2" Unit 	Black	SAN-2-1-B-72
	White	SAN-2-1-W-72
	Gray	SAN-2-1-GY-72
	Light Blue	SAN-2-1-LB-72
	Light Green	SAN-2-1-LG-72
	Sulfur Yellow	SAN-2-1-SY-72
	Pure Orange	SAN-2-1-PO-72
	Signal Red	SAN-2-1-SR-72
	<ul style="list-style-type: none"> • 2 USB with 72" cord, 2" Unit 	Black
White		SAN-2-U-W-72
Gray		SAN-2-U-GY-72
Light Blue		SAN-2-U-LB-72
Light Green		SAN-2-U-LG-72
Sulfur Yellow		SAN-2-U-SY-72
Pure Orange		SAN-2-U-PO-72
Signal Red		SAN-2-U-SR-72
<ul style="list-style-type: none"> • 2 Power & 2 USB with 72" cord, 3" Unit 		Black
	White	SAN-3-2U-W-72
	Gray	SAN-3-2U-GY-72
	Light Blue	SAN-3-2U-LB-72
	Light Green	SAN-3-2U-LG-72
	Sulfur Yellow	SAN-3-2U-SY-72
	Pure Orange	SAN-3-2U-PO-72
	Signal Red	SAN-3-2U-SR-72