

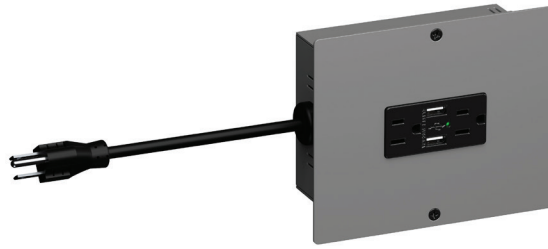
FEATURES:

Applications

Bezel / In-Surface (Recessed)
 Surface-Mount (Surface)
 Lockers

Standard Finishes

- Silver Pearl
- Gloss White
- Black
- Graphite Gray



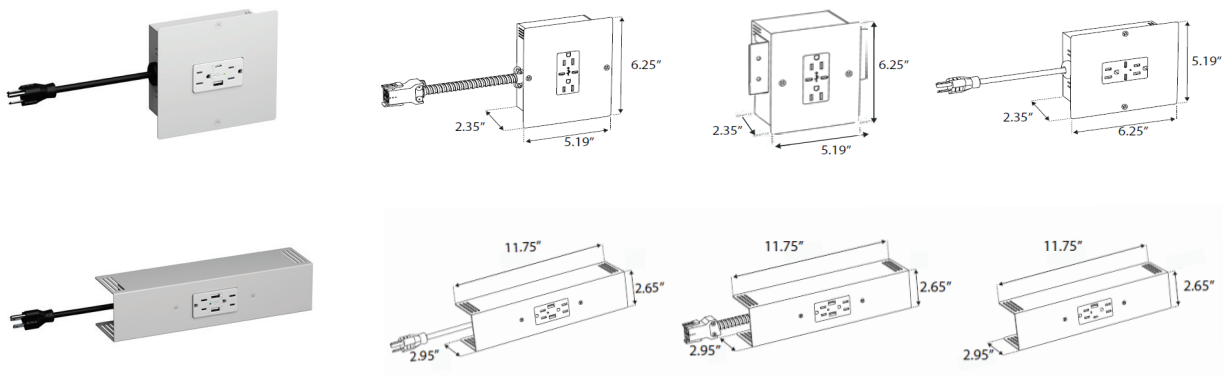
Specifications

- 2 - 15A/120V AC Tamper Resistant Receptacles
- GFCI* Outlets with RESET/TEST Buttons Available
- 5A/25W, 5VDC USB and USB-C Charging Ports (*Available on Select Models*)
- Offered as 2 Mounting-Styles: Recessed-Style for Metal & Wood Surfaces (Flush to Locker Interior); Surface-Style (On-surface of Locker Interior)
- Standard Cord Length: 108"
- ETL Listed for US and Canada

*NOTE: GFCI (Ground-Fault Circuit Interrupter) is a fast-acting circuit breaker designed to shut o electric power in the event of a ground-fault; protecting any persons from receiving shock in the event of being exposed to water. Each outlet has a RESET and TEST button. OSHA Standard.

Dimensions

- Sto-Way Recessed Standard Dimensions (Unit Dimensions Identical for Wood & Metal Configurations): 6.25" x 2.35" x 5.19"
- Sto-Way Surface Standard Dimensions: 11.75" x 2.95" x 2.65"



DESCRIPTION	FINISH	PART NUMBER
-------------	--------	-------------

SURFACE - Corded

• 2 Power w/ 108" Cord	Black Silver Pearl Gloss White Graphite Gray	STS-2-B-108 STS-2-S-108 STS-2-GW-108 STS-2-GG-108
• 2 Power GFCI* w/ 108" Cord	Black Silver Pearl Gloss White Graphite Gray	STS-2GF-B-108 STS-2GF-S-108 STS-2GF-GW-108 STS-2GF-GG-108
• 2 Power 2 USB w/ 108" Cord	Black Silver Pearl Gloss White Graphite Gray	STS-2U-B-108 STS-2U-S-108 STS-2U-GW-108 STS-2U-GG-108
• 2 Power 2 USB-C w/ 108" Cord	Black Silver Pearl Gloss White Graphite Gray	STS-2U2C-B-108 STS-2U2C-S-108 STS-2U2C-GW-108 STS-2U2C-GG-108
• 2 Power 1 USB 1 USB-C w/ 108" Cord	Black Silver Pearl Gloss White Graphite Gray	STS-2UAC-B-108 STS-2UAC-S-108 STS-2UAC-GW-108 STS-2UAC-GG-108

RECESSED - Corded for Metal Lockers

• 2 Power w/ 108" Cord	Black Silver Pearl Gloss White Graphite Gray	STR-2-B-108 STR-2-S-108 STR-2-GW-108 STR-2-GG-108
• 2 Power GFCI* w/ 108" Cord	Black Silver Pearl Gloss White Graphite Gray	STR-2GF-B-108 STR-2GF-S-108 STR-2GF-GW-108 STR-2GF-GG-108
• 2 Power 2 USB w/ 108" Cord	Black Silver Pearl Gloss White Graphite Gray	STR-2U-B-108 STR-2U-S-108 STR-2U-GW-108 STR-2U-GG-108
• 2 Power 2 USB-C w/ 108" Cord	Black Silver Pearl Gloss White Graphite Gray	STR-2U2C-B-108 STR-2U2C-S-108 STR-2U2C-GW-108 STR-2U2C-GG-108
• 2 Power 1 USB 1 USB-C w/ 108" Cord	Black Silver Pearl Gloss White Graphite Gray	STR-2UAC-B-108 STR-2UAC-S-108 STR-2UAC-GW-108 STR-2UAC-GG-108

DESCRIPTION	FINISH	PART NUMBER
-------------	--------	-------------

RECESSED - Corded (for Wood Lockers)

• 2 Power w/ 108" Cord	Black Silver Pearl Gloss White Graphite Gray	STR-W-2-B-108 STR-W-2-S-108 STR-W-2-GW-108 STR-W-2-GG-108
• 2 Power GFCI* w/ 108" Cord	Black Silver Pearl Gloss White Graphite Gray	STR-W-2GF-B-108 STR-W-2GF-S-108 STR-W-2GF-GW108 STR-W-2GF-GG108
• 2 Power 2 USB w/ 108" Cord	Black Silver Pearl Gloss White Graphite Gray	STR-W-2U-B-108 STR-W-2U-S-108 STR-W-2U-GW-108 STR-W-2U-GG-108
• 2 Power 2 USB-C w/ 108" Cord	Black Silver Pearl Gloss White Graphite Gray	STR-W-2U2C-B108 STR-W-2U2C-S108 STR-W-2U2CGW108 STR-W-2U2CGG108
• 2 Power 1 USB 1 USB-C w/ 108" Cord	Black Silver Pearl Gloss White Graphite Gray	STR-W-2UAC-B108 STR-W-2UAC-S108 STR-W-2UACGW108 STR-W-2UACGG108