

FEATURES:

Applications

Bezel / In-Surface (Recessed)
 Surface-Mount (Surface)
 Lockers

Standard Finishes

- Silver Pearl
- Gloss White
- Black
- Graphite Gray



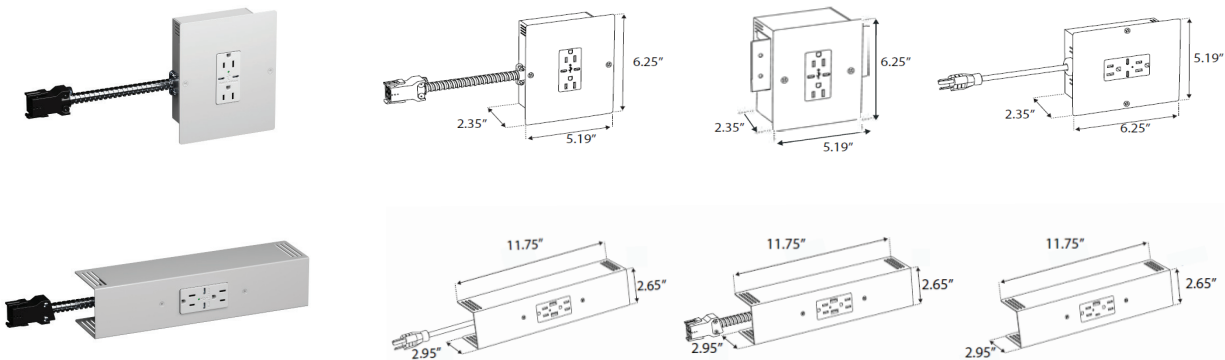
Specifications

- 2 - 15A/120V AC Tamper Resistant Receptacles
- GFCI* Outlets with RESET/TEST Buttons Available
- 5A/25W, 5VDC USB and USB-C Charging Ports (*Available on Select Models*)
- Offered as 2 Mounting-Styles: Recessed-Style for Metal & Wood Surfaces (Flush to Locker Interior); Surface-Style (On-surface of Locker Interior)
- Circuit 1 and 2 Options Available
- Standard 24" Flex Metal Conduit for Recessed Version; Standard 7" Flex Metal Conduit for Surface Version (*Additional Interconnecting Cable Options & Lengths Available - See Last Page of Spec Sheet for Details*)
- ETL Listed for US and Canada

*NOTE: GFCI (Ground-Fault Circuit Interrupter) is a fast-acting circuit breaker designed to shut off electric power in the event of a ground-fault; protecting any persons from receiving shock in the event of being exposed to water. Each outlet has a RESET and TEST button. OSHA Standard.

Dimensions

- Sto-Way Recessed Standard Dimensions (Unit Dimensions Identical for Wood & Metal Configurations: 6.25" x 2.35" x 5.19")
- Sto-Way Surface Standard Dimensions: 11.75" x 2.95" x 2.65"



DESCRIPTION	FINISH	PART NUMBER
-------------	--------	-------------

SURFACE - DaisyLink™

• Circuit 1: 2 Power w/ 7" Flex Metal Conduit	Black Silver Pearl Gloss White Graphite Gray	STS-2-41-B-7 STS-2-41-S-7 STS-2-41-GW-7 STS-2-41-GG-7
• Circuit 1: 2 Power GFCI* w/ 7" Flex Metal Conduit	Black Silver Pearl Gloss White Graphite Gray	STS-2GF-41-B-7 STS-2GF-41-S-7 STS-2GF-41-GW7 STS-2GF-41-GG7
• Circuit 1: 2 Power 2 USB w/ 7" Flex Metal Conduit	Black Silver Pearl Gloss White Graphite Gray	STS-2U-41-B-7 STS-2U-41-S-7 STS-2U-41-GW-7 STS-2U-41-GG-7
• Circuit 1: 2 Power 2 USB-C w/ 7" Flex Metal Conduit	Black Silver Pearl Gloss White Graphite Gray	STS-2U2C-41-B-7 STS-2U2C-41-S-7 STS-2U2C-41-GW-7 STS-2U2C-41-GG-7
• Circuit 1: 2 Power 1 USB & 1 USB-C w/ 7" Flex Metal Conduit	Black Silver Pearl Gloss White Graphite Gray	STS-2UAC-41-B-7 STS-2UAC-41-S-7 STS-2UAC-41-GW-7 STS-2UAC-41-GG-7

SURFACE- DaisyLink™ - No Whip

• Circuit 1: 2 Power	Black Silver Pearl Gloss White Graphite Gray	STS-2-41-B STS-2-41-S STS-2-41-GW STS-2-41-GG
• Circuit 1: 2 Power GFCI*	Black Silver Pearl Gloss White Graphite Gray	STS-2GF-41-B STS-2GF-41-S STS-2GF-41-GW STS-2GF-41-GG
• Circuit 1: 2 Power 2 USB	Black Silver Pearl Gloss White Graphite Gray	STS-2U-41-B STS-2U-41-S STS-2U-41-GW STS-2U-41-GG
• Circuit 1: 2 Power 2 USB-C	Black Silver Pearl Gloss White Graphite Gray	STS-2U2C-41-B STS-2U2C-41-S STS-2U2C-41-GW STS-2U2C-41-GG
• Circuit 1: 2 Power 1 USB 1 USB-C	Black Silver Pearl Gloss White Graphite Gray	STS-2UAC-41-B STS-2UAC-41-S STS-2UAC-41-GW STS-2UAC-41-GG

NOTE: For Circuit 2 options, replace "41" with "42" in Part Number. See Below for DaisyLink Starter & Interconnecting Cable Options.

DESCRIPTION	FINISH	PART NUMBER
-------------	--------	-------------

RECESSED - DaisyLink™ (for Metal Lockers)

• Circuit 1: 2 Power w/ 24" Flex Metal Conduit	Black Silver Pearl Gloss White Graphite Gray	STR-2-41-B-24 STR-2-41-S-24 STR-2-41-GW-24 STR-2-41-GG-24
• Circuit 1: 2 Power GFCI* w/ 24" Flex Metal Conduit	Black Silver Pearl Gloss White Graphite Gray	STR-2GF-41-B-24 STR-2GF-41-S-24 STR-2GF-41-GW24 STR-2GF-41GG24
• Circuit 1: 2 Power 2 USB w/ 24" Flex Metal Conduit	Black Silver Pearl Gloss White Graphite Gray	STR-2U-41-B-24 STR-2U-41-S-24 STR-2U-41-GW-24 STR-2U-41-GG-24
• Circuit 1: 2 Power 2 USB-C w/ 24" Flex Metal Conduit	Black Silver Pearl Gloss White Graphite Gray	STR-2U2C-41-B24 STR-2U2C-41-S24 STR-2U2C-41GW24 STR-2U2C-41GG24
• Circuit 1: 2 Power 1 USB 1 USB-C w/ 24" Flex Metal Conduit	Black Silver Pearl Gloss White Graphite Gray	STR-2UAC-41-B24 STR-2UAC-41-S24 STR-2UAC-41GW24 STR-2UAC-41GG24

RECESSED - DaisyLink™ - No Whip (for Metal Lockers)

• Circuit 1: 2 Power	Black Silver Pearl Gloss White Graphite Gray	STR-2-41-B STR-2-41-S STR-2-41-GW STR-2-41-GG
• Circuit 1: 2 Power GFCI*	Black Silver Pearl Gloss White Graphite Gray	STR-2GF-41-B STR-2GF-41-S STR-2GF-41-GW STR-2GF-41-GG
• Circuit 1: 2 Power 2 USB	Black Silver Pearl Gloss White Graphite Gray	STR-2U-41-B STR-2U-41-S STR-2U-41-GW STR-2U-41-GG
• Circuit 1: 2 Power 2 USB-C	Black Silver Pearl Gloss White Graphite Gray	STR-2U2C-41-B STR-2U2C-41-S STR-2U2C-41-GW STR-2U2C-41GG
• Circuit 1: 2 Power 1 USB 1 USB-C	Black Silver Pearl Gloss White Graphite Gray	STR-2UAC-41-B STR-2UAC-41-S STR-2UAC-41-GW STR-2UAC-41-GG

NOTE: For Circuit 2 options, replace "41" with "42" in Part Number. See Below for DaisyLink Starter & Interconnecting Cable Options.

DESCRIPTION	FINISH	PART NUMBER
RECESSED - DaisyLink™ (for Wood Lockers)		
• Circuit 1: 2 Power w/ 24" Flex Metal Conduit	Black Silver Pearl Gloss White Graphite Gray	STR-W-2-41-B24 STR-W-2-41-S24 STR-W-2-41GW24 STR-W-2-41GG24
• Circuit 1: 2 Power GFCI* w/ 24" Flex Metal Conduit	Black Silver Pearl Gloss White Graphite Gray	STR-W-2GF-41B24 STR-W-2GF-41S24 STR-W-2GF41GW24 STR-W-2GF41GG24
• Circuit 1: 2 Power 2 USB w/ 24" Flex Metal Conduit	Black Silver Pearl Gloss White Graphite Gray	STR-W-2U-41-B24 STR-W-2U-41-S24 STR-W-2U-41GW24 STR-W-2U-41GG24
• Circuit 1: 2 Power 2 USB-C w/ 24" Flex Metal Conduit	Black Silver Pearl Gloss White Graphite Gray	STR-W-2U2C41B24 STR-W-2U2C41S24 STR-W2U2C41GW24 STR-W2U2C41GG24
• Circuit 1: 2 Power 1 USB 1 USB-C w/ 24" Flex Metal Conduit	Black Silver Pearl Gloss White Graphite Gray	STR-W-2UAC41B24 STR-W-2UAC41S24 STR-W2UAC41GW24 STR-W2UAC41GG24

RECESSED - DaisyLink™- No Whip (for Wood Lockers)

• Circuit 1: 2 Power	Black Silver Pearl Gloss White Graphite Gray	STR-W-2-41-B STR-W-2-41-S STR-W-2-41-GW STR-W-2-41-GG
• Circuit 1: 2 Power GFCI*	Black Silver Pearl Gloss White Graphite Gray	STR-W-2GF-41-B STR-W-2GF-41S STR-W-2GF-41-GW STR-W-2GF41-GG
• Circuit 1: 2 Power 2 USB	Black Silver Pearl Gloss White Graphite Gray	STR-W-2U-41-B STR-W-2U-41-S STR-W-2U-41-GW STR-W-2U-41-GG
• Circuit 1: 2 Power 2 USB-C	Black Silver Pearl Gloss White Graphite Gray	STR-W-2U2C-41-B STR-W-2U2C-41-S STR-W-2U2C-41GW STR-W-2U2C-41GG
• Circuit 1: 2 Power 1 USB 1 USB-C	Black Silver Pearl Gloss White Graphite Gray	STR-W-2UAC-41-B STR-W-2UAC-41-S STR-W-2UAC-41GW STR-W-2UAC-41GG

NOTE: For Circuit 2 options, replace "41" with "42" in Part Number.
See Below for DaisyLink Starter & Interconnecting Cable Options.

DESCRIPTION	FINISH	PART NUMBER
Starter & Interconnecting Cable Options		
• Female/Female Interconnecting Cable	12" -180" Cable	42-FF-Length*
• Female/Male Interconnecting Cable	12"-180" Cable	42FM-Length*
• Hardwire Starter Cable	12"-180" Cable	42SB2-Length*
• T-Connector used to branch into different directions	Black	Daisy-T
• DaisyLink Nylon Black Cable Covers - Add "B" to cabling part number	Black	Cable Covers "B"

Specify in increments of 1" Cable Lengths in Part Number.
Cable Lengths Minimum of 12" - 180" Maximum.