

UDT SERIES

FEATURES:

Applications

Bezel / In- Surface (Side Mount)
Under-mount (Top Mount)

Standard Finishes

Black 
Grey 



Specifications

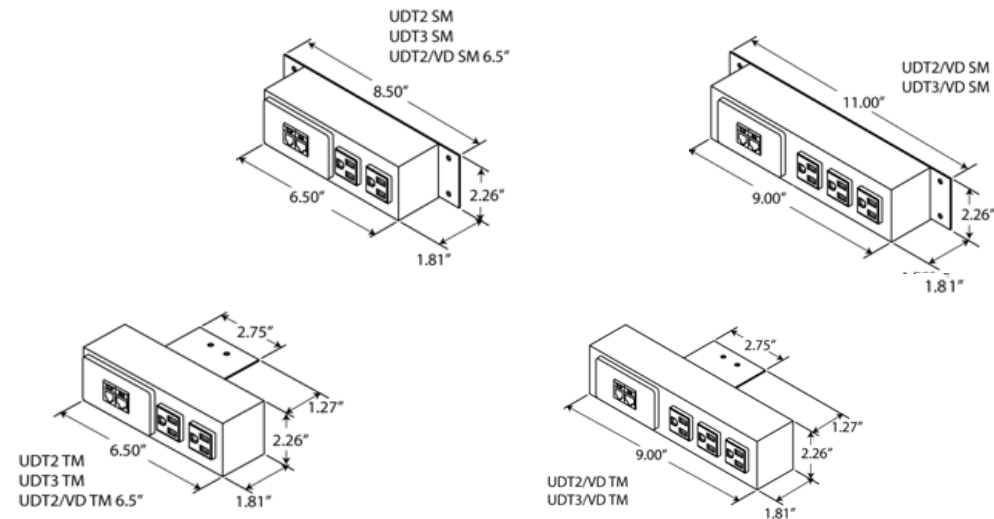
- 2-3 - 15A, 120V AC Power Receptacles
- 1 Telecom Plate Knockout - Fully Customizable (Available on Select Models; Purchased Separately)
- Corded Options

- Standard Cord Length: 72"
- Recommended Table Thickness: 0.75" - 2"
- 6.50" & 9" Unit Configurations
- UL Listed for US and Canada

Dimensions

- UDT2 TM, UDTM3 TM & UDT2/VD TM 6.5" Dimensions: 6.50" x 1.81" x 2.26"
- UDT2/VD TM & UDT3/VD TM Dimensions: 9" x 1.81" x 2.26"

- UDT2 SM, UDT3 SM & UDT2/VD SM 6.5" Dimensions: 6.50" x 1.81" x 2.26"
- UDT2/VD SM & UDT3/VD SM Dimensions: 9" x 1.81" x 2.26"



DESCRIPTION

FINISH

PART NUMBER

UDT Under Mount (Top Mount)

- Under desk unit, 2 power, top mount with 72" Cord, 6 1/2" Black UDT2 TM
- Under desk unit, 2 power, cutout for telecom plate, top mount with 72" Cord, 6 1/2" Black UDT2/VD TM 6 1/2"
- Under desk unit, 3 power, top mount with 72" Cord, 6 1/2" Black UDT3 TM
- Under desk unit, 3 power, knockout for telecom plate, top mount with 72" Cord, 9" Black UDT3/VD TM

UDT Bezel/In -surface (Side Mount)

- Under desk unit, 2 power, side mount with 72" Cord, 6 1/2" Black UDT2 SM
- Under desk unit, 2 power, knockout for telecom plate, side mount with 72" Cord, 6 1/2" Black UDT2/VD SM 6 1/2"
- Under desk unit, 3 power, side mount with 72" Cord, 6 1/2" Black UDT3 SM
- Under desk unit, 3 power, knockout for telecom plate, side mount with 72" Cord, 9" Black UDT3/VD SM