

STUDIO

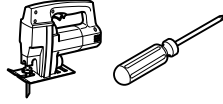
BY DEKKO 2505 Dekko Drive
Garrett, IN 46738
Customer Service: 800.357.5622

STAFFORD

(Patent Pending)
- Corded -
Surface Mounting
[Installation Instruction](#)

This device complies with part 15A of the FCC Rules. Operation is subject to the following two conditions: (1) This device may not cause harmful interference, and (2) this device must accept any interference received, including interference that may cause undesired operation.

Tools Required



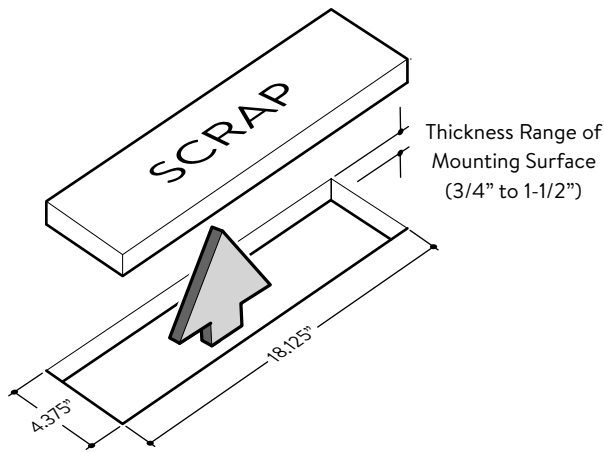
* SPECIAL NOTE *

Optional MAAP connector options will need to be purchased from Extron.

1 Cutout Opening for Stafford Assembly

* NOTE *

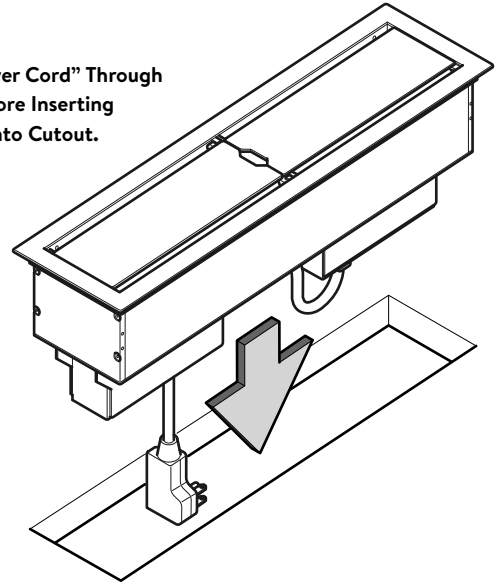
Max Radius on Cutout Corners is 1/4"



2 Install Stafford Assembly into Cutout

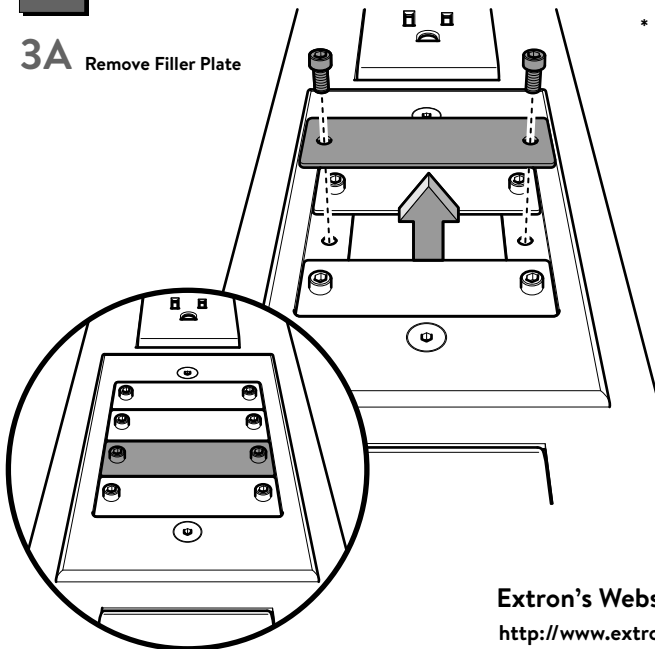
* NOTE *

Route "Power Cord" Through Cutout Before Inserting Assembly into Cutout.



3 Install Video/Data Connection Point

3A Remove Filler Plate

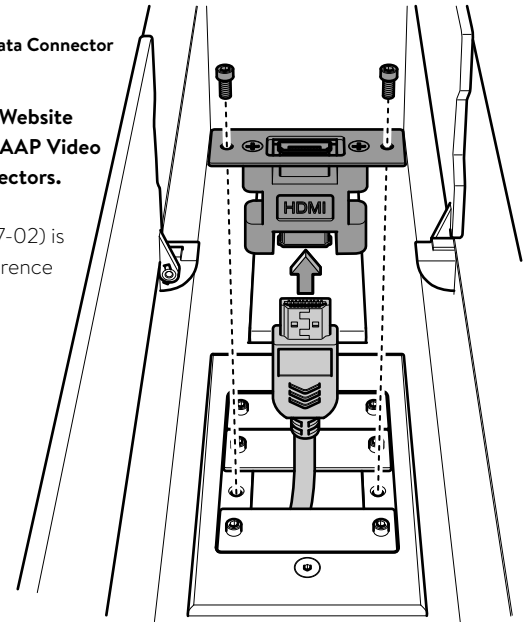


3B Install Video/Data Connector

* NOTE *

See "Extron's" Website for Available MAAP Video and Data Connectors.

HDMI - (70-617-02) is Shown for Reference



Extron's Website Address for MAAP Connectors

<http://www.extron.com/company/article.aspx?id=aapmaap&subtype=aapmaap&s=3>

E.C.N. No: GD17-003485

Part Number: G110222

Page Number: 1 of 2

Revision: D



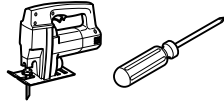
2505 Dekko Drive
Garrett, IN 46738
Customer Service: 800.357.5622

STAFFORD

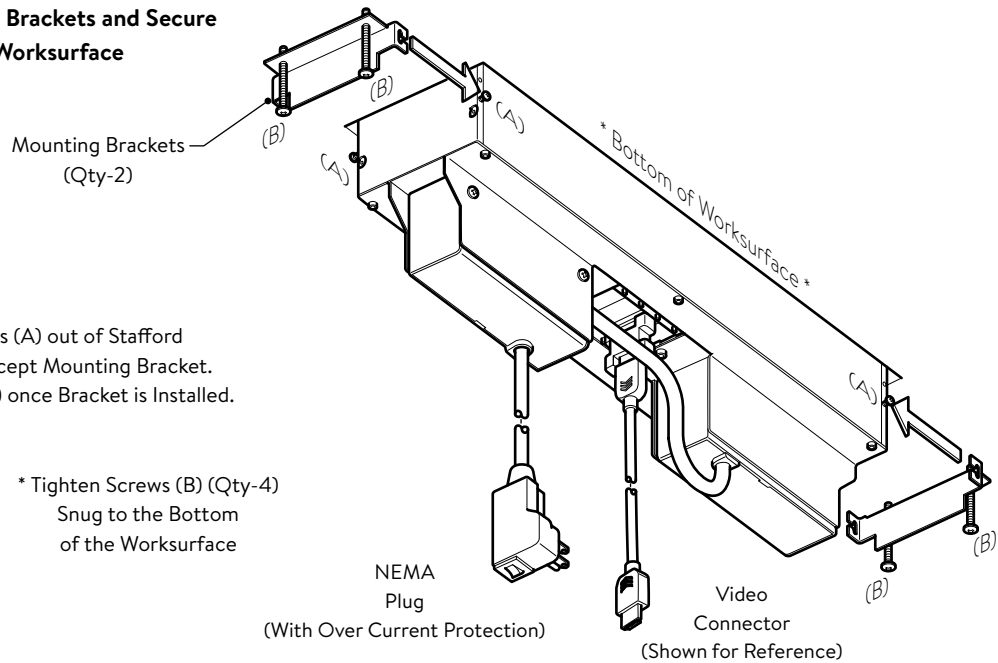
(Patent Pending)
- Corded -
Surface Mounting
[Installation Instruction](#)

This device complies with part 15A of the FCC Rules. Operation is subject to the following two conditions: (1) This device may not cause harmful interference, and (2) this device must accept any interference received, including interference that may cause undesired operation.

Tools Required



4 Attach Mounting Brackets and Secure Stafford Unit to Worksurface



5 Route Power Cord to Nearest Power Distribution Source

* NOTE *

Route Video/Data cables to appropriate device or distribution source.

