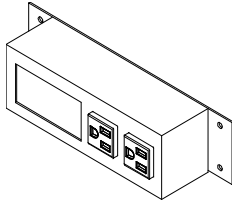


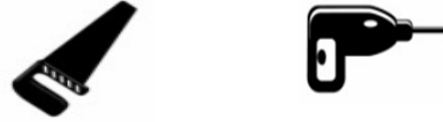
UDT SM INSTALLATION

Components & Hardware



(A) UDT SM*
Qty 1

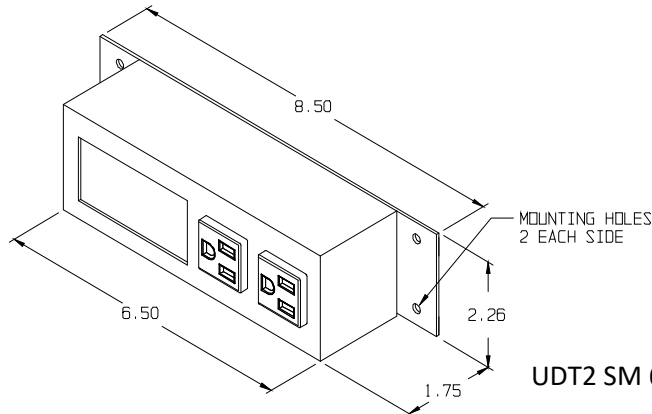
Tools Needed



*UDT2/VD SM 6½" shown

Use care screws do not pierce finished work surface

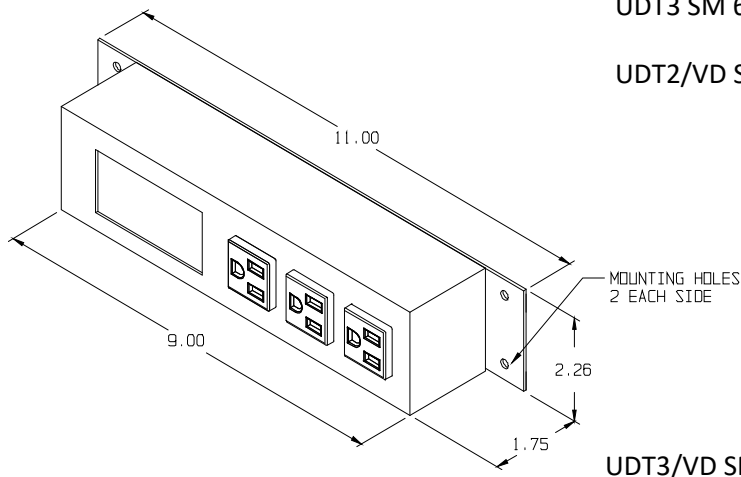
- 1-** Provide cutout, if required, based on sizes below at location UDT SM (A) is to be mounted.
- 2-** Place UDT SM into position and secure with screws# (not provided) through mounting holes
- 3-** Connect power cord to power.
- 4-** Connect any data that may be required as needed.



UDT2 SM 6½"

UDT3 SM 6½"

UDT2/VD SM 6½"



UDT3/VD SM 9"