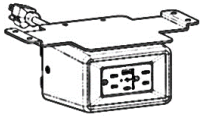


DEPARTURE UNDER MOUNT INSTALLATION

Components & Hardware



(A) DEP-FL8-2XX-S96



(B) #10 X .75" WOOD SCREWS, QTY 4

Tools Needed



or



Note: Surface Thickness: 3/4" or greater with supplied mounting hardware. *Take care not to pierce finished surfaces.

Installation Instructions:

- 1-** Determine the power unit's mounting location (A) and prepare surface. Attach to surface using screws provided (B)*.
- 2-** Be sure not to pierce top side of surface. (FIG 1), (shorter screws may be required)
- 3-** Position the power unit under mounting surface with small recess to the front edge as shown in (FIG 2)
- 4-** Attach power cord to a power supply or next unit as needed.

****Interconnecting power supply cords shall not be located on the floor surfaces or travelers waiting spaces.**

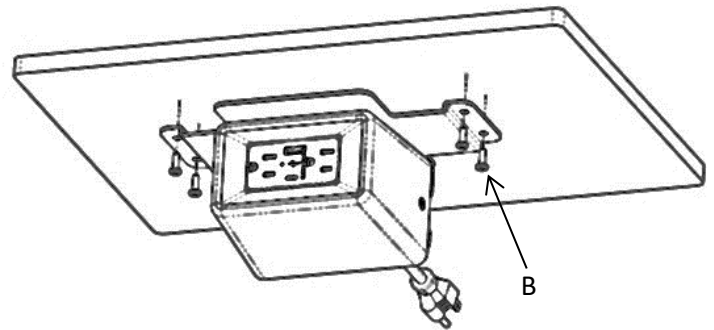
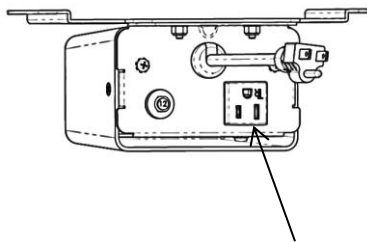
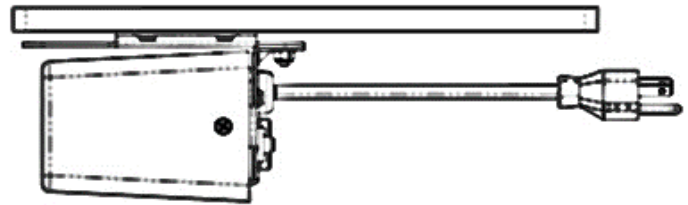


FIG 1



COVENIENCE OUTLET



NOTE: A furniture Power Distribution Unit is not for permanent installation as part of the building structure and not for mounting in permanently-installed furnishing such as a fixed countertop.

10 Mountain View Drive | Shelton, CT 06484 | P: 800-521-3175 | www.electri-cable.com